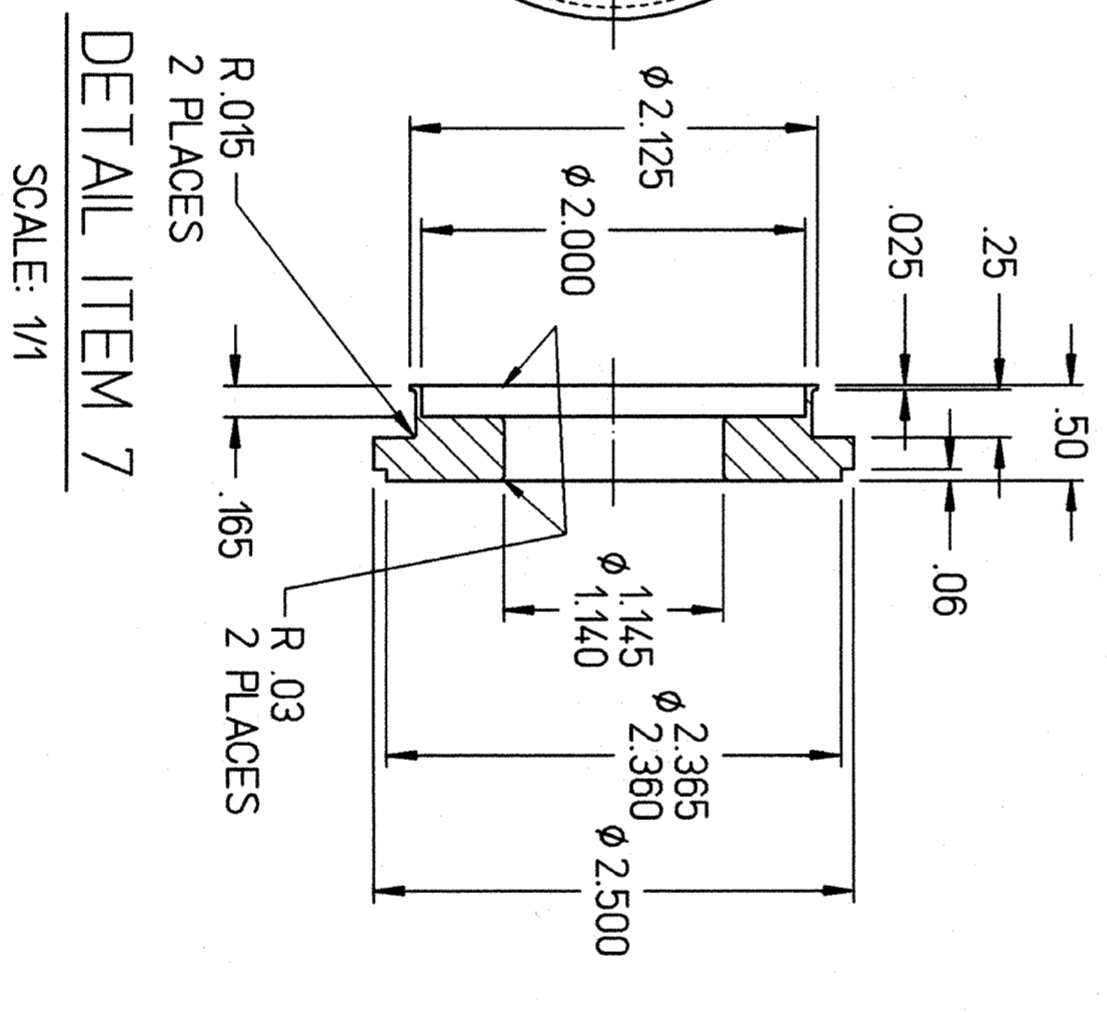
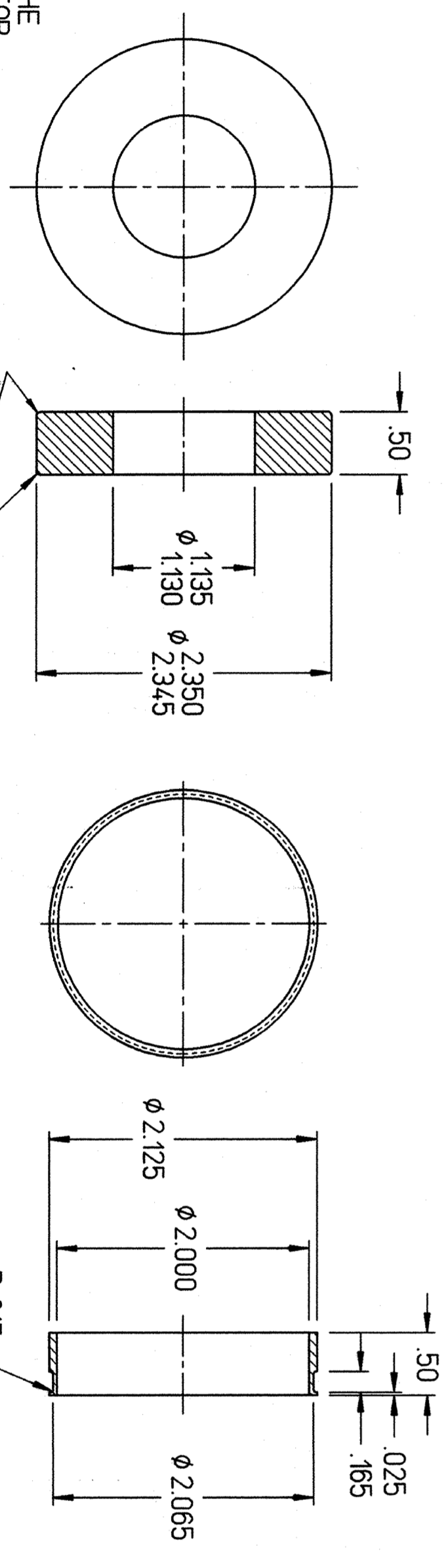


DETAIL ITEM 1
SCALE: 1/1



DETAIL ITEM 7
SCALE: 1/1



DETAIL ITEM 8
SCALE: 1/1

DETAIL ITEM 6
SCALE: 1/1

NOTES:

- 1) HELIUM LEAK TEST: NO LEAK SHALL BE DETECTABLE ON THE MOST SENSITIVE SCALE OF A HELIUM LEAK DETECTOR WITH A MINIMUM SENSITIVITY OF 10-9 CC/SEC.
- 2) ALL PARTS MUST BE CLEANED, FREE FROM GREASE, OIL OR ANY OTHER CONTAMINANTS PRIOR TO ASSEMBLY.

QTY	ITEM	PART NO.	DESCRIPTION	MATERIAL	NOTES
2	8	-	CENTERING RING	-	-
1	7	-	BELLOWS/TUBE ADAPTER	-	-
1	6	-	BELLOWS/FLANGE ADAPTER	-	-
1	5	-	TUBE 2.50 OD x .085 W x 29.13 LG	STAINLESS STEEL TYPE 304	-
1	4	-	TUBE 1.125 OD x .049 W x 32.00 LG	STAINLESS STEEL TYPE 304	-
1	3	MEX, INC. P/N 200125F-18	WELDED BELLOWS 1.995 OD x 1.25 ID x 12.00 STROKE	-	-
1	2	MDC PT NO 100023	DEL-SEAL (CF) FLANGE 4-1/2 OD x 2.50 ID ROTATABLE W/ THRU HOLES	-	-
1	1	MDC PT NO 110018	DEL-SEAL (CF) FLANGE 4-1/2 OD NON-ROTATABLE BLANK W/ THRU HOLES	-	-

DOCUMENT CONTROL STAMP

FINISH: UNLESS OTHERWISE SPECIFIED, ALL SHARP EDGES DEBURR & BREAK

DO NOT SCALE DRAWING

TRACKING NO. WBS/6/ZDRCKY/66000 /390/06881003951

HALL B THOMAS JEFFERSON NATIONAL ACCELERATOR FACILITY