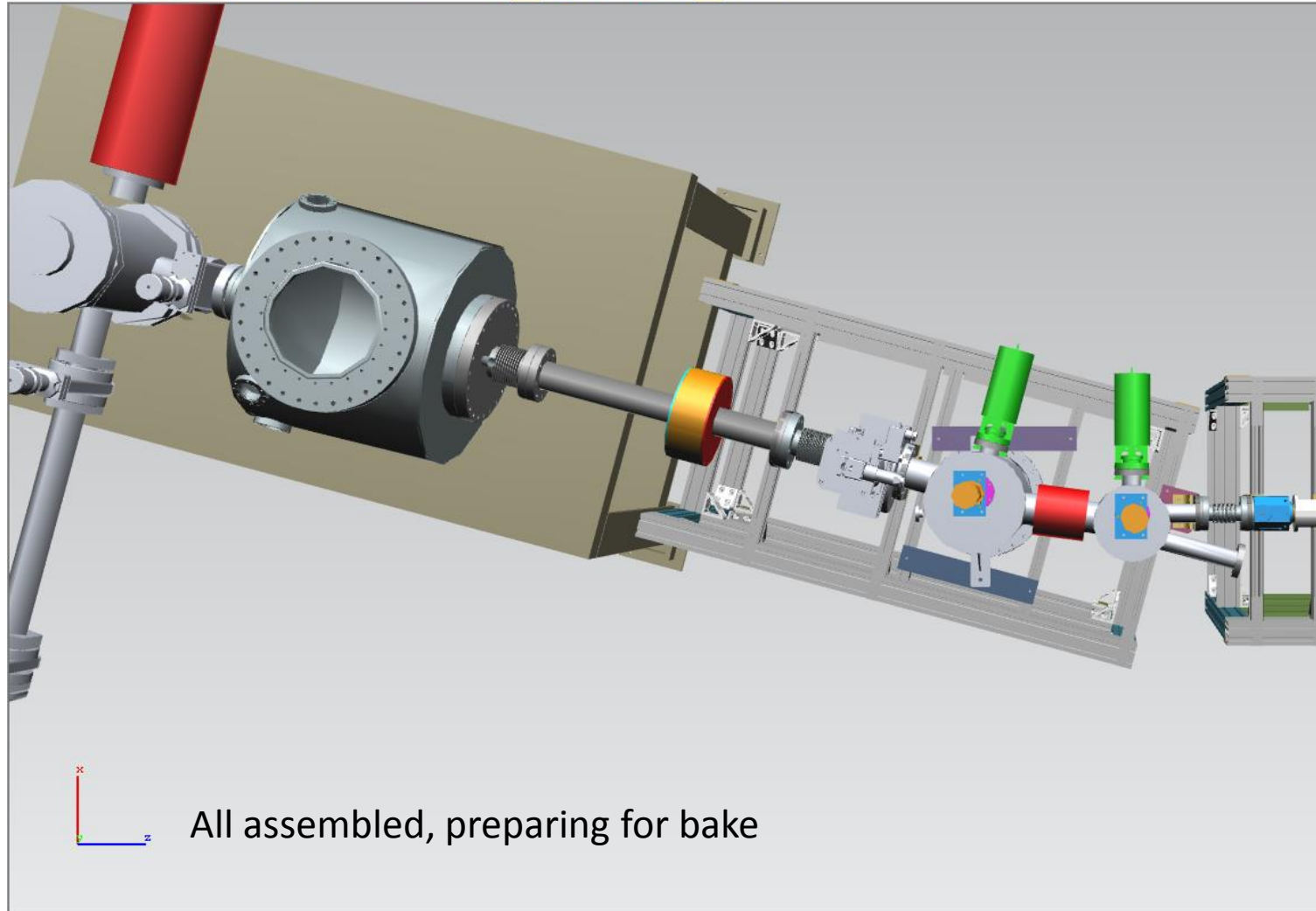
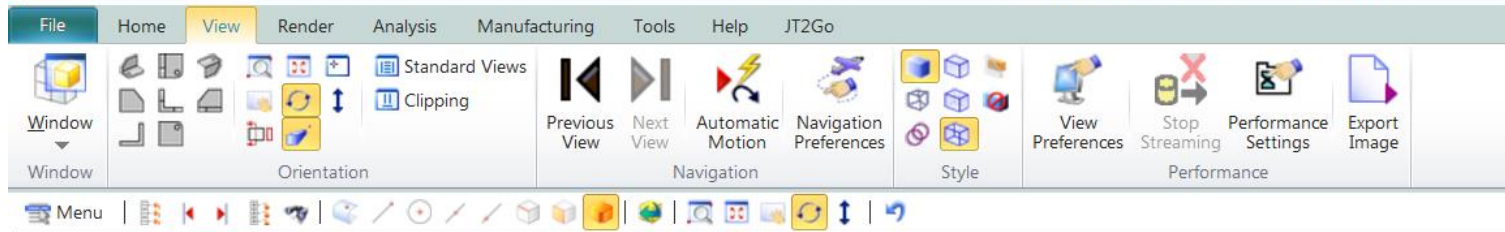
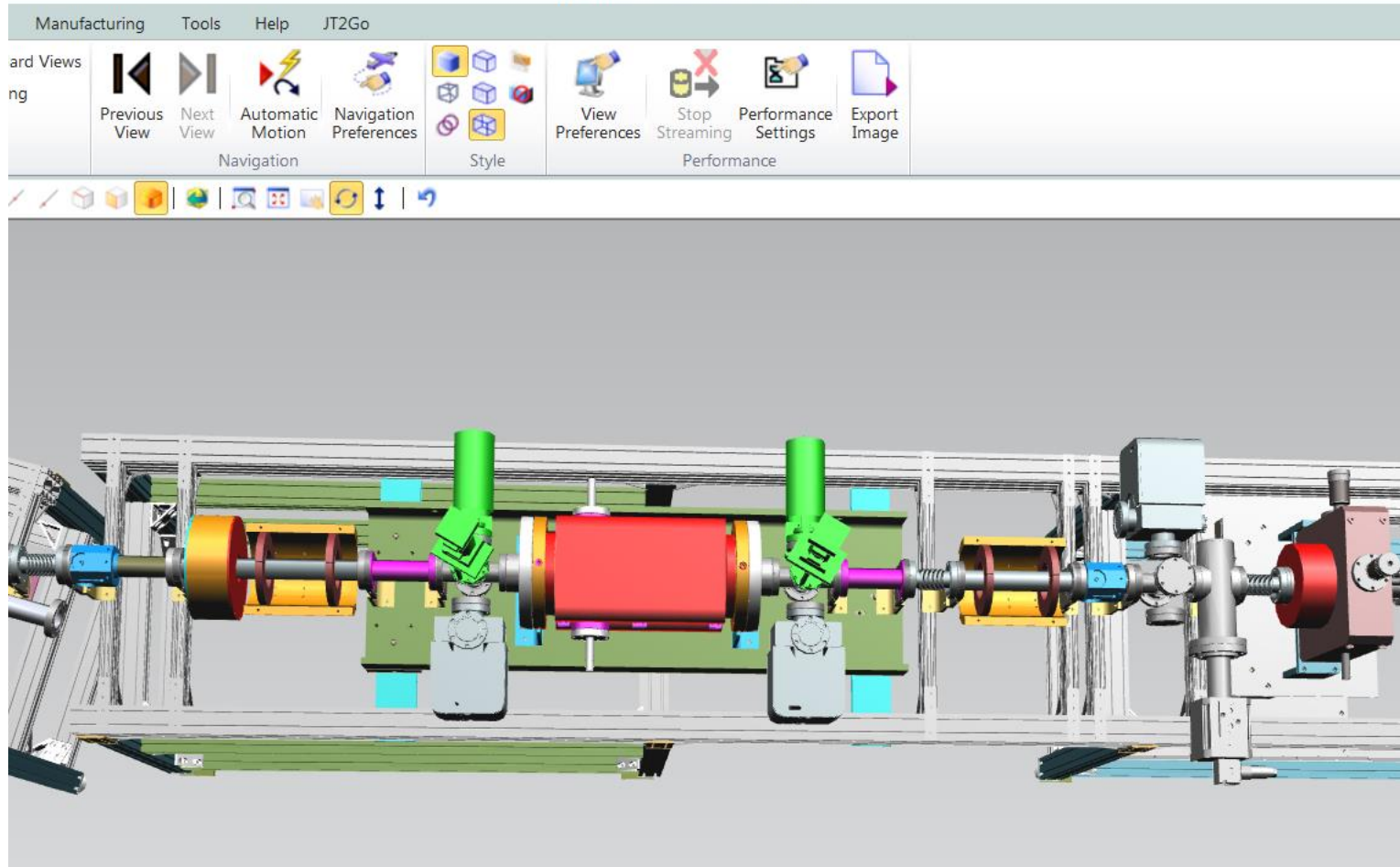


keV beamline 14 July 2016

What we have and what is coming



All assembled, preparing for bake



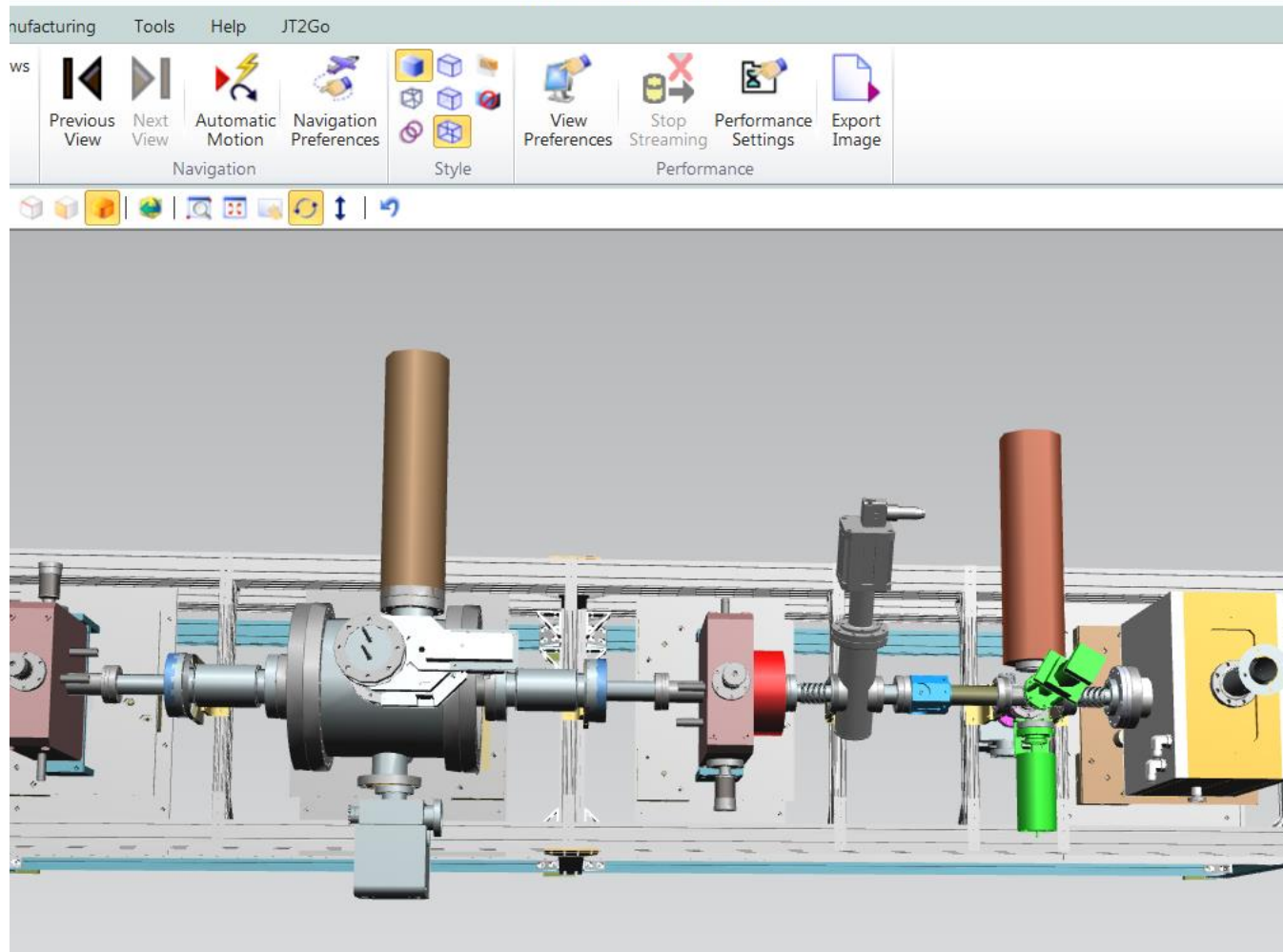
Wien replaced by spool.

Waiting on BPMs

Valves, viewers, ion pumps all good.

Do not have double knife edges, zero length adapters ordered for Wien

What/Where is IFYK203 Wien current monitoring?



Chopping chamber, slit status? A3 status?

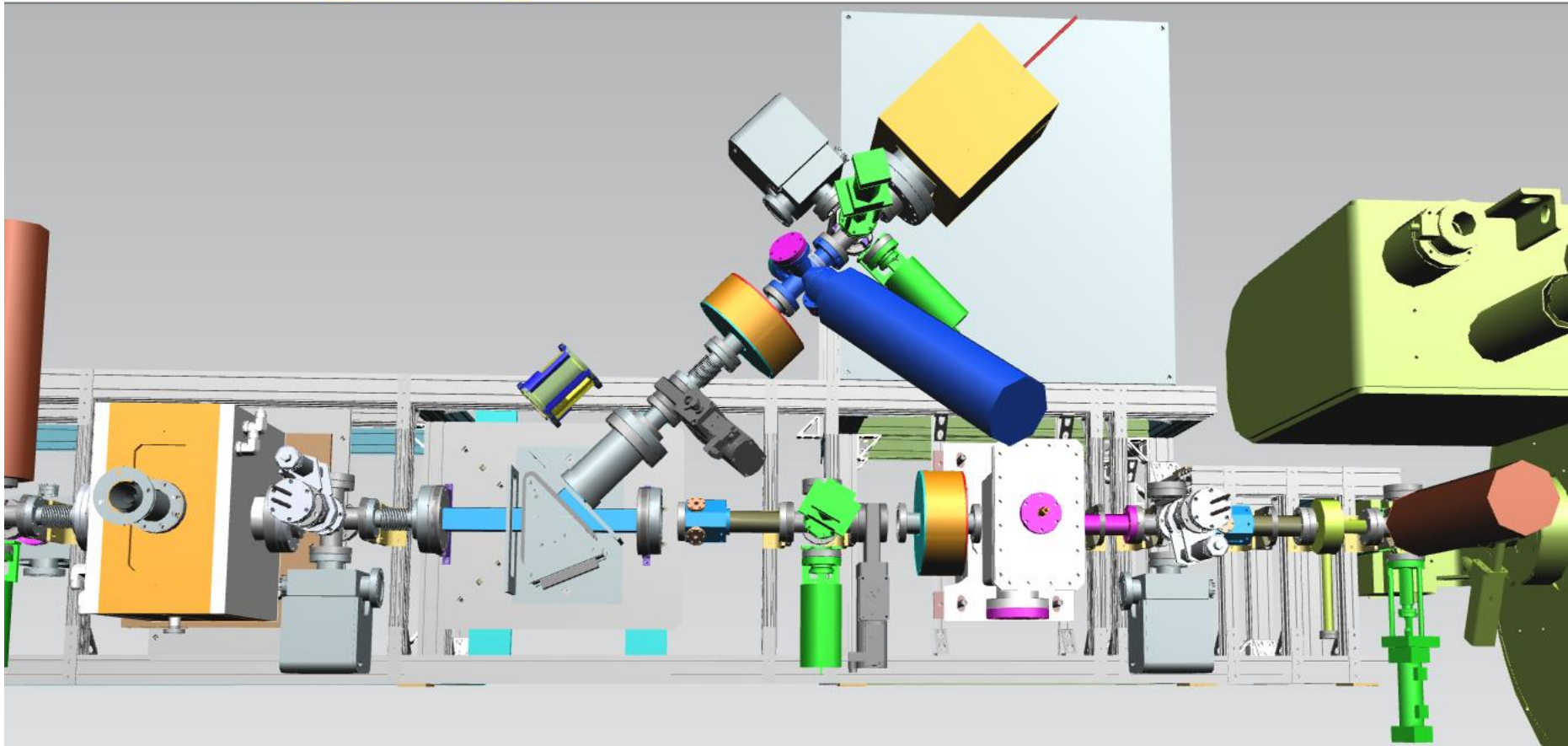
Chopper viewer: 1" or 2" screen (have 1" available if we skip one Wien viewer)

1 bellows arrived, one still on order.

Buncher, choppers, solenoids in place

Valves available.

Waiting on BPMs



DP can still on order.

Bend chamber in progress

BPMs still on order

YAO chamber status?

Viewers, harps, valves ready to go

Spoolpieces may be adjusted during assembly to fit

Faraday cup somewhere in here?

- Valves
 - Installed
 - K201
 - On Hand (manual 2.75)
 - K301, K401 (chopper)
 - On Hand (pneumatic 2.75)
 - K501 (dump)
 - M101 (Before QCM)
- Ion pumps
 - All arrived
 - Potential issue with 25 L/s IP? (where is that located)
- DP cans
 - Narrow DP can before quarter on order
- Dipole chambers
 - Y chamber installed
 - Wien: later
 - 45 degree dump bend on hand

- Captured Solenoids
 - MFHK101: NEG tube installed
 - MFB2K02: Wien installed
 - MFAK301, MFAK302 chopping in progress
 - MFAK303 buncher installed
 - MFAK403 to cryounit - not captured?

- Viewers

1. K201 hole installed
2. K201A after bend installed, Chromox
3. K202 wien upstream
4. K203 wien downstream
 1. Use Chromox/hole temp?
5. K302 chopper long assy
6. K401 before buncher
7. K402 before DP
8. K403 before cryounit
9. K501 dump line

Green: Phil has 3Chromox

Blue: Tony has 3Chromox,
1 uncoated YAG

- Harp K501
 - existing from old beamline
 - BPMs: arriving Aug 5?
 - YAO Cavity ICBK403
- Matt has 2, Need leak checks

Current monitoring

- ~~IFYK203 Wien FC~~
- ISLK302 chopping slit
- IMSK302 chopping master
- IFYK401 buncher FC - have
- ISLK401 A3 aperture
- ISLK403 A4 aperture
- IDLK501 keV dump - have

All on hold?