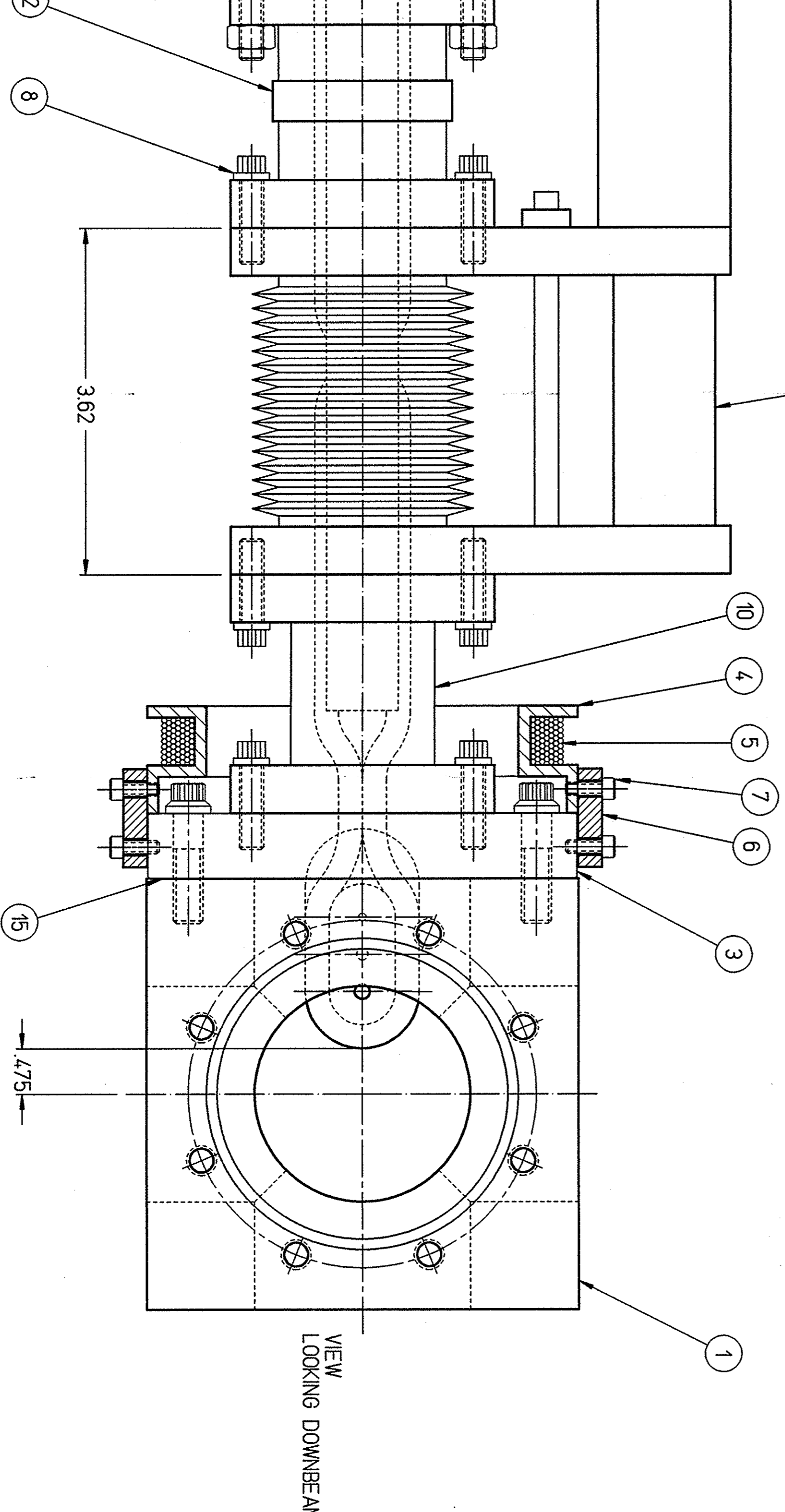
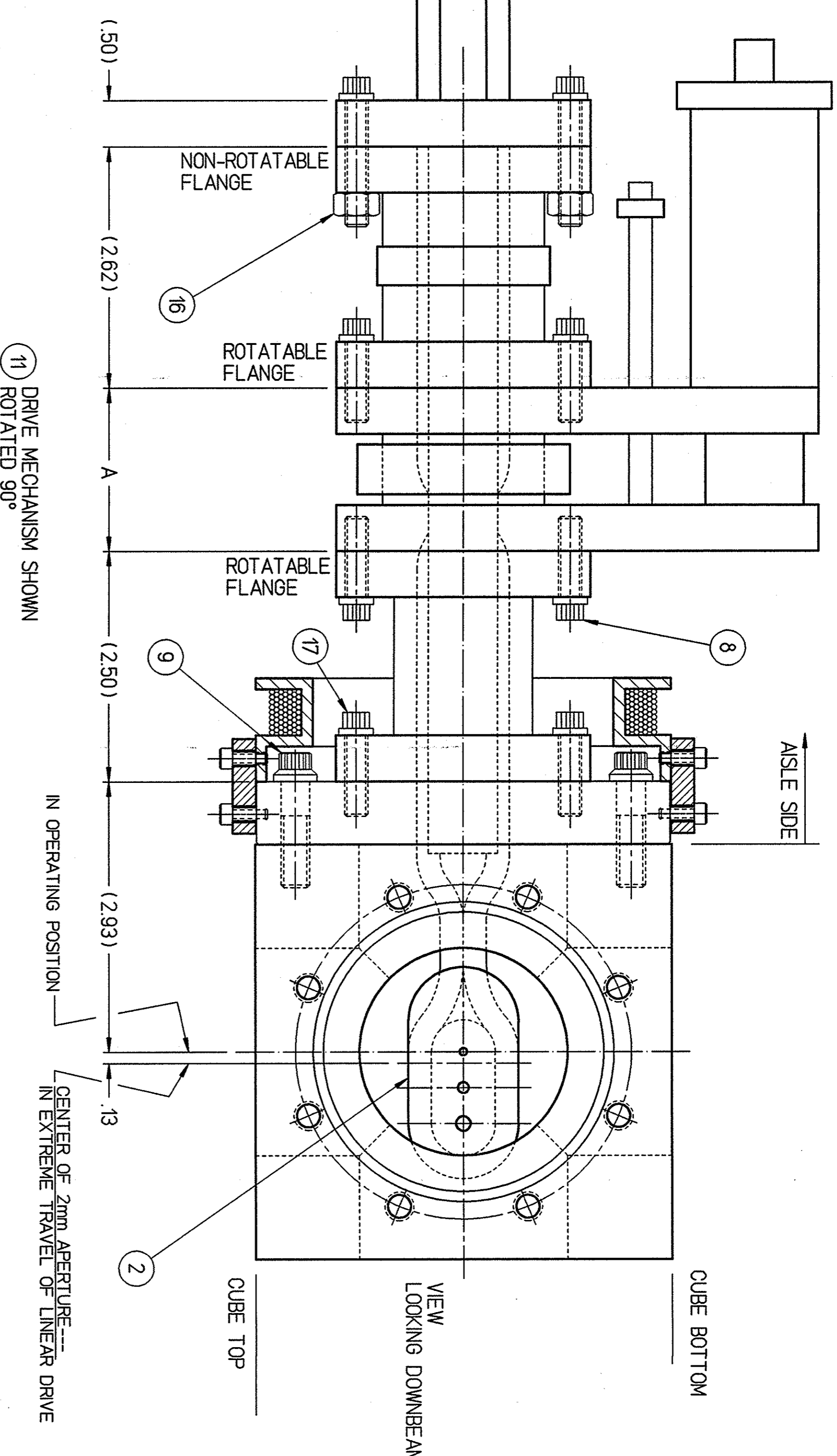


1 MDC VACUUM PROD. INC.
 (OR CERAF APPROVED EQUIP.)
 23842 CABOT BLVD
 HAYWARD CALIF. 94545-1651
 TEL. 415-887-5100
 800-443-8817

2 VACUUM GENERATORS INC.
 SUITE 439G, 100 CUMMINGS CENTER
 BEVERLY, MA 01915
 TEL. 978-921-8885

3. USE THE FOLLOWING CERAF SPECS
 FABRICATION OF UHV VACUUM EQUIPMENT #22693-S-001
 CLEANING & HANDLING OF UHV COMPONENTS #22693-S-001
 HELIUM LEAK TEST OF UHV COMPONENTS #22694-S-001
 QA REQUIREMENTS FOR BEAM TRANSPORT COMPONENTS #9284-200-1

DIM 'A'	CONDITION
1.65"	APERTURE BLOCK AT MINIMUM HT.
1.77"	2mm APERTURE IN USE
2.16"	3mm APERTURE IN USE
2.56"	4mm APERTURE IN USE
3.62"	APERTURE BLOCK AT MAXIMUM HT.



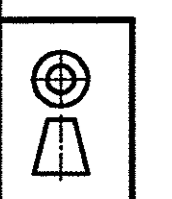
QTY	ITEM	PART OR IDENTIFYING NO.	DESCRIPTION	MATERIAL	NOTES
6	17		25-28 UNF x 875 LONG 12 PT HEAD BOLT WITH FLATWASHER	STAINLESS STEEL SILVER PLATED	
6	16		25-28 UNF HEX NUT	SILICON BRONZE	
1	15		4 1/2 CONEFLAT GASKET	SILVER PLATED COPPER	
4	14		2 3/4 CONEFLAT GASKET	SILVER PLATED COPPER	
6	13		25-28 UNF x 125 LONG 12 PT HEAD BOLT WITH FLATWASHER	STAINLESS STEEL	
1	12		CERAMIC BREAK		
1	11		LINEAR TRANSFER MECHANISM		
1	10		58432-B-0976 SPOOL		
8	9		3/24 UNF x 112 LONG 12 PT HEAD BOLT WITH FLATWASHER	STAINLESS STEEL SILVER PLATED	
12	8		M6 x 25mm 12PT HEAD BOLT WITH FLATWASHER	STAINLESS STEEL SILVER PLATED	
8	7		#6-32 UNC x .375 LONG SOCKET HEAD CAP SCREW	STAINLESS STEEL SILVER PLATED	
4	6		58432-B-0977 MAGNET RETAINING CLIP		
1	5		APERTURE #1 COIL WINDINGS	#16 GAUGE COPPER/ KAPTON APPROX 60 TURNS	
1	4		39200-C-0213 APERTURE #1 COIL		
1	3		58432-B-0975 MODIFIED 4 1/2 ADAPTOR FLANGE		
1	2		58432-D-0965 APERTURE #1 SUB-ASSEMBLY		
1	1		MDC P/N 408003 6 WAY, 4 1/2" OF CUBE	(STAINLESS STEEL)	

DIM & TOL PER ASSEMBLY DRAWING
 DIMENSIONS ARE IN INCHES
 FRACTIONS DECIMAL & N/A
 ± N/A XXX ± N/A

FINISH: N/A UNLESS OTHERWISE SPECIFIED
 DEBURR & BREAK ALL SHARP EDGES
 DO NOT SCALE DRAWING

CADD ID NO: 584320974
 APPROVALS: DATE
 DRAWN: CHRIS GRAYNES 4/18/02
 CHECKED: MDC 2/19/02
 APPROVED: 2/19/02

SIZE/DWG. NO.: 58432-D-0974
 USED ON ASSY NO.: N/A
 SHEET 1 OF 1



8
 7
 6
 5
 4
 3
 2
 1