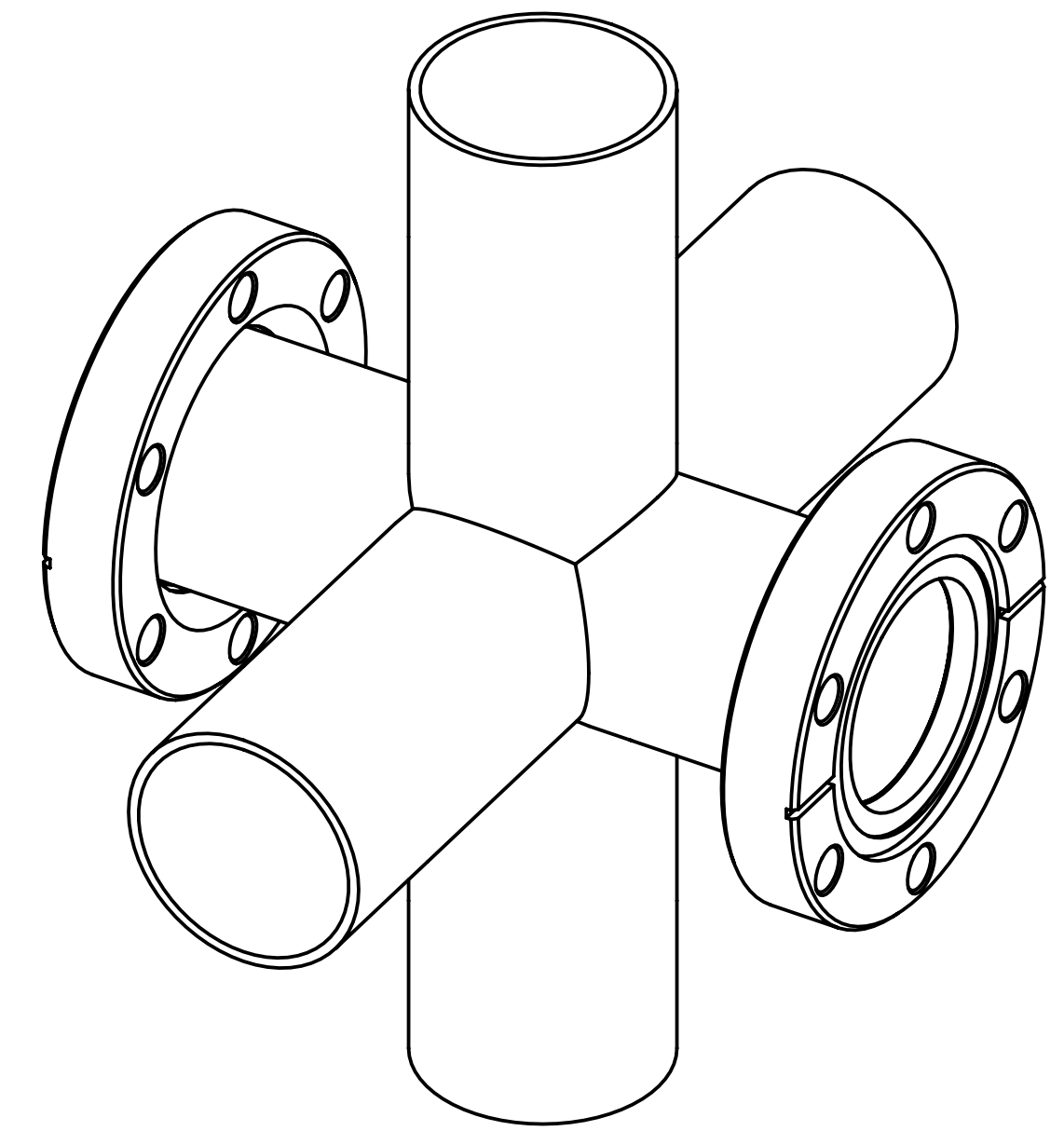
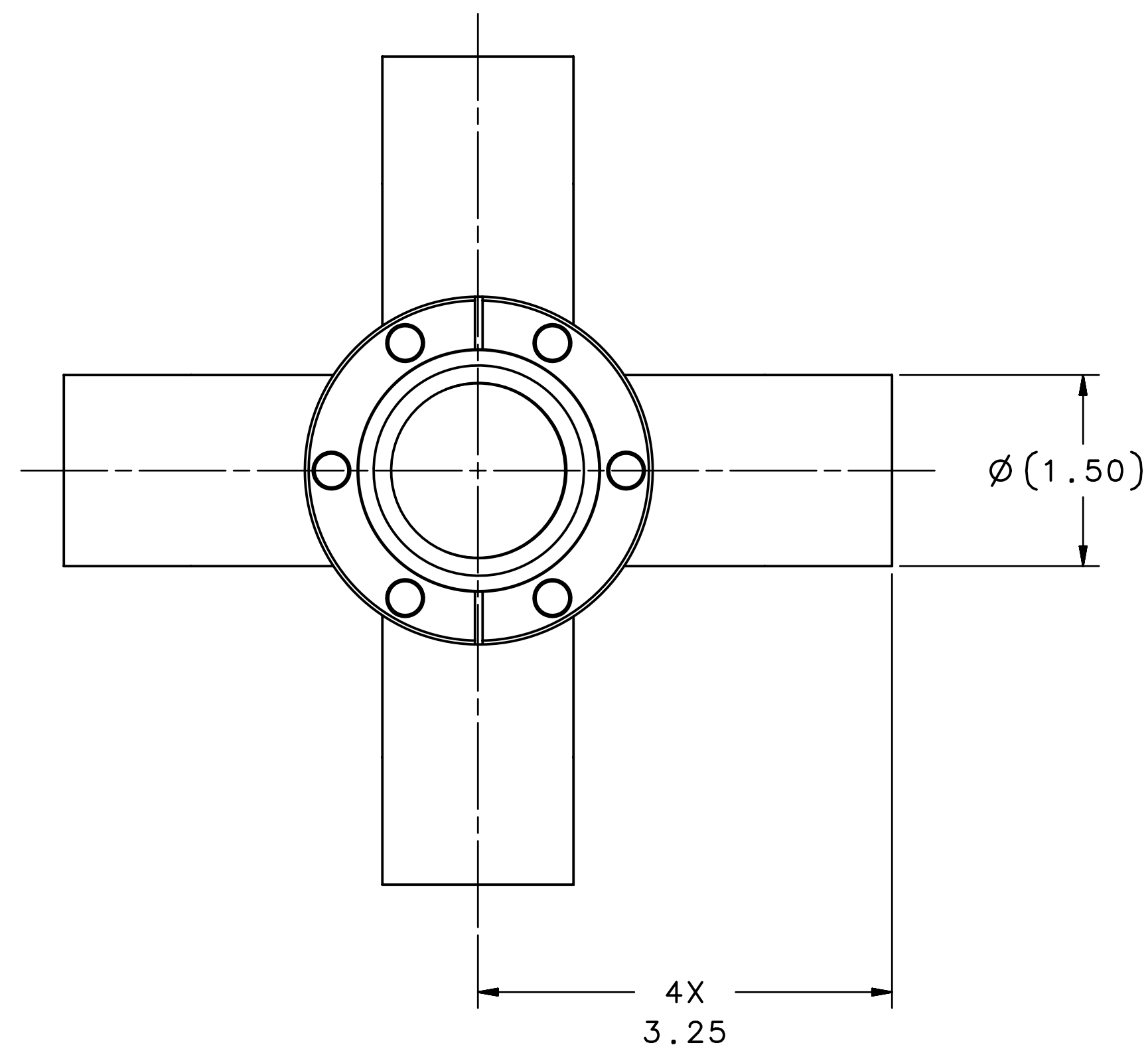
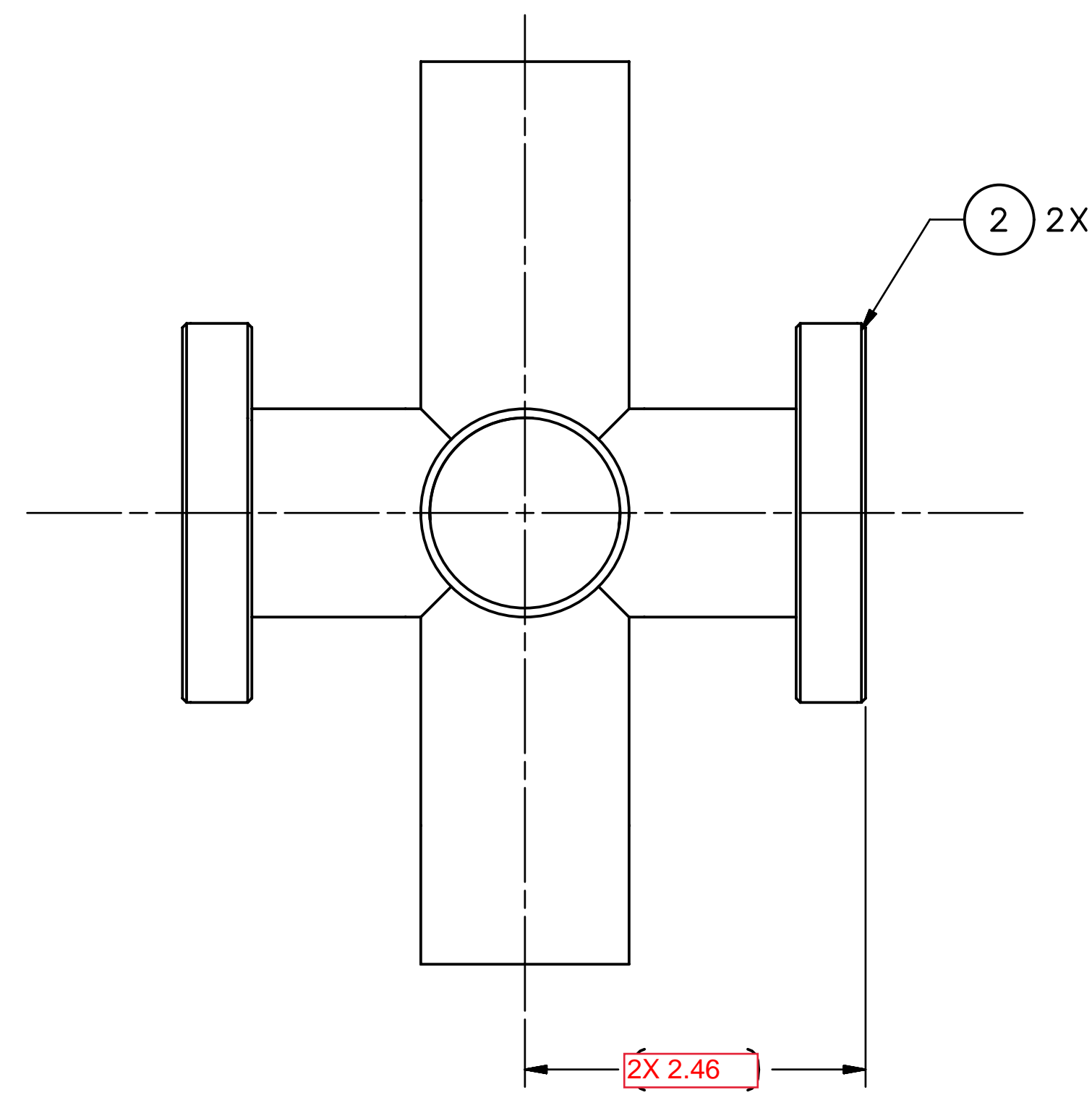


REVISION HISTORY		
ZONE	REV	DESCRIPTION
		DATE/REVISER



ISOMETRIC

QTY REQD	ITEM NO.	PART OR IDENTIFYING NO.	NOMENCLATURE OR DESCRIPTION	MATERIAL SPECIFICATION	NOTES
2	2	MDC 100014	CF FLANGE, 2-3/4 X 1.5, ROTATABLE	STAINLESS STEEL 304	-
1	1		SIMILAR TO MDC P/N 407502 6-WAY CROSS 3.25 X 2.25	STAINLESS STEEL 304	-

DIM & TOL PER ASME Y14.5 2009. UNLESS OTHERWISE SPECIFIED DIMENSIONS ARE IN INCHES. TOLERANCES ARE: FRACTIONS DECIMAL ANGLES $\pm 1/8$.X $\pm .1$ ° $\pm .50$.XX $\pm .01$.XXX $\pm .005$	MATERIAL SEE PARTS LIST	United States Department of Energy Jefferson Lab <small>Thomas Jefferson National Accelerator Facility</small> Newport News Virginia
		VAC TUBES AND CHAMBERS TUBES AND ASSEMBLIES QW CROSS ASSEMBLY
THIRD ANGLE PROJECTION 	FINISH 125 UNLESS OTHERWISE NOTED MACHINE SURFACES DEBURR & BREAK ALL SHARP EDGES	SIZE DWG. NO. REV. D JL 0091130-0222-03 - SCALE 1:1 USED ON ASSY NO. SHEET 1 OF 1