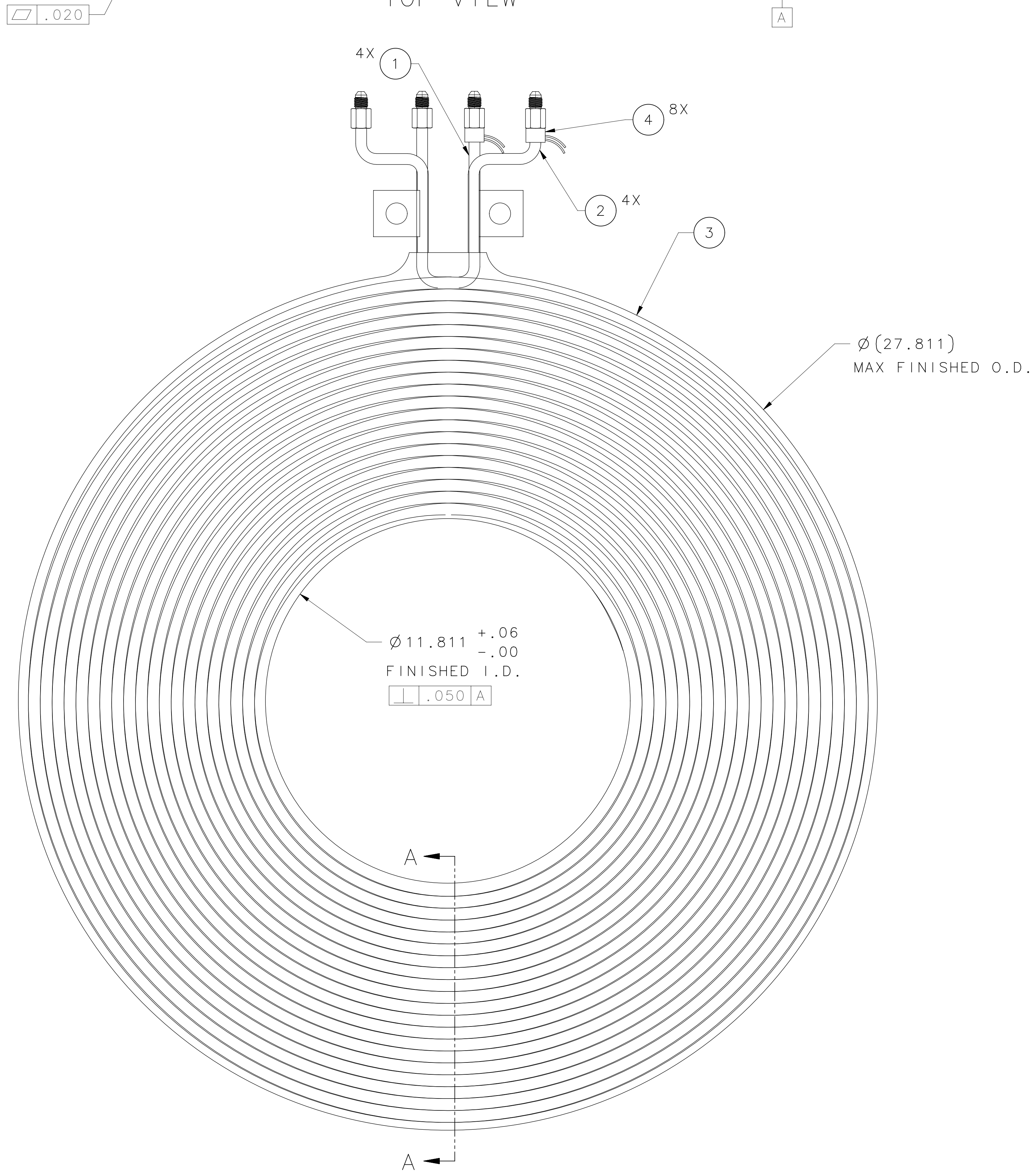
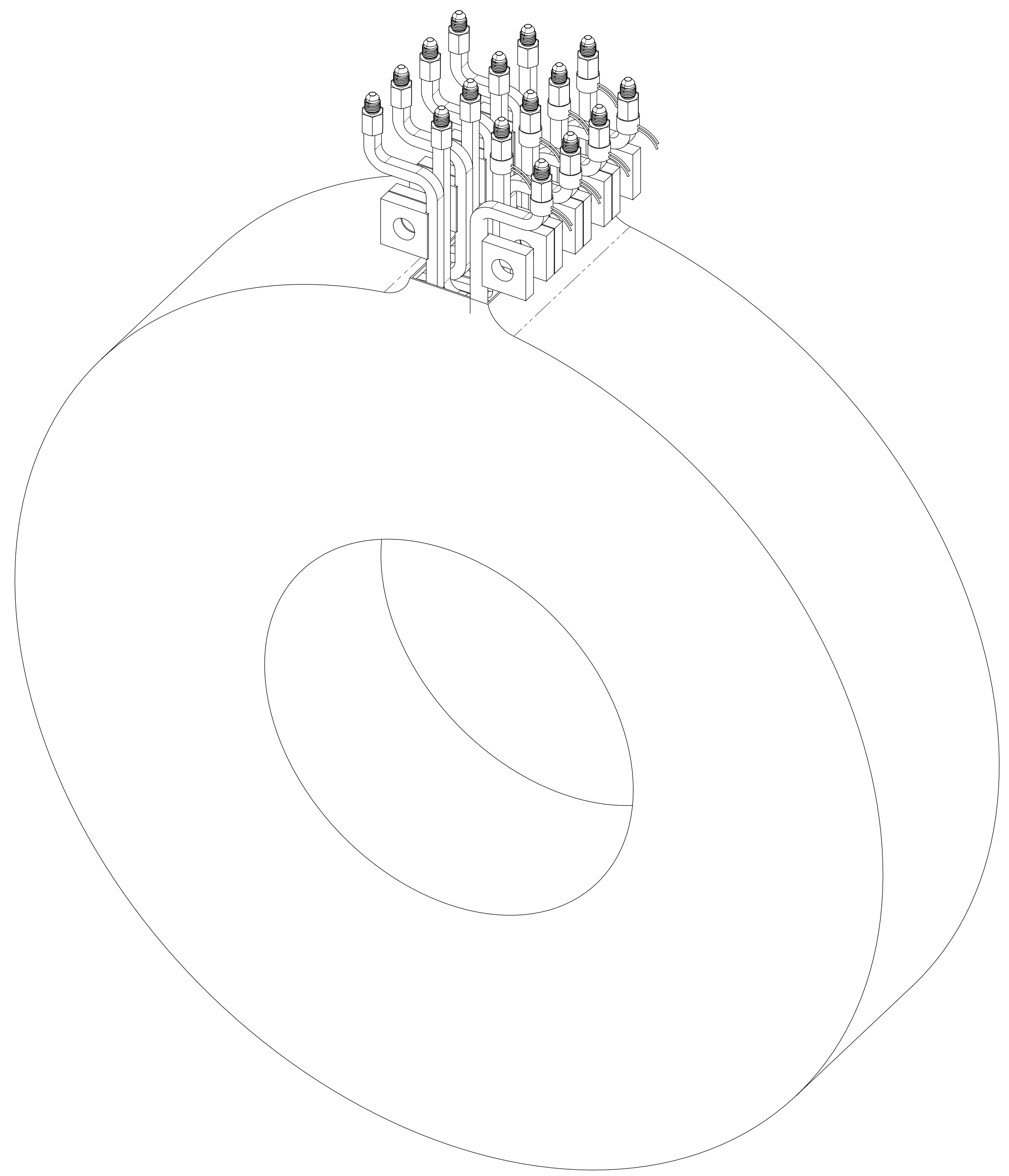


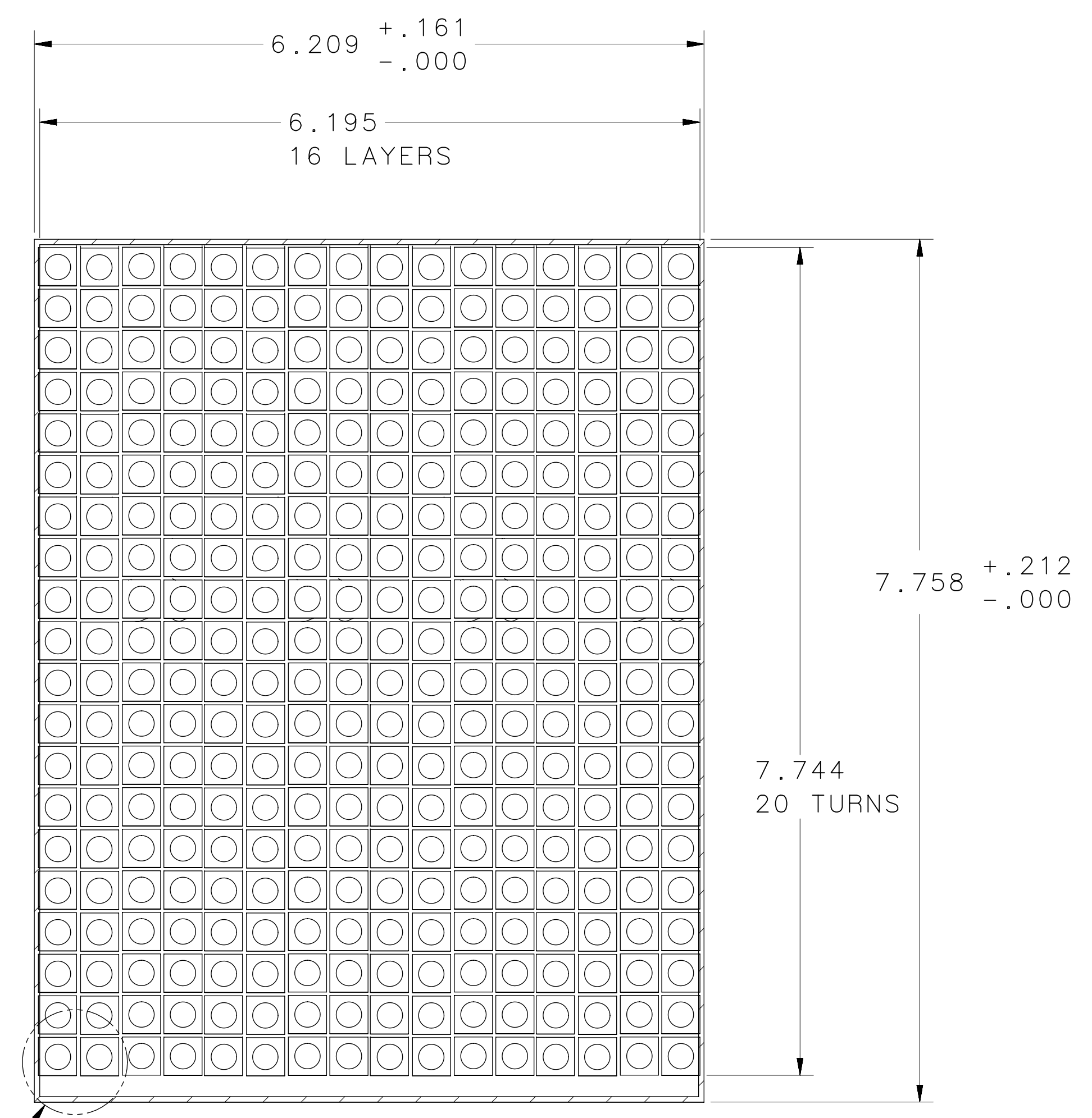
TOP VIEW



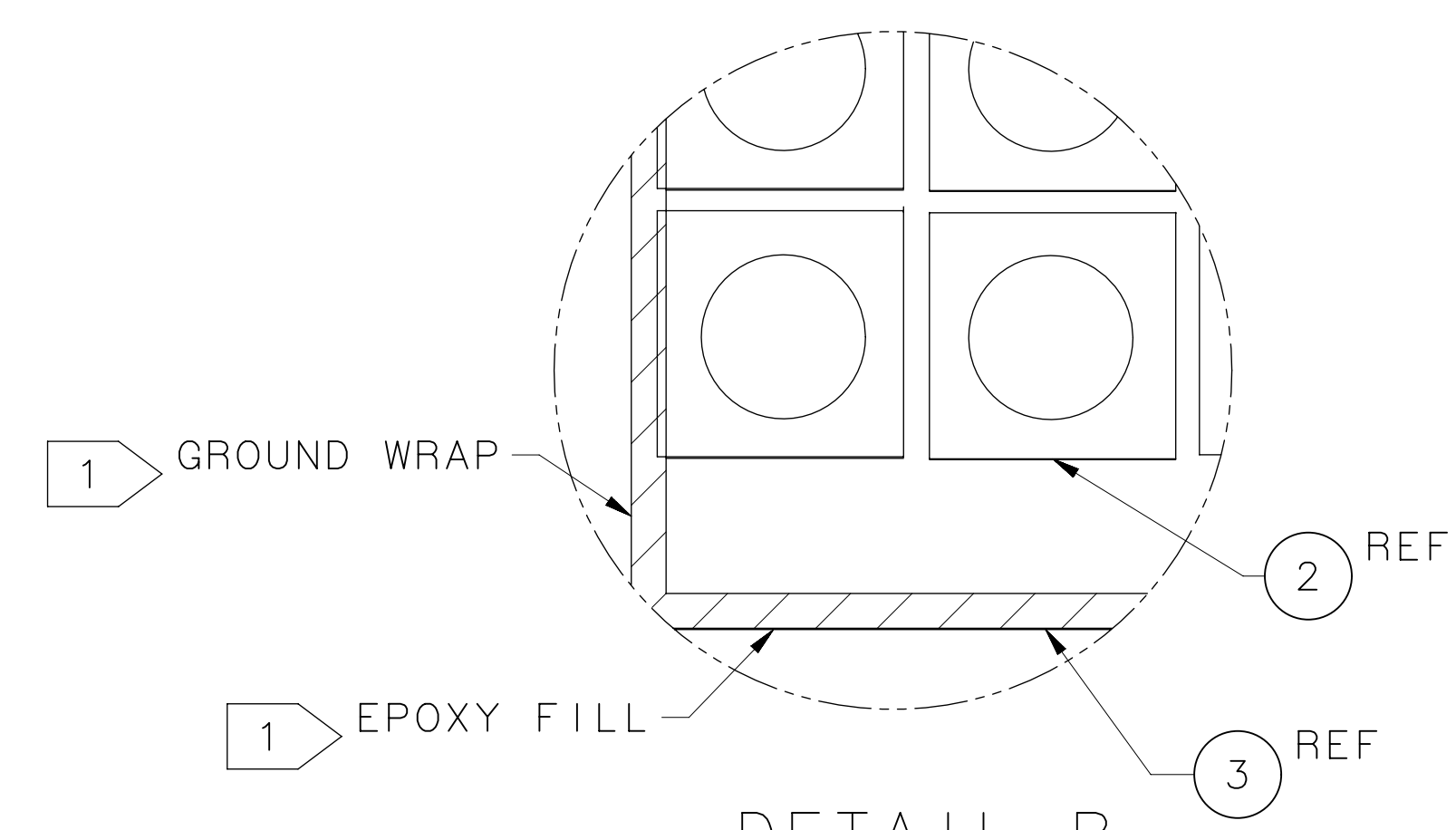
FRONT VIEW



ISOMETRIC VIEW



SECTION A-A
SCALE 1:1



DETAIL B
SCALE 4:1

- NOTES:
- COILS SHALL BE FABRICATED IN ACCORDANCE WITH SPECIFICATION MEG00002016-S001.
 - GEORGE ULANET
www.ulanet.com
PHONE: 1-860-582-6776

QTY	ITEM NO.	PART OR IDENTIFYING NO.	NOMENCLATURE OR DESCRIPTION	MATERIAL SPECIFICATION	NOTES
8	4	GEORGE ULANET WP-2 SCORP95CS	6" 22PVC 200-DEG F THERMAL SWITCH		2
1	3	GROUND WRAP	GROUND WRAP		1
4	2	JL0035043	LDRD OPEN COIL		
4	1	JL0034767	LDRD CROSS COIL		

EACH SHEET OF MULTI-SHEET DRAWINGS SHALL ALWAYS HAVE THE SAME REVISION LEVEL.

<small> DIV & TOL PER ASME Y14.5 UNLESS OTHERWISE SPECIFIED DIMENSIONS ARE IN INCHES. TOLERANCES ARE: FRACTIONS DECIMAL ANGLES ± N/A ± .01 ± .01 ± .50° ± .005 ± .01 ± .005 </small>	MATERIAL SEE PARTS LIST	United States Department of Energy Jefferson Lab <small>Thomas Jefferson National Accelerator Facility</small> Newport News Virginia
FINISH: MACHINED SURFACES UNLESS OTHERWISE NOTED DEBURR & BREAK ALL SHARP EDGES	THIRD ANGLE PROJECTION	MAG LDRD MAGNETIZED BEAM LDRD SOLENOID COIL ASSEMBLY
DO NOT SCALE DRAWING	DRAWN: G. HAYS DATE: 08MAR16	SIZE: E DWG. NO.: JL0034810 SCALE: 1:2 USED ON ASST NO.: JL0034261 SHEET: 1 OF 1