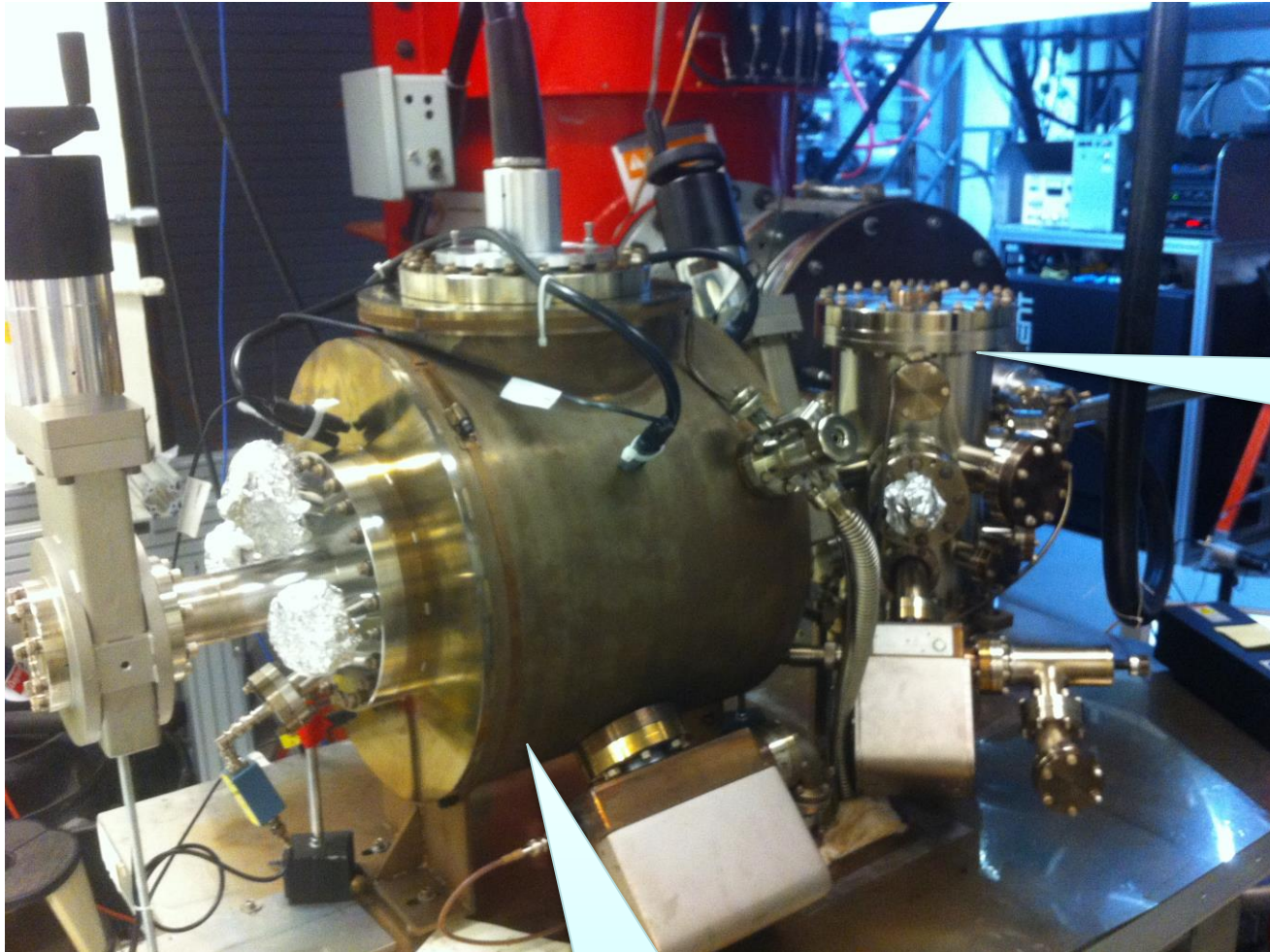


Helmholtz Magnet Design

December 26, 2015

Magnetized Gun

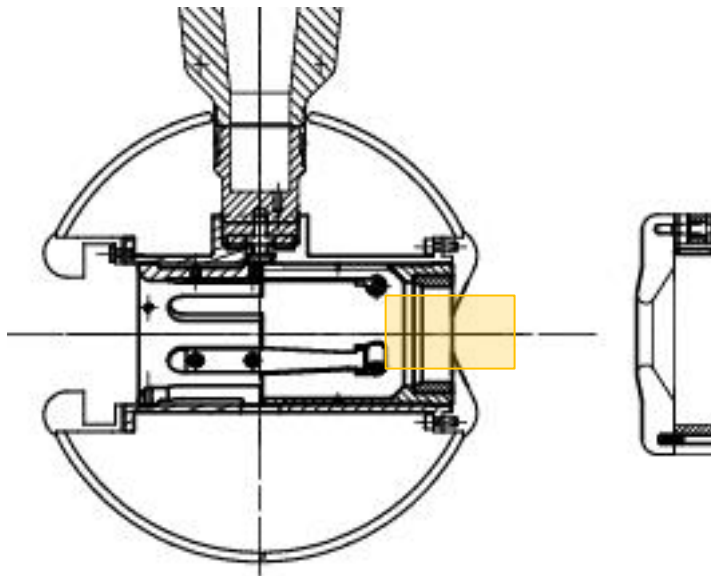


K₂CsSb
Preparation
Chamber

HV Chamber

Magnetic Field at Cathode

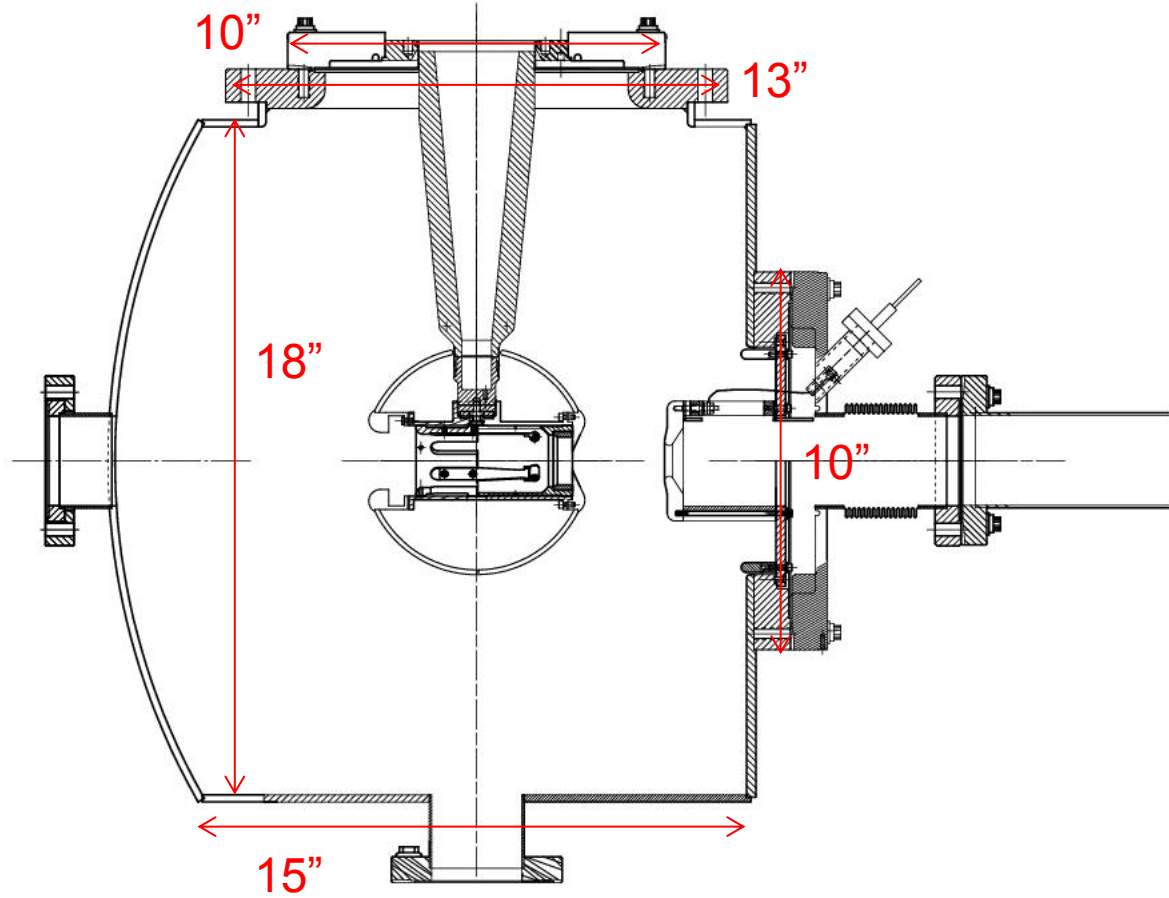
| | |
|----------------------------|--------|
| Beam radius | 0.3 cm |
| Field at cathode (B_z) | 2 kG |



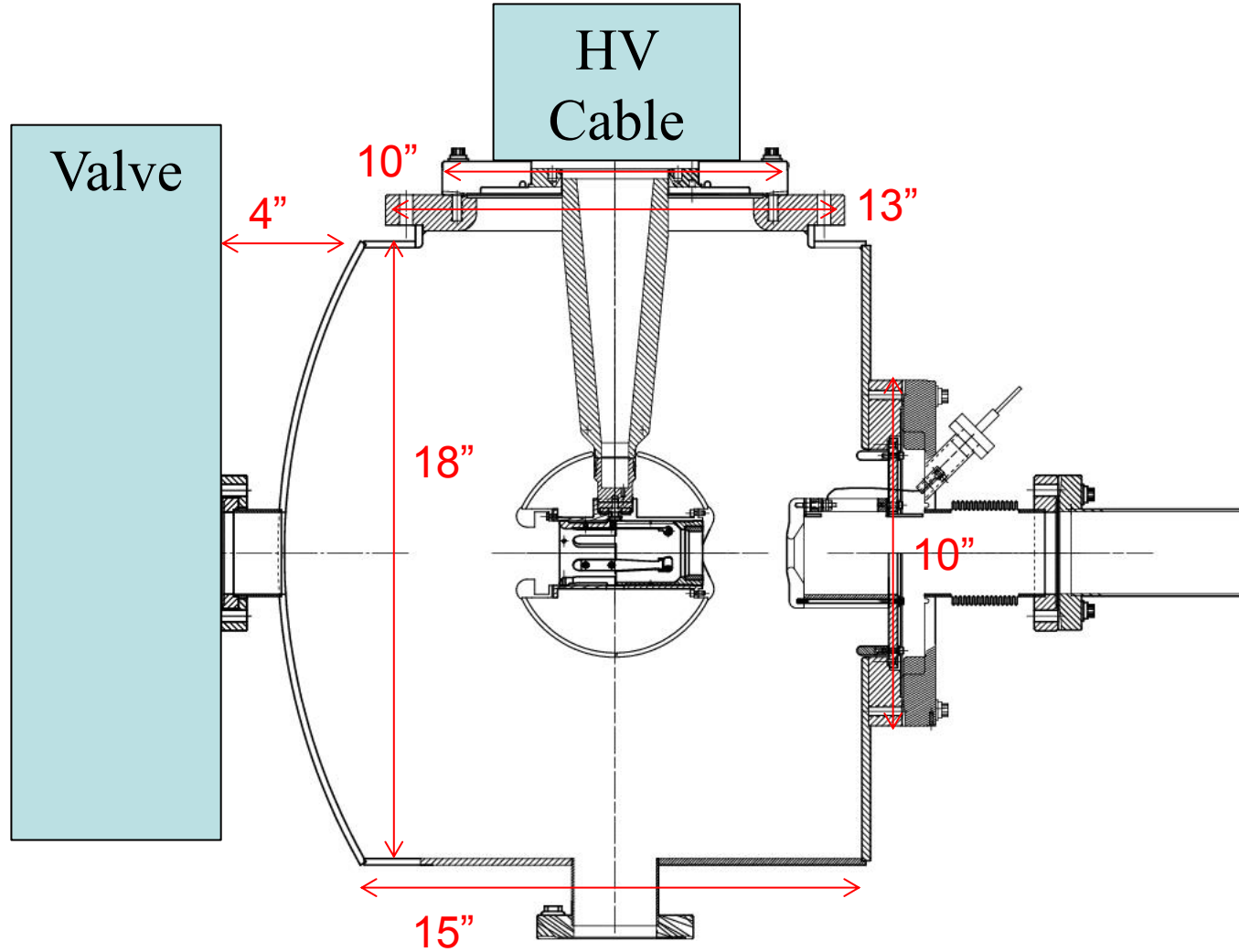
Magnetic Field:

- $B_z = 2 \text{ kG}$
- Radius = 0.5 cm
- Length = 5 cm (?)
- Uniformity = 1% (?)

HV Chamber



HV Chamber Clearance



Helmholtz Magnet Location

