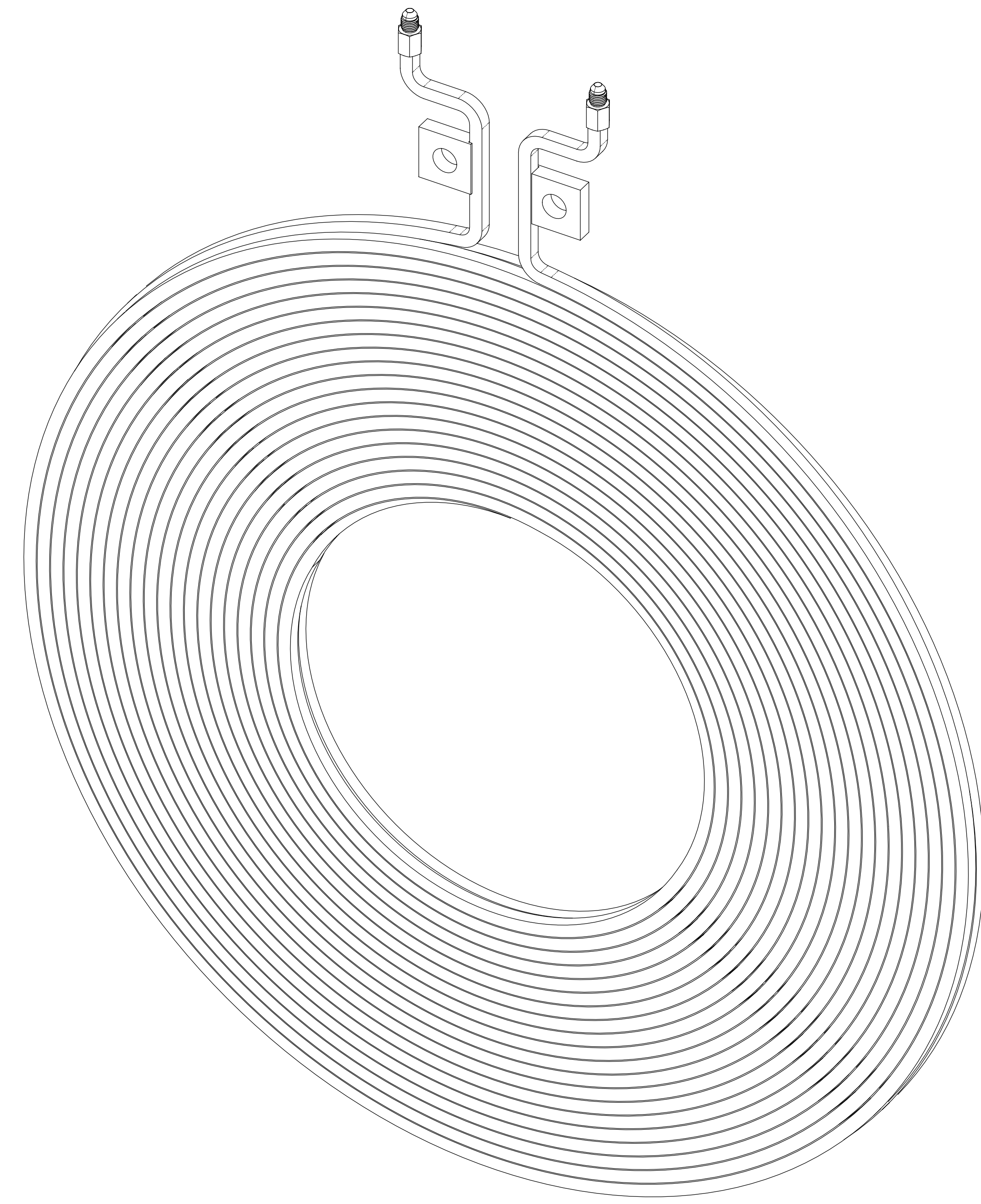
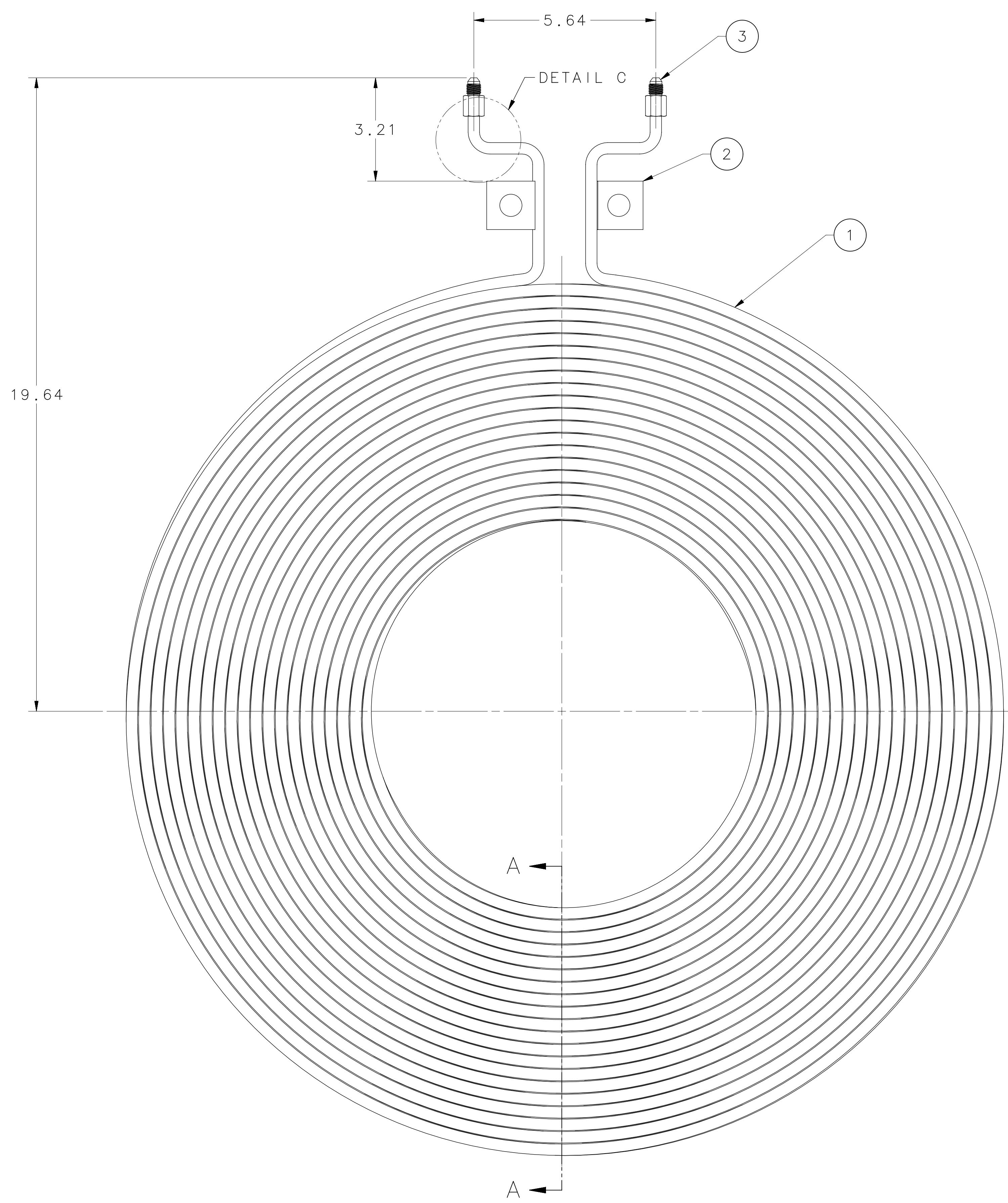


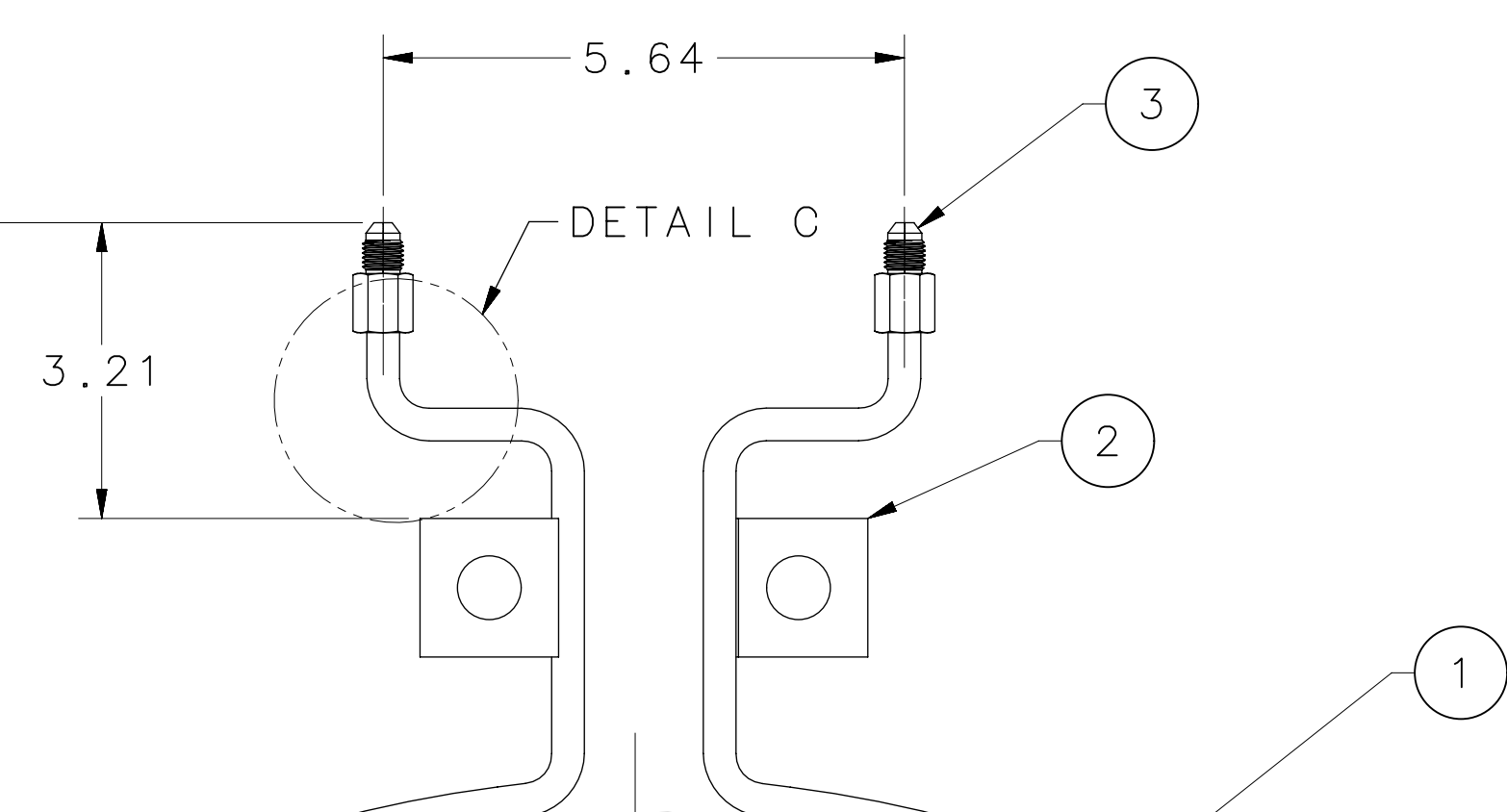
TOP VIEW



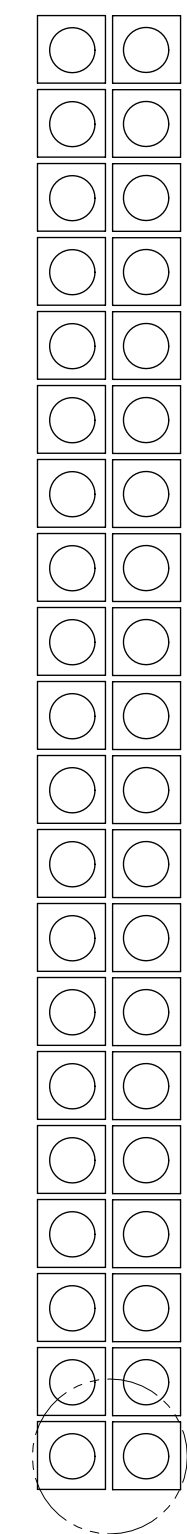
ISOMETRIC VIEW



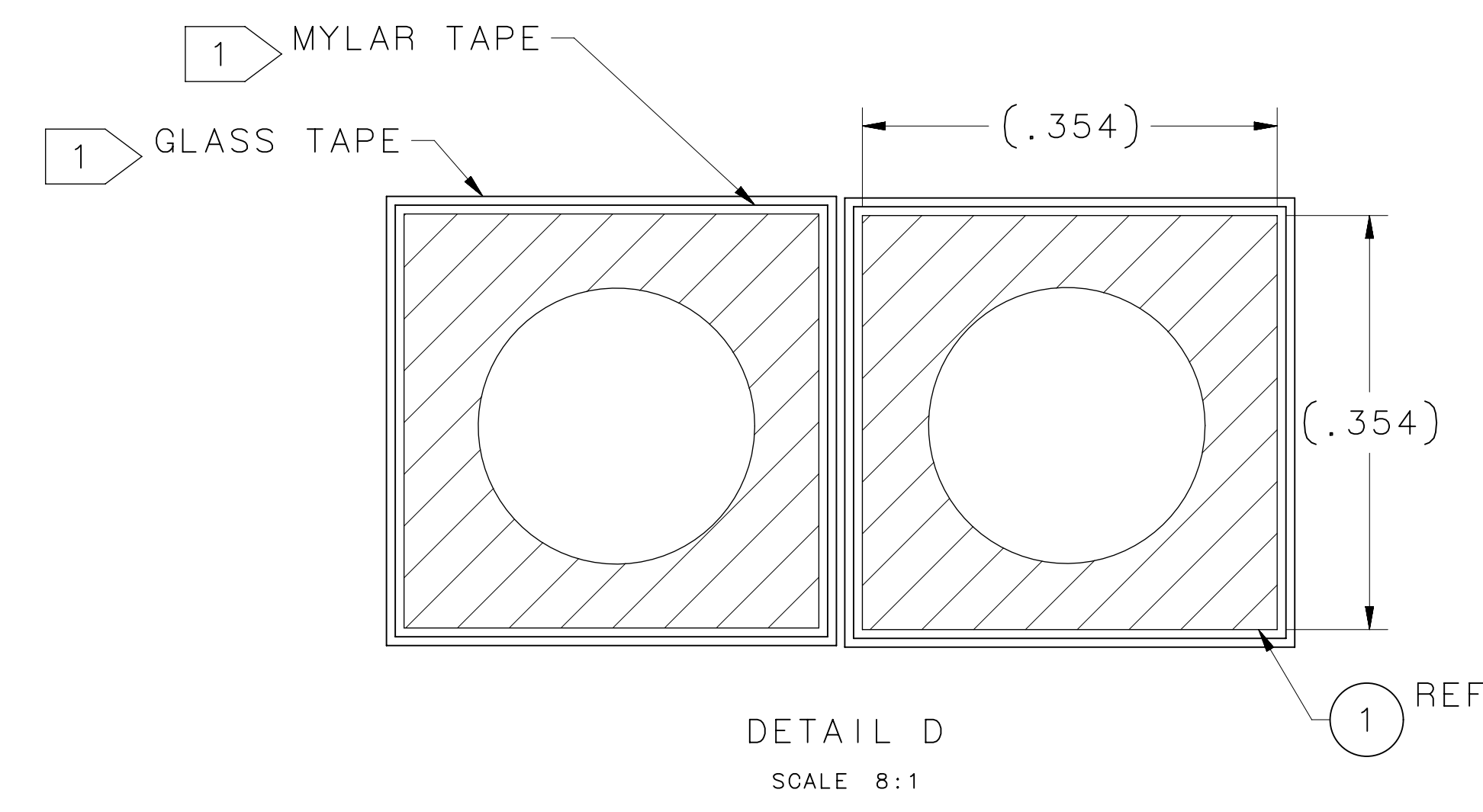
FRONT VIEW



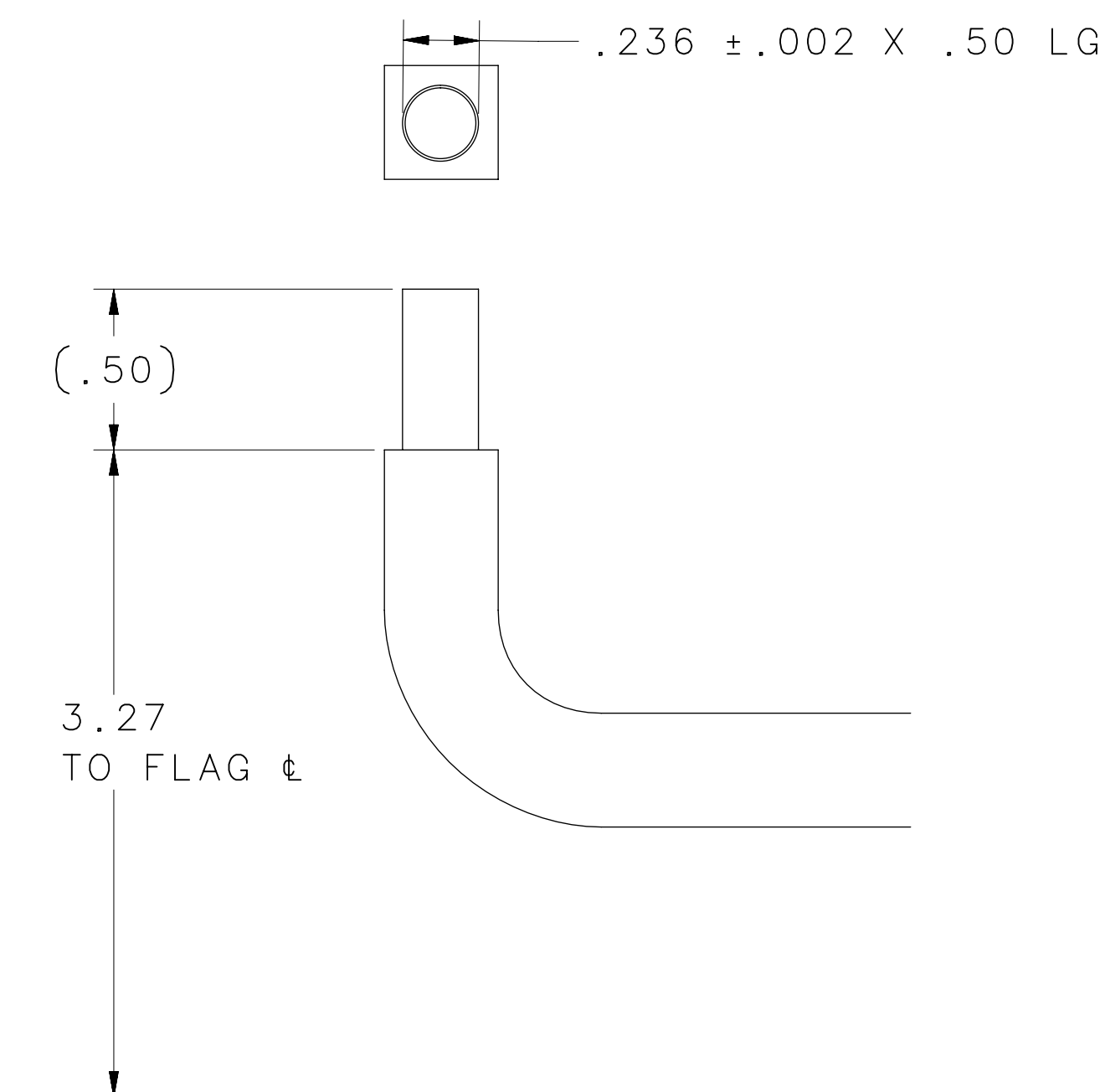
DETAIL C



SECTION A-A
SCALE 1:1



DETAIL D
SCALE 8:1



BRAZE FITTING PREP
DETAIL C
SCALE 2:1
ITEM 3 REMOVED FOR CLARITY

NOTES:
1. COILS SHALL BE FABRICATED IN ACCORDANCE WITH SPECIFICATION MEG00002016-S001

QTY	ITEM NO.	PART OR IDENTIFYING NO.	NOMENCLATURE OR DESCRIPTION	MATERIAL SPECIFICATION	NOTES
2	3	JL0034880	.37" W/O THRU HOLE, FEMALE PIPE TAP		
2	2	JL0034881	LDRD COIL FLAG		
1	1	LUVATA 6092	CONDUCTOR 62.5 MM		

EACH SHEET OF MULTI-SHEET DRAWINGS SHALL ALWAYS HAVE THE SAME REVISION LEVEL.

DIM & TOL PER ASME Y14.5 UNLESS OTHERWISE SPECIFIED DIMENSIONS ARE IN INCHES. TOLERANCES ARE: FRACTIONS: X ± .01 DECIMAL: XX ± .01 ANGLES: ± .50° FINISH: UNLESS OTHERWISE NOTED SURFACES: DEBURR & BREAK ALL SHARP EDGES. DO NOT SCALE DRAWING DRAWN: G.HAYS DATE: 29MAR16	MATERIAL: SEE PARTS LIST FINISH: 125 UNLESS OTHERWISE NOTED SURFACES: DEBURR & BREAK ALL SHARP EDGES. DO NOT SCALE DRAWING DATE: 29MAR16	United States Department of Energy Jefferson Lab Thomas Jefferson National Accelerator Facility Newport News, Virginia MAG LDRD MAGNETIZED BEAM LDRD LEFT COIL SIZE: E DWG. NO.: JL0035043 SCALE: 1:2 DESIGNED BY: JL0034810 SHEET: 1 OF 1
--	--	--