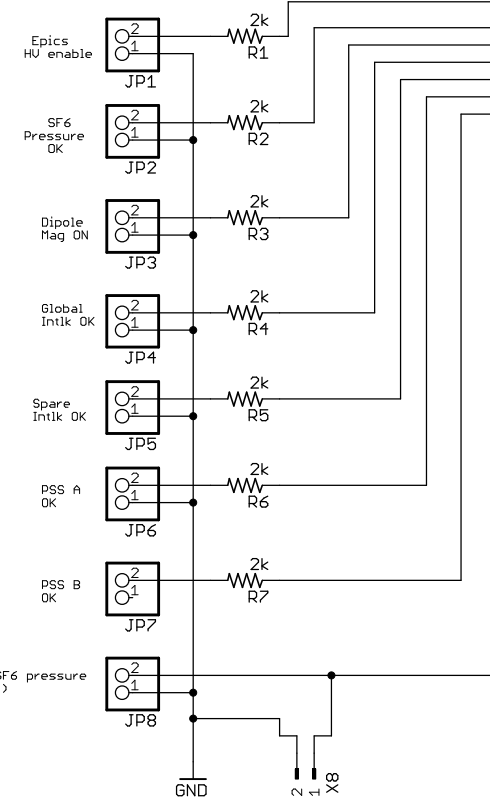
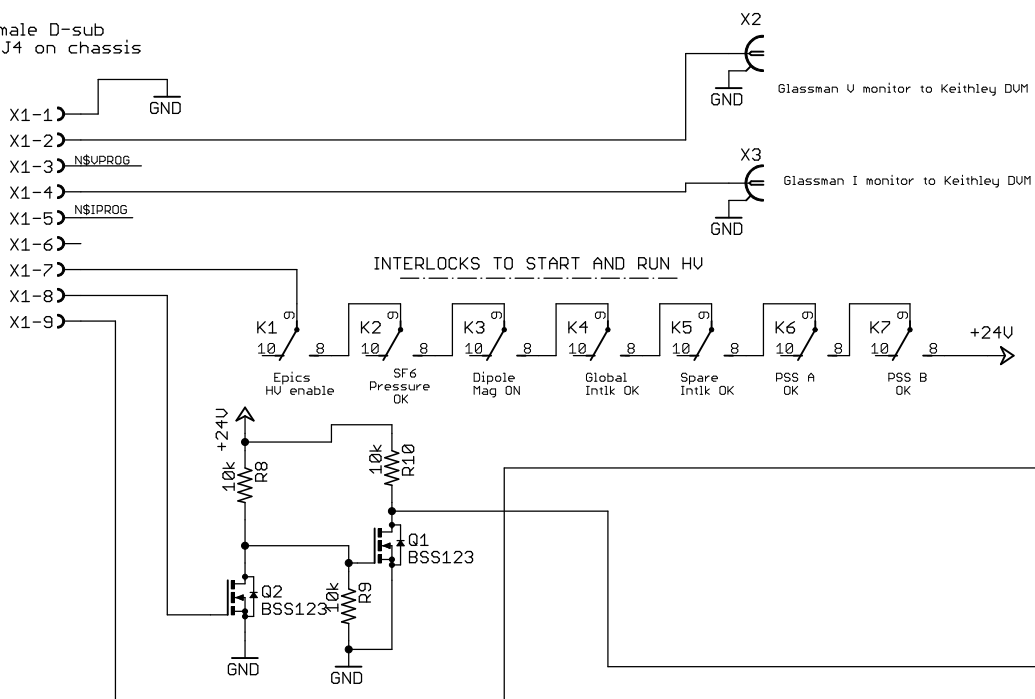


9 pin female D-sub
Labeled J4 on chassis

TB1 on Glassman remote				
2	Black	Common	X1-1	GND
4	Brown	→ V MON (0-10V = 0-450kV)	X1-2	
5	Red	← V PROG (0-10V is 0-450kV)	X1-3	N\$UPROG
7	Orange	→ I MON (0-10V = 0-3mA)	X1-4	
8	Yellow	← I PROG (0-10V is 0-3mA)	X1-5	N\$IPROG
		No connection	X1-6	
3	Blue	← HV ENABLE	X1-7	
10	White	→ HV STATUS	X1-8	
		→ HV READY	X1-9	

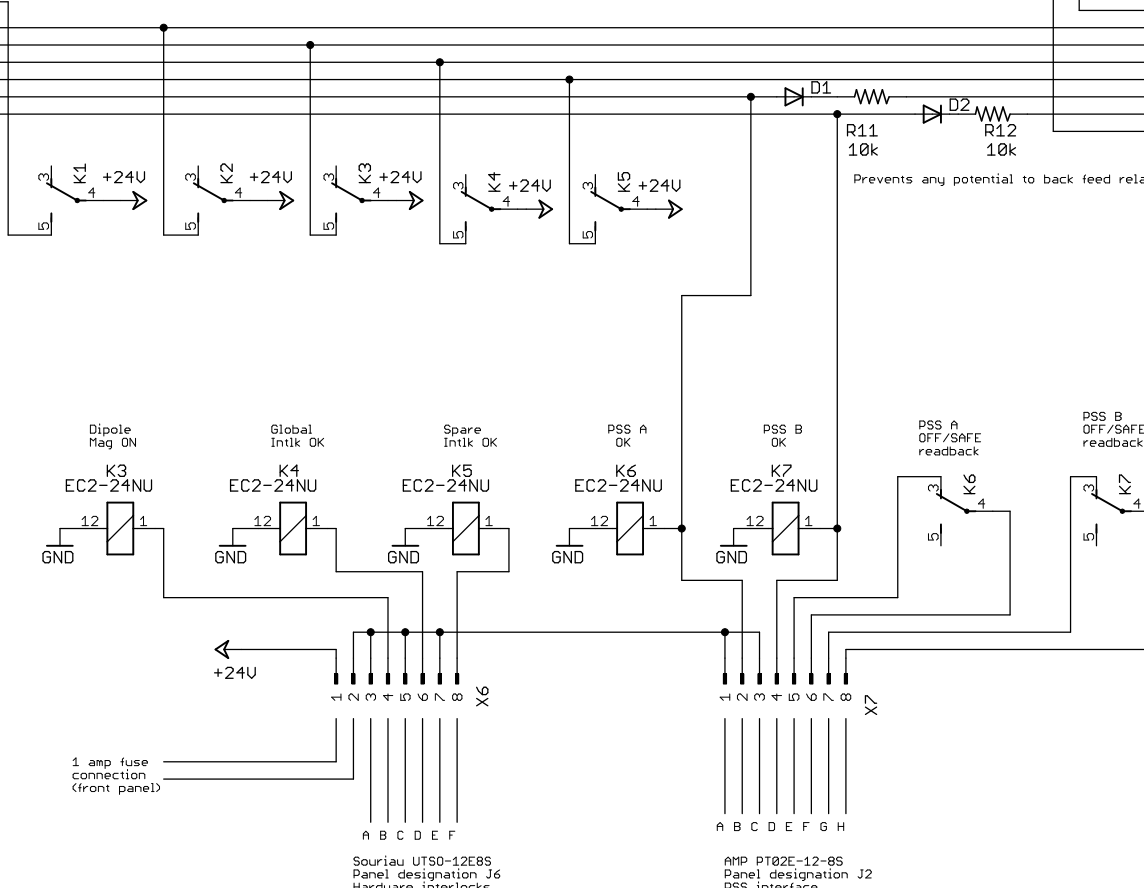
"HV ready" is the 10V reference that comes out of this terminal when the Glassman has power (PSS made up and breaker closed)

"HV Status" means power supply is on or off (High when on) It is TTL 5V, so we must level shift from 5V TTL to 24V logic for D10 card.



Found a 12V Piezo alarm that also has LED warning so this will be connected to X8

12VDC Piezo Siren (loss of SF6)



Souriau UTS0-12E8S Panel designation J6 Hardware interlocks

AMP PT02E-12-8S Panel designation J2 PSS interface

