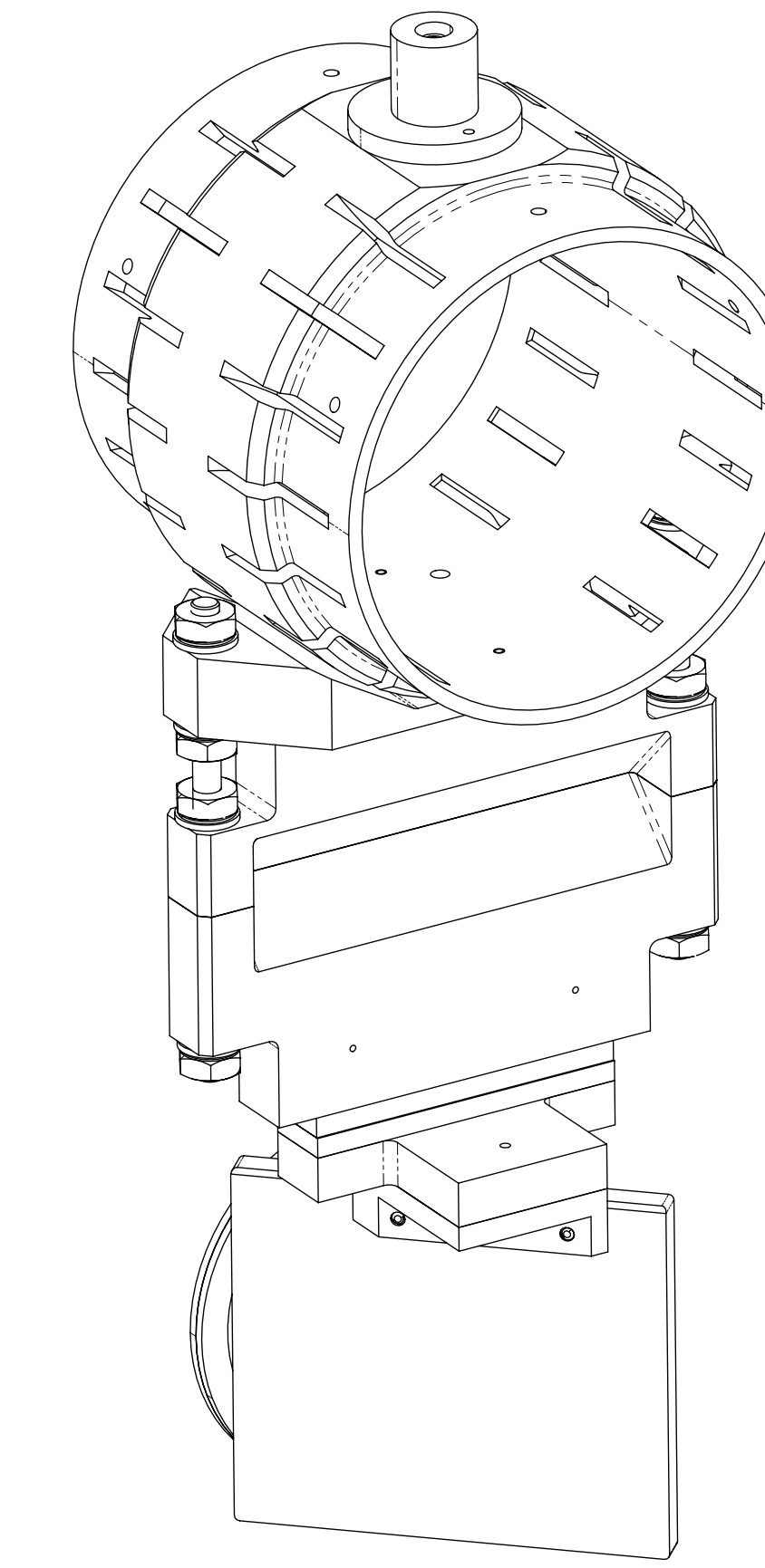
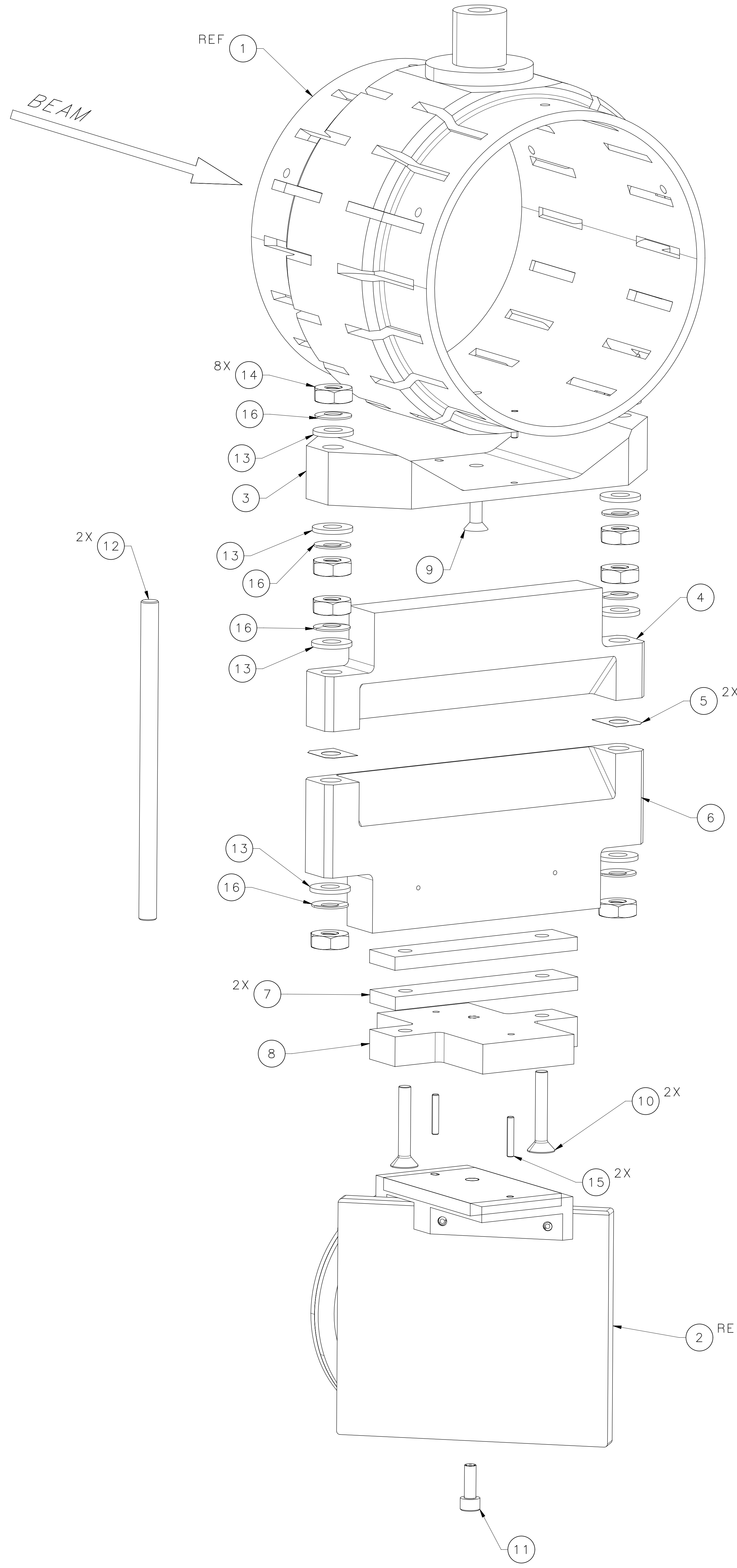
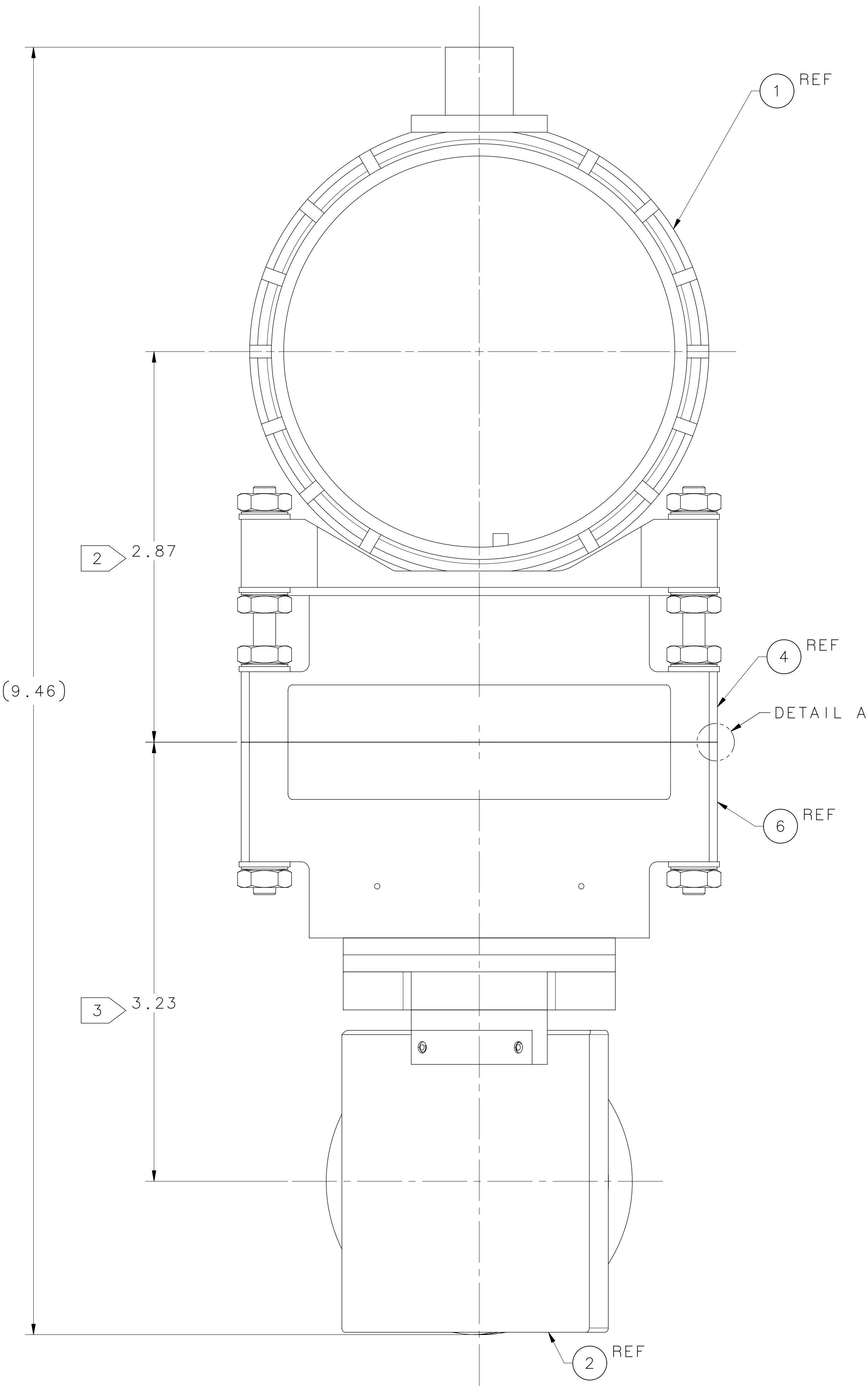


DETAIL A
SCALE 20:1



ISOMETRIC VIEW



- NOTES:
- SUGGESTED VENDOR OR JLAB EQUIVALENT
 - McMASTER-CARR
WWW.MCMASTER.COM
PHONE: 1-609-259-8900
 - ADJUST SLIT ASSEMBLY (ITEM 4, 5 AND 6) ON THREADED ROD (ITEM 12) TO SUIT ACTUATOR POSITIONING.
 - ADJUST MIRROR SPACER (ITEM 7) THICKNESS TO SUIT ACTUATOR POSITIONING.

QTY	ITEM	PART OR IDENTIFYING NO.	NOMENCLATURE OR DESCRIPTION	MATERIAL SPECIFICATION	NOTES
8	16	MCMASTER-CARR 9713K11	.164 ID X .343 OD X .016 THK BELLEVILLE DISC SPRING WASHER	STAINLESS STEEL 302	1a
2	15	MCMASTER-CARR 97395A405	.06 DIA X .38 LG DOWEL PIN	STAINLESS STEEL 316	1a
8	14	MCMASTER-CARR 90257A009	#8-32 HEX NUT	STAINLESS STEEL 316	1a
8	13	MCMASTER-CARR 90107A010	#8-32 FLAT WASHER	STAINLESS STEEL 316	1a
2	12	MCMASTER-CARR 90575A260	#8-32 THREADED ROD X 3.00 LG	STAINLESS STEEL 316	1a
1	11	MCMASTER-CARR 92185A107	HEX SOCKET HEAD CAP SCREW, #4-40 X .31 LG	STAINLESS STEEL 316	1a
2	10	MCMASTER-CARR 90585A206	FLAT HEAD SOCKET CAP SCREW #4-40 X .75 LG	STAINLESS STEEL 316	1a
1	9	MCMASTER-CARR 90585A203	FLAT HEAD SOCKET CAP SCREW #4-40 X .31 LG	STAINLESS STEEL 316	1a
1	8	JL0036716	MIRROR TO SLIT ADAPTER		
2	7	JL0036714	MIRROR SPACER		
1	6	JL0035131	EMS SLIT BOTTOM HALF		
2	5	JL0035149	MICRON SHIM		
1	4	JL0035132	EMS SLIT TOP HALF		
1	3	JL0036726	EMS BEAMTUBE TO SLIT ADAPTER		
REF	2	FEL-DIA-BV-01-02-005	YAG CRYSTAL AND MIRROR ASSEMBLY		
REF	1	FEL-DIA-BV-01-02-001	VIEWER CENTER TUBE		

EACH SHEET OF MULTI-SHEET DRAWINGS SHALL ALWAYS HAVE THE SAME REVISION LEVEL.

UNIT & TOL PER ASME Y14.5 UNLESS OTHERWISE SPECIFIED DIMENSIONS ARE IN INCHES. TOLERANCES ARE FRACTIONS DECIMAL ANGLES
 # N/A X ± .1 ± .50°
 XX ± .01 ± .005

FINISH UNLESS OTHERWISE NOTED SURFACES TO BE PER & BREAK ALL SHARP EDGES

THIRD ANGLE PROJECTION

DO NOT SCALE DRAWING

DATE 31MAR16

SCALE 2.5:1

UNITED STATES DEPARTMENT OF ENERGY
Jefferson Lab
 Thomas Jefferson National Accelerator Facility

JLEIC
 MAGNETIZED BUNCHED ELECTRON COOLER
 MAGNETIZED GUN LDRD
 EMS SLIT SYSTEM ASSEMBLY

SIZE DWG. NO. JL0035130
 SCALE 2.5:1

REV. -

DRAWN G.HAYS

SHEET 1 OF 1