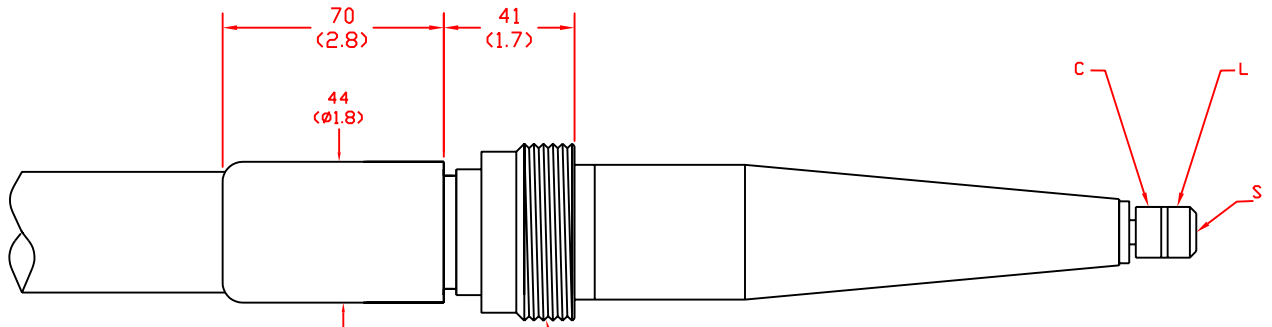
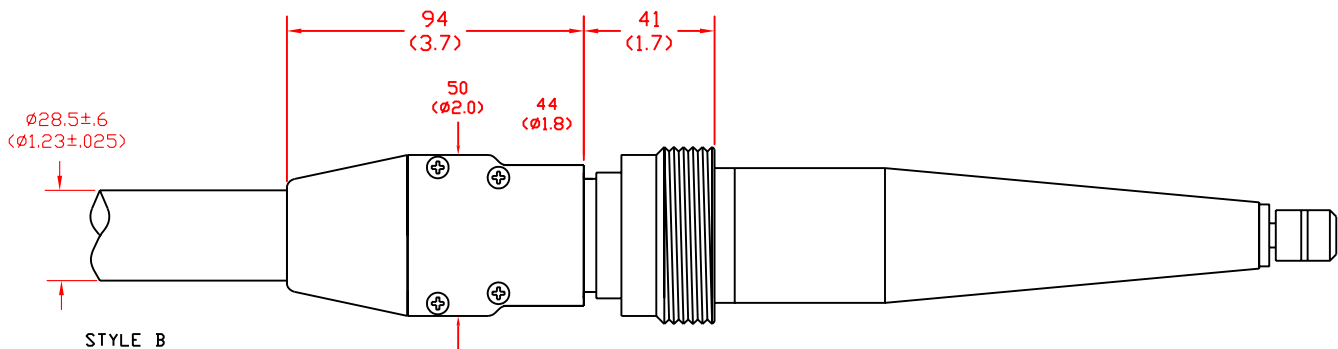


TYPE R28
OPERATING VOLTAGE- 225KVDC



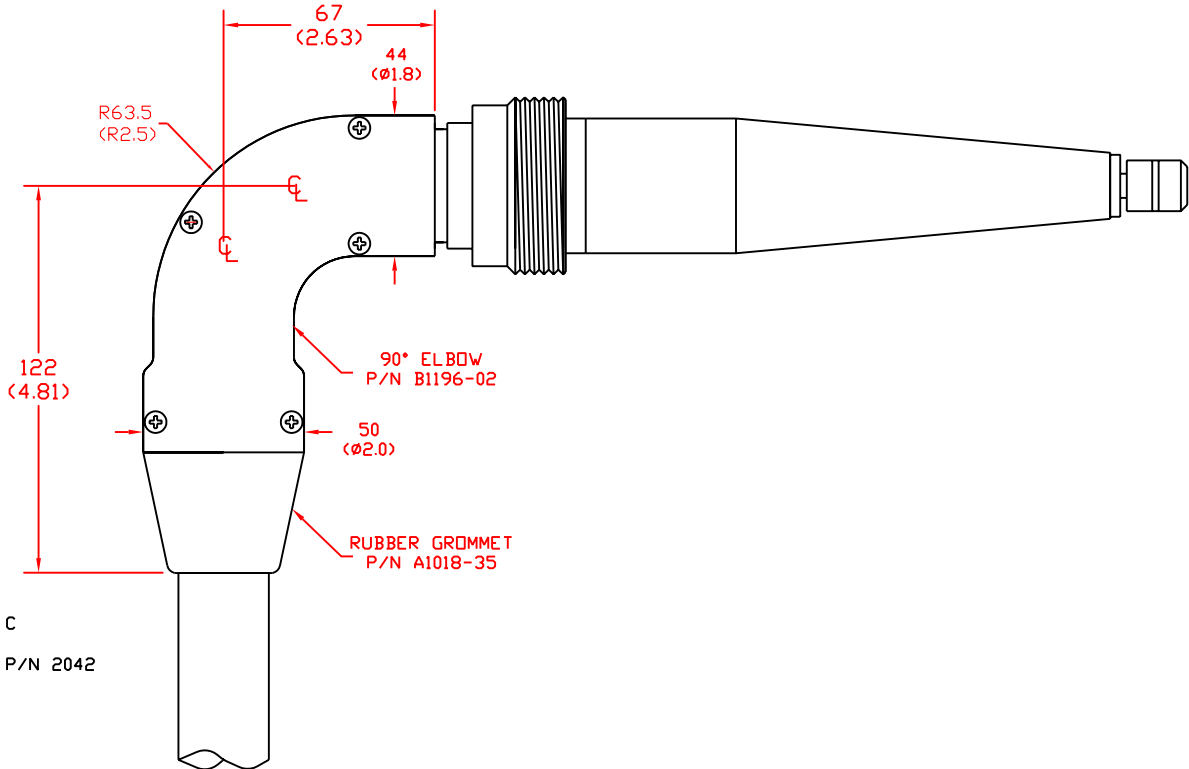
STYLE A
CABLE P/N 2236 OR 2042

M56x1.5 ISO THD



STYLE B
CABLE P/N 2042

$\varnothing 28.5 \pm 6$
($\varnothing 1.23 \pm 0.25$)



STYLE C
CABLE P/N 2042

90° ELBOW
P/N B1196-02

RUBBER GROMMET
P/N A1018-35