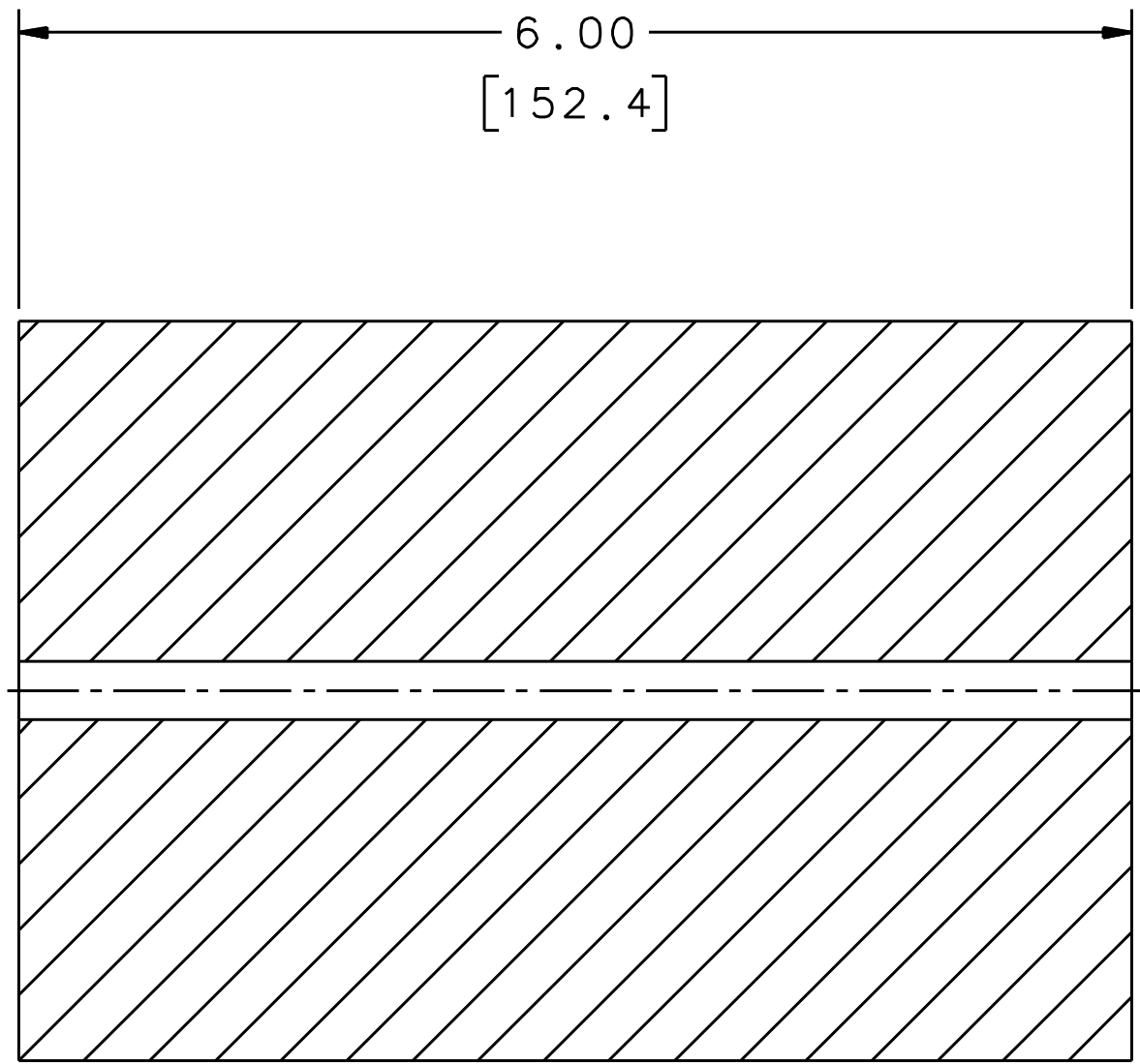
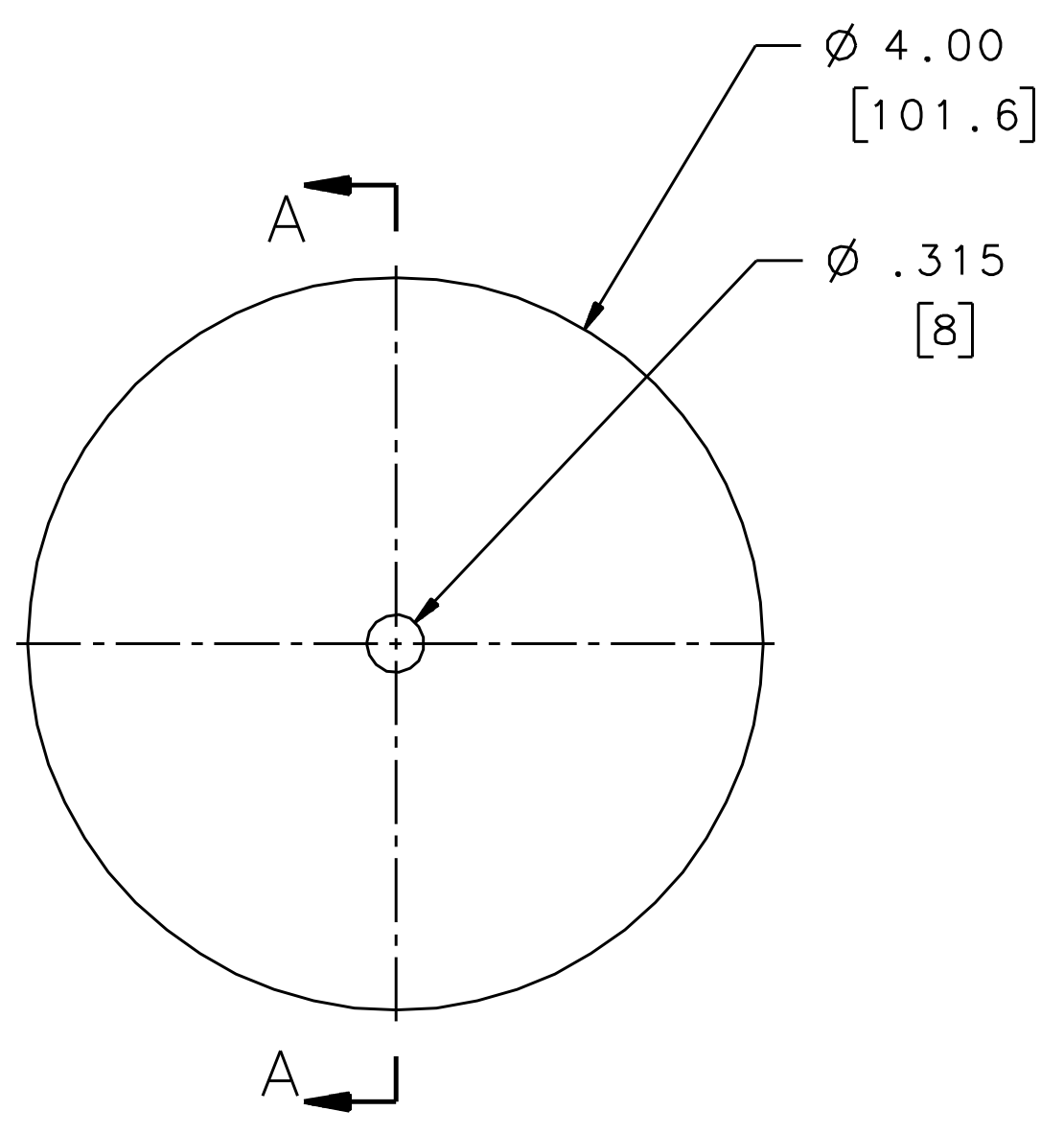


REVISION HISTORY			
ZONE	REV	DESCRIPTION	APPROVED



SECTION A-A

NOTES:

1. ASME Y14.5-2009 IS USED FOR ALL DIMENSIONING AND TOLERANCING.
2. DIMENSIONS ARE IN INCHES/MILLIMETERS.
3. ESTIMATED WEIGHT IS 24 LB.

DIM & TOL PER ASME Y14.5. UNLESS OTHERWISE SPECIFIED DIMENSIONS ARE IN INCHES. TOLERANCES ARE: FRACTIONS DECIMAL ANGLES ± N/A X ± .1 ± .50° XX ± .01 .XXX ± .005	MATERIAL COPPER TYPE OFHC	United States Department of Energy Jefferson National Accelerator Facility Newport News Virginia
	FINISH 125 UNLESS OTHERWISE NOTED MACHINING SURFACES DEBURR & BREAK ALL SHARP EDGES	ACC INJECTOR (DETAILS & ASSEMBLIES) BUBBLE CHAMBER CU COLLIMATOR
THIRD ANGLE PROJECTION 	DO NOT SCALE DRAWING	SIZE DWG. NO. D JL0015777
DRAWN S.A. GREGORY	DATE 23MAY14	SCALE 1:1 USCO ON ASSY NO. JL0015130 SHEET 1 OF 1