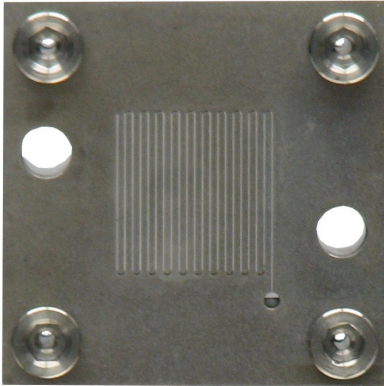
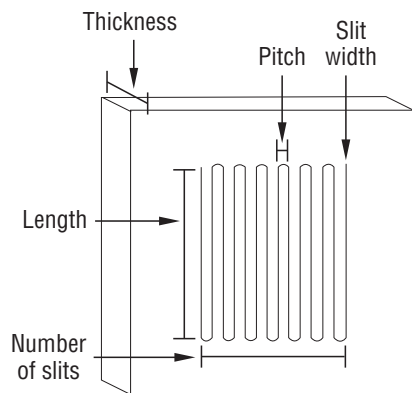


# Emittance Slits & Pepper Pots



Let us know the below specifications when requesting your quote.



## RELATED PRODUCTS

- Transverse Profile Monitors for viewing beamlets
- Profile Monitor + Slit, a space-saving design that adds an emittance slit to our profile monitor
- Single Station Emittance System, a single diagnostic station combining an emittance mask and viewing screen on a single actuator position

Slits and pepper pots make it possible to quickly measure emittance without the use of variable quadrupoles or lengthy beam transports. However, to achieve tight measurements, a high-quality mask is required. RadiBeam offers precision emittance masks of both the slit and pinhole/pepper-pot type.

We precision fabricate our emittance masks from high-Z materials for power handling, stability, and compact stopping power. Slit and hole dimensions are tightly controlled for minimal measurement uncertainty. The mask's virtually variation-free size and parallel cuts produce a high-contrast beamlet for the utmost measurement uniformity and consistency.

Emittance masks can be provided as standalone parts or with a chamber and precision pneumatic actuator.

## FEATURES SHOWN

- Tungsten, tantalum, copper, or aluminum body
- Single-piece construction for repeatability
- Single-piece slits as small as 30  $\mu\text{m}$
- Multi-piece slits as small as 1  $\mu\text{m}$
- Round pinholes as small as 90  $\mu\text{m}$
- Square pinholes as small as 1  $\mu\text{m}$

## OPTIONS

- Remote or manual rotation actuator for fine alignment to beam axis
- Variable-width slits for scanning or scraping
- Water-cooled backing for higher power
- Electrically isolated jaws



[www.radiabeam.com](http://www.radiabeam.com)

[info@radiabeam.com](mailto:info@radiabeam.com)

v: +1 310 822 5845 | f: +1 310 582 1212

Other options are available upon request. Please contact us or visit our website for purchasing information.