

200 mA Magnetized Beam for MEIC Electron Cooler

MEIC Collaboration Meeting
Spring 2015

Riad Suleiman and Matt Poelker

March 30, 2015

Outline

- MEIC Magnetized Electron Beam Cooling Requirements
- Source Pros and Cons
- Gun Options:
 - I. CW RF guns, warm and cold
 - II. Thermionic gun
 - III. Photogun
- Magnetized Beam
- Summary

Bunched Magnetized Electron Gun Requirements

Bunch length	100 ps (3 cm)
Repetition rate	476 MHz
Bunch charge	420 pC
Peak current	4.2 A
Average current	200 mA
Emitting area	6 mm ϕ
Transverse normalized emittance	10s microns
Solenoid field at cathode	2 kG

Source Pros and Cons

- Warm CW RF gun: thermionic emitter or photocathode, the promise of high bunch charge, but long low-energy tail, managing heat load for CW operation (AES and LANL examples)
- CW SRF gun: huge potential, but also huge technical challenges including applied mag field (Rossendorf and BNL)
- RF-pulsed grid thermionic gun: simple, long lifetime, but also long pulse and worst emittance (TRIUMF and BINP's NovoFEL)
- DC high voltage photogun: good emittance, delicate photocathodes, high bunch charge demands high bias voltage (JLab and Cornell)

Source Dependencies

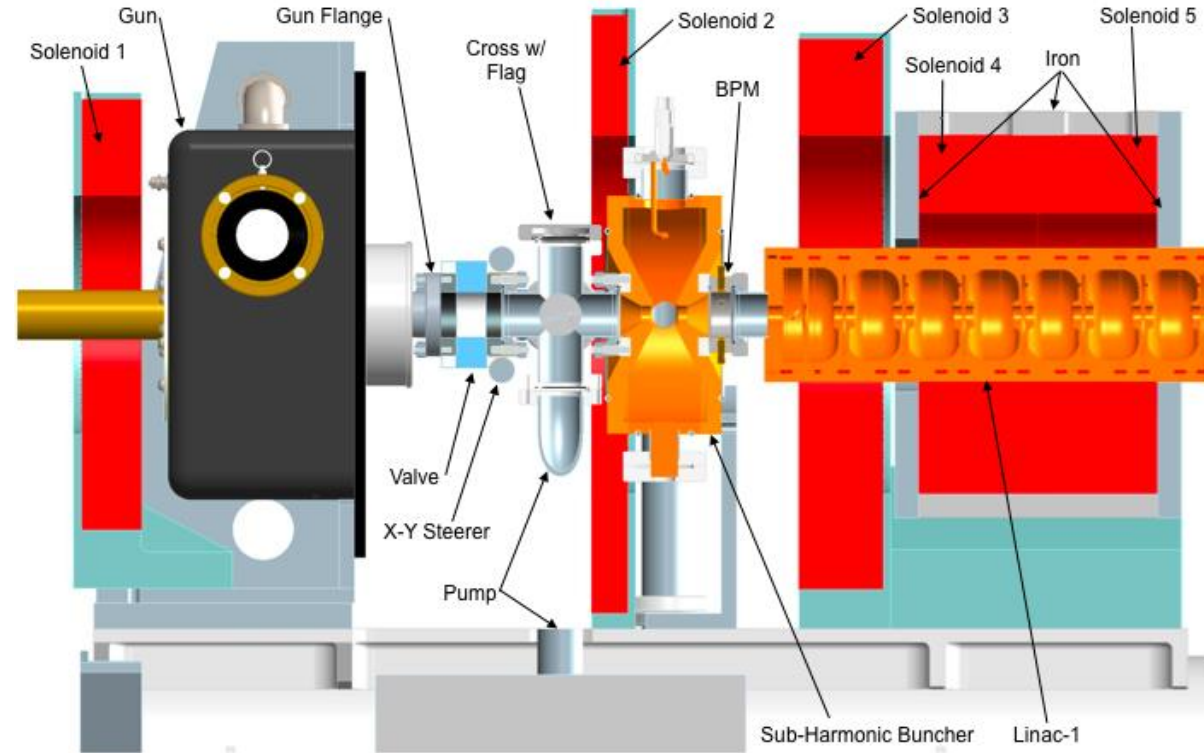
- Thermal Emittance: Intrinsic property of a cathode. Depends on work function, surface roughness, laser wavelength, temperature.
- Achievable Current: QE, laser wavelength, laser power, laser damage, heating, emitter size, temperature.
- Bunch Charge: laser peak power, repetition rate, active cathode area, bunch length.
- Cathode Lifetime: ion back bombardment, dark current, contamination by residual gas, evaporation, beam loss, halo beam.

What will applied magnetic field do?

Warm CW RF gun options

Example 1: Advanced Energy Systems (AES), Inc., NCRF gun (A. Todd, ERL11):

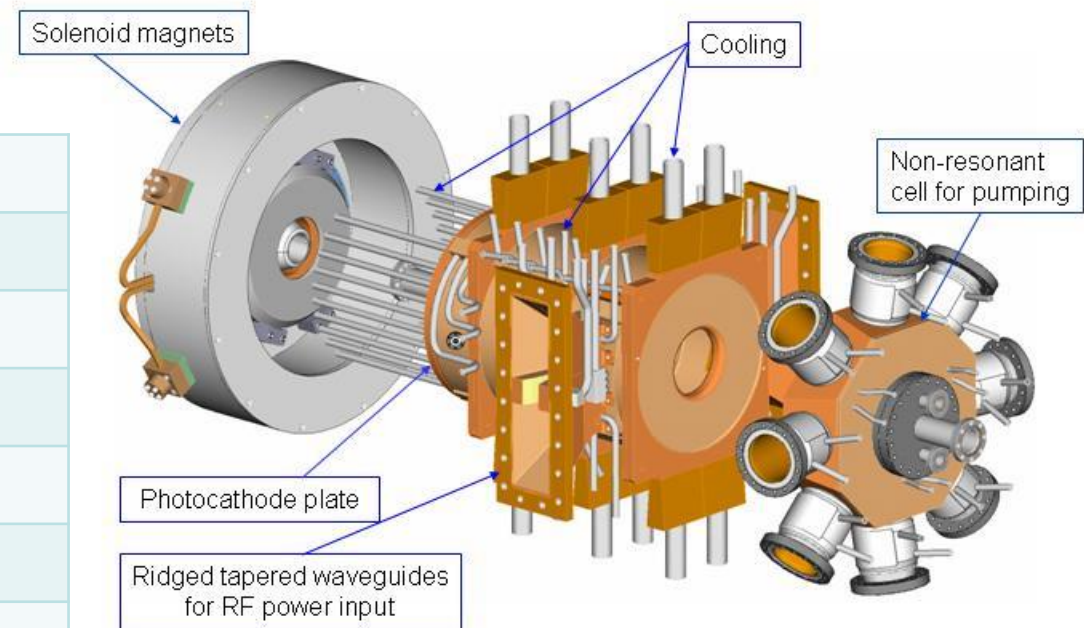
RF frequency	1 GHz
Bunch length	1 – 5 ps
Bunch charge	0.2 nC
Normalized emittance	20 microns
Beam energy (after pre-booster)	1 MeV
Micropulse length	1 – 8 μ s
Micropulse repetition rate	10 Hz



Pulsed gun –
Could it be used as
CW?

Example 2: LANL/AES 2.5-cell Photocathode NCRF gun:

RF frequency	700 MHz
Bunch repetition rate	35 MHz
Average current	100 mA
Bunch length	9 ps
Bunch charge	1 – 3 nC
Normalized emittance	7 microns
Beam energy	2.5 MeV
Energy spread	<1.3%
Ohmic losses	780–820 kW
E cathode	10 MV/m



CW SRF Gun Options

Example 1: Rossendorf (BESSY-DESY-FZD):A. Burrill, EIC14

	Injector 0	Injector 1	Injector 2
Goal	Beam Demonstrator	Brightness R&D Injector	High-current injector
Electron energy	≥ 1.5 MeV		
RF frequency	1.3 GHz		
Design peak field	≤ 50 MV/m		
Operation launch field	≥ 10 MV/m		
Bunch charge	≤ 77 pC		
Repetition rate	30 kHz	54 MHz / 25 Hz	1.3 GHz
Cathode material	Pb	CsK ₂ Sb	CsK ₂ Sb
Cathode QE	10^{-4} at 258 nm	2-10% at 532 nm	2-10% at 532 nm
Laser wavelength	258 nm	532 nm	532 nm
Laser pulse energy	0.15 μ J	1.8 nJ	1.8 nJ
Laser pulse shape	Gaussian	Gaussian/Flat-top	Gaussian/Flat-top
Laser pulse length	2.5 ps FWHM	≤ 20 ps	20 ps
Average current	0.5 μ A	≤ 10 mA / 0.1 mA	100 mA

Example 2: BNL SRF guns program (S. Belomestnykh, EIC14):

Two SRF photoemission guns are under active development:

- I. 704 MHz $\frac{1}{2}$ -cell elliptical gun to deliver high bunch charge and high average current beams for R&D ERL
- II. 112 MHz QWR gun is designed to produce high bunch charges, but low average beam currents for Coherent electron Cooling (CeC) Proof-of-Principle experiment

Preparing for first beam test

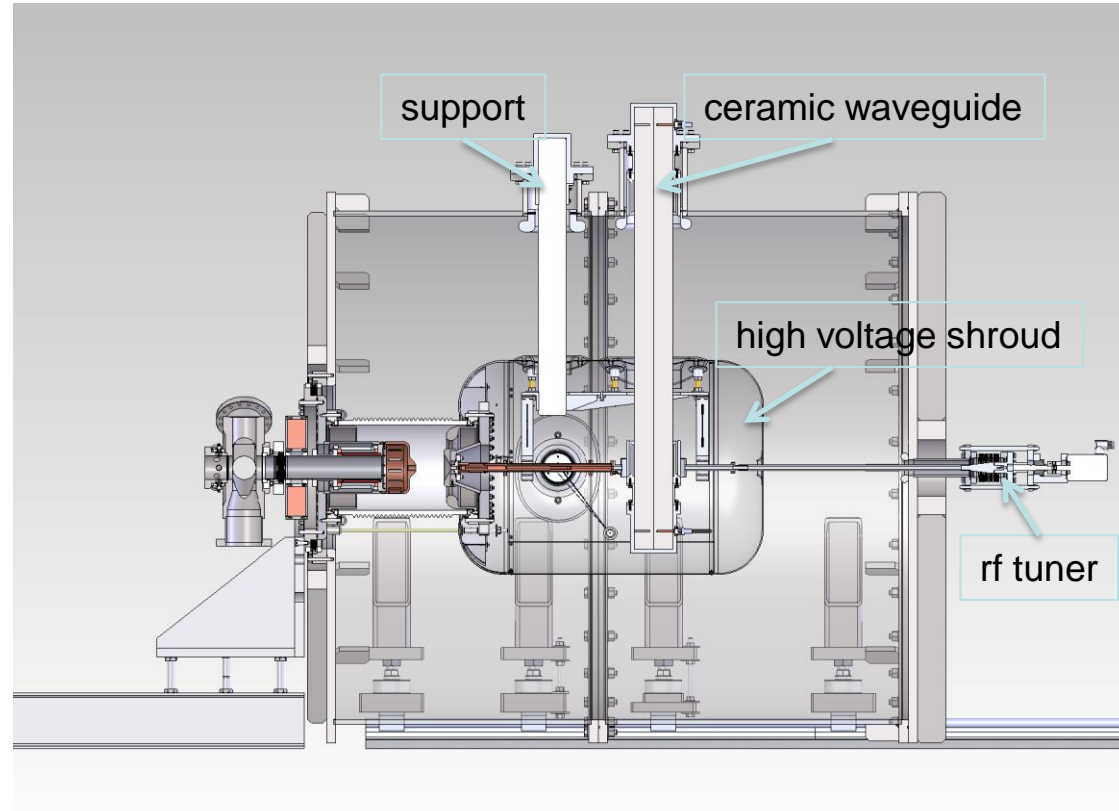
Two other SRF guns under development:

- I. 1.3 GHz SRF plug gun for GaAs photocathodes
- II. 84.5 MHz SRF gun for eRHIC CeC injector

Thermionic Gun Options

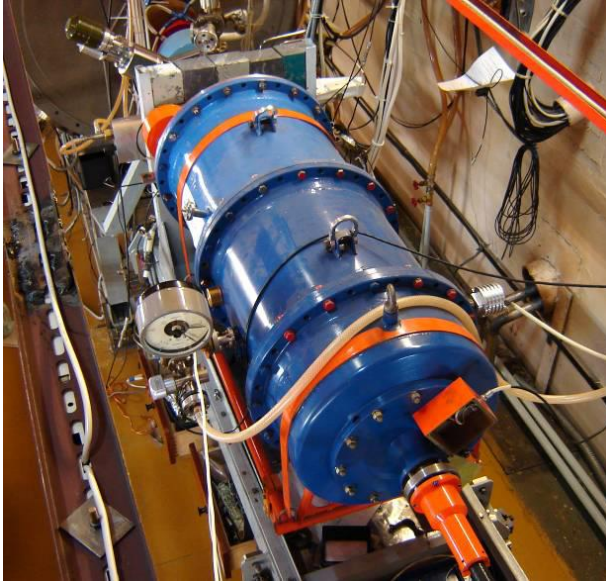
Example 1: TRIUMF e-Linac for photo-fission of actinide target materials to produce exotic isotopes:

- BaO: 6 mm diameter, 775°C
- Grid at 650 MHz
- Gun HV: 300 kV
- Average current: 25 mA
- Bunch charge: 38 pC



- Normalized emittance: 30 microns. Emittance is dominated by electric field distortion caused by grid.

Example 2: Thermionic Gun and 1.5 MeV Injector of BINP's NovoFEL. B.A. Knyazev *et al.*, Meas. Sci. Tech. **21**, 054017 (2010):

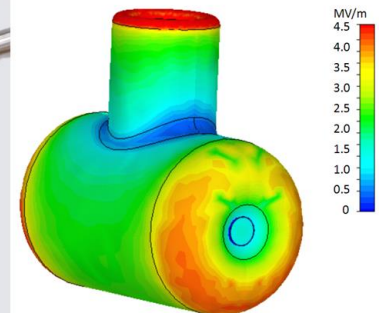
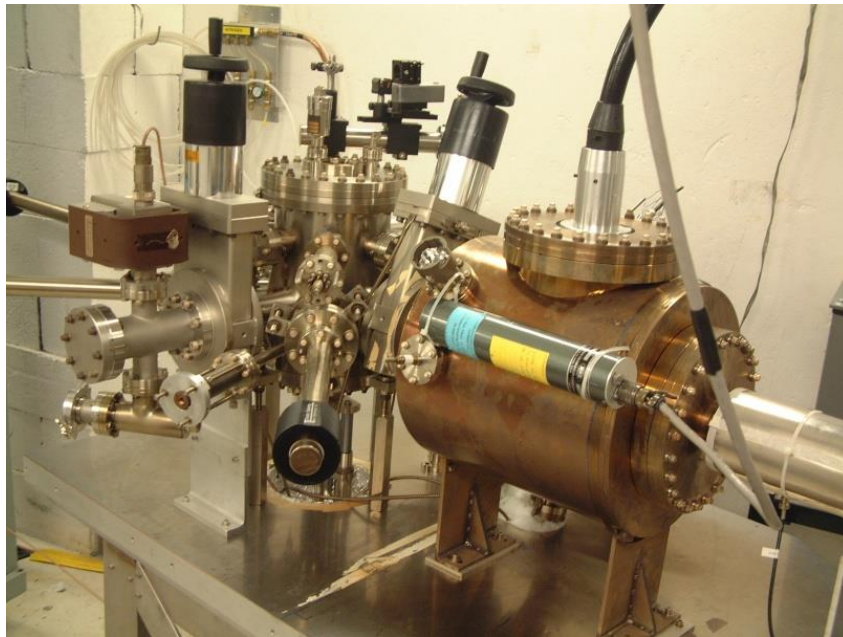


Gun HV	300 kV
Maximum peak current	1.8 A
Maximum average current	30 – 45 mA
Maximum bunch repetition rate	22.5 MHz
Bunch length	1.3 ns
Bunch charge	1.5 – 2 nC
Normalized emittance	10 microns

Photogun Options

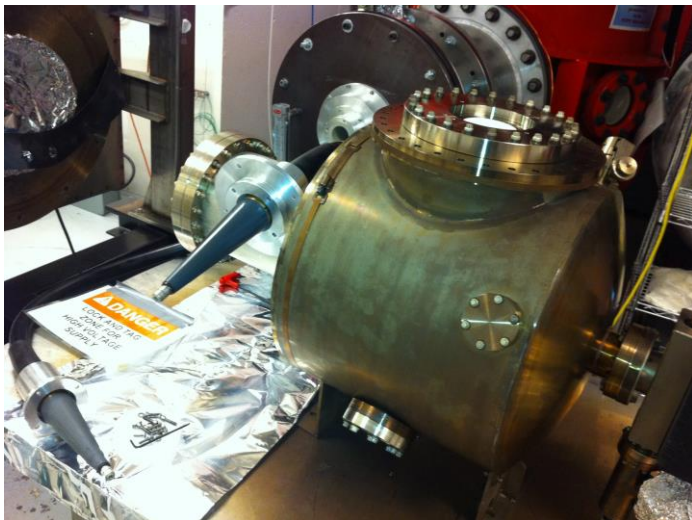
Example 1: JLab 200 kV Inverted dc Gun with K_2CsSb photocathode:

- Average beam current: 10 mA
- Laser: 532 nm, dc
- Lifetime: very long (weeks)
- Thermal emittance: 0.7 microns/mm(rms)



Example 2: JLab 350/500 kV Inverted dc Gun:

	200 kV Gun	350/500 kV Gun
Chamber	14" ϕ	18" ϕ
Cathode	2.5" T-shaped	6" ϕ Ball
Cathode Gap	6.3 cm	6.3 cm
Inverted Ceramic	4" long	7" long
HV Cable	R28	R30
HV Supply	Spellman 225 kV, 30 mA	Glassman 600 kV, 5 mA
Maximum Gradient	4 MV/M	7 (10) MV/m



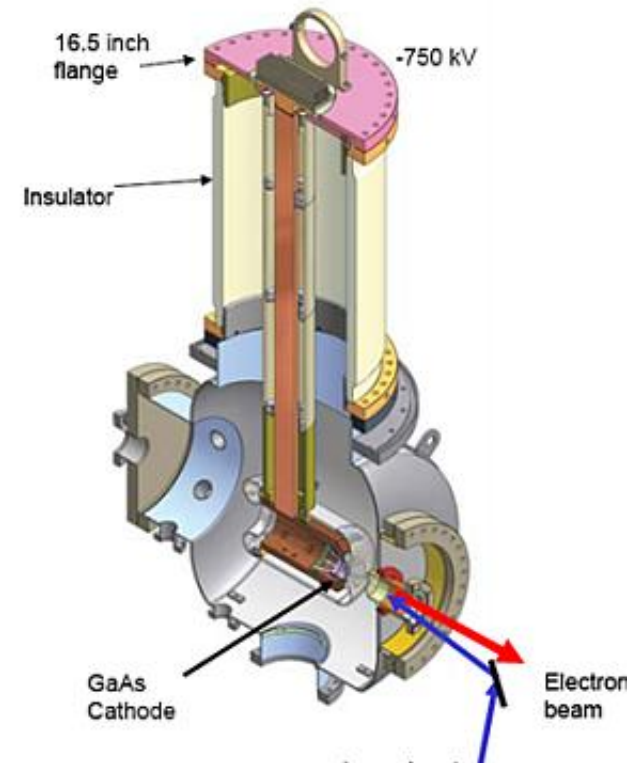
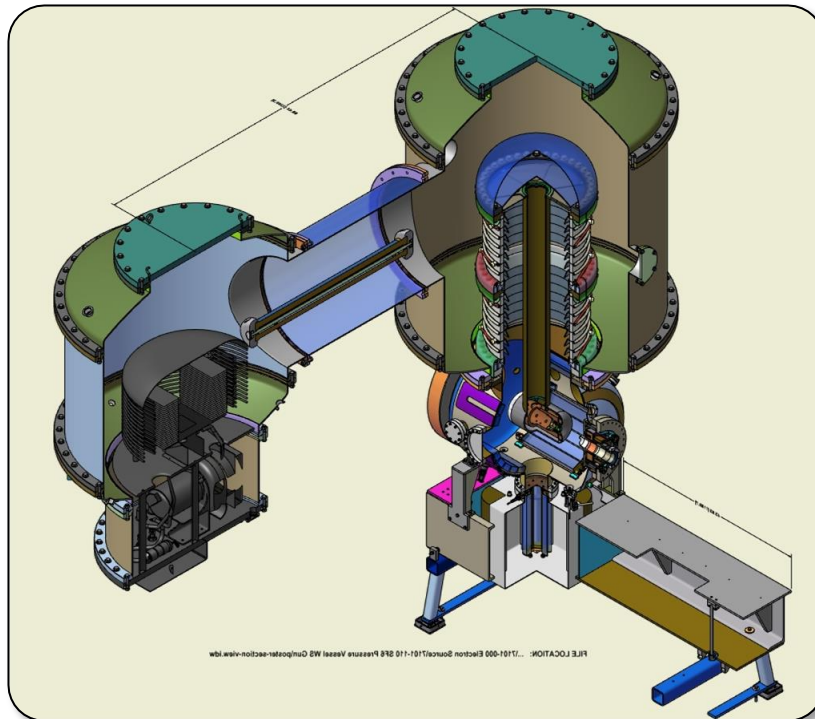
Achieved 350 kV with no FE, next:

- Keep pushing to reach 500 kV
- Run beam with K_2CsSb photocathode

Example 3: Cornell dc Gun with K_2CsSb photocathode:

Dunham et al., Appl. Phys. Lett. 102, 034105 (2013)

- Gun HV: currently operating at 350 kV (designed 500-600 kV)
- Average beam current: 65 mA for 9 hours (lifetime 2.6 days)
- Bunch charge: 50 pC
- Bunch length: 10 ps, 1.3 GHz
- Normalized emittance: <0.5 microns



Magnetized Beam and Emittance Compensation

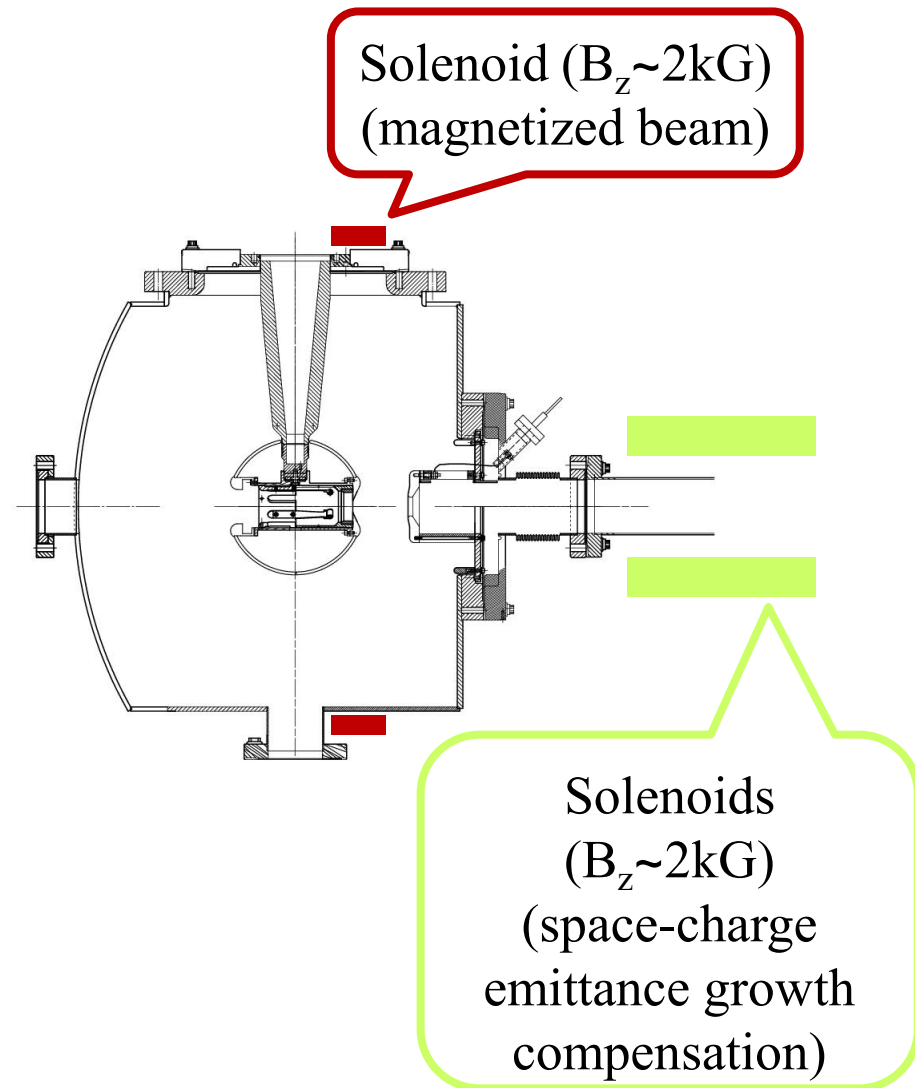
I. Magnetized Cathode:

- To produce magnetized (angular-momentum-dominated) electron beam to ensure zero angular momentum inside cooling-solenoid section)

II. Injector Solenoids:

- To compensate space-charge emittance growth

III. Will be easier to implement with compact gun (inverted photogun or thermionic gun)



Summary

- I. Thermionic gun would be our first choice (less maintenance but may need complicated injector):
 - **TRIUMF/BINP Gun with Inverted Ceramic**

- II. For better emittance, a dc HV photogun is good option:
 - **JLab 350/500 kV Inverted Gun and JLab multi-alkali photocathode (Na_2KSb or K_2CsSb)**

- III. If one gun cannot provide 200 mA, then use two or three guns and combine beams using RF combiner or dipole magnet

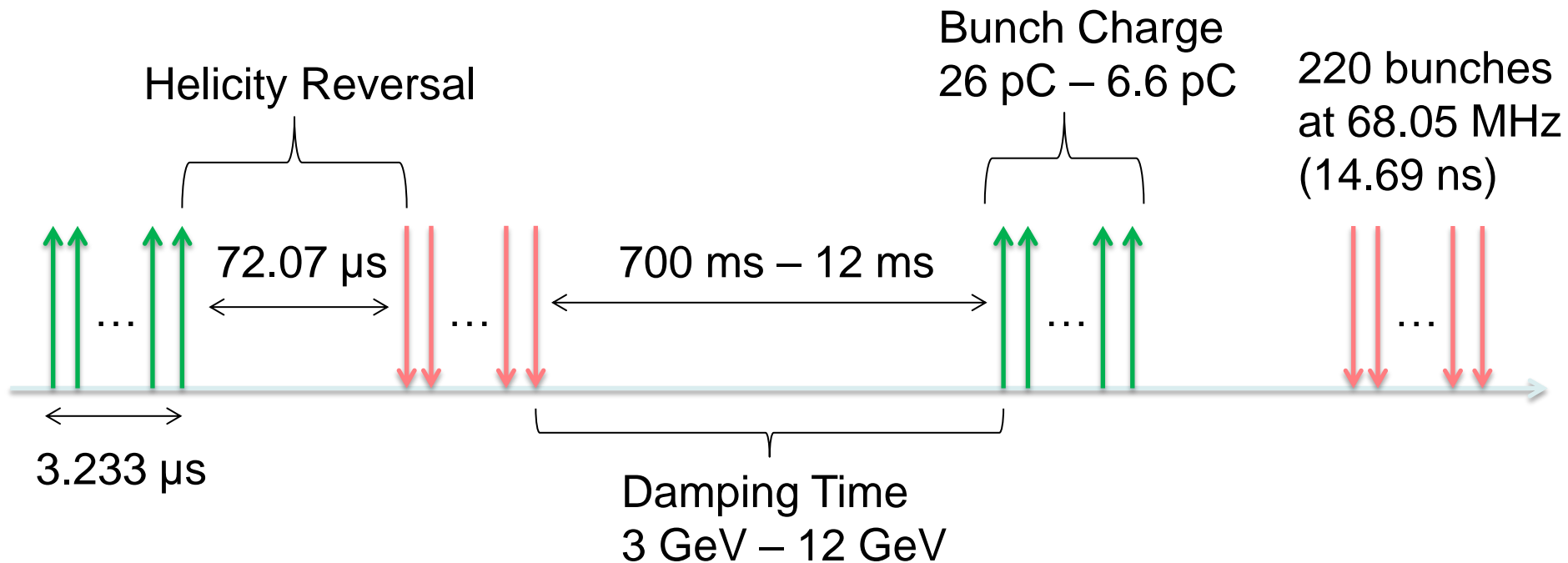
LDRD: 200 mA Magnetized Beam

- I. Use JLab 350/500 kV Inverted Gun and K_2CsSb photocathode
- II. Design and build Cathode Solenoid
- III. Generate magnetized beam
- IV. Measure beam magnetization:
 - i. Measure beam emittance vs. beam size
 - ii. Measure directly using slit and screen
 - iii. Measure after round to flat transformation
- V. Study transportation of magnetized beam and round to flat beam transformation
- VI. Measure magnetized photocathode lifetime at high currents
- VII. Repeat with 100 kV thermionic gun loaned to TRIUMF

Backup Slides

MEIC Polarized Electron Source

MEIC Polarized Source



- Pockels cell switching time at CEBAF today $\sim 70 \mu\text{s}$. Planned for Moller Exp. $\sim 10 \mu\text{s}$
- Bunch charge 72 x larger than typical CEBAF, 20 x greater than G0 – Expect to use a gun operating at higher voltage
- 68.05 MHz pulse repetition rate not be a problem for gun, maybe for LINACs
- We are not considering simultaneous beam delivery to fixed target halls, using typical CEBAF beam
- Message: MEIC polarized source requirements do not pose significant challenges

Source Parameter Comparison

Parameter	JLab/FEL	CEBAF	EIC MEIC	EIC eRHIC	Cornell ERL	LHeC	CLIC	ILC
Polarization	No	Yes	Yes	Yes	No	Yes	Yes	Yes
Photocathode	Bulk GaAs	GaAs / GaAsP			K ₂ CsSb			
Width of microbunch (ps)	35	50	50	100	2	100	100	1000
Time between microbunches (ns)	13	2	14.69	106	0.77	25	0.5002	337
Microbunch rep rate (MHz)	75	499	68.05	9.4	1300	40	1999	3
Width of macropulse	-	-	3.233 μs	-	-	-	156 ns	1 ms
Macropulse repetition rate (Hz)	-	-	2x83	-	-	-	50	5
Charge per microbunch (pC)	133	0.36	26	5300	77	640	960	4800
Peak current of microbunch (A)	3.8	0.008	0.52	53	38.5	6.4	9.6	4.8
Laser spot size (cm, diameter)	0.5	0.1	0.3	0.6	0.3	0.5	1	1
Peak current density (A/cm ²)	19	1	7.4	188	500	32	12	6
Average current from gun (mA)	10	0.2	0.001	50	100	25	0.015	0.072

Proposed

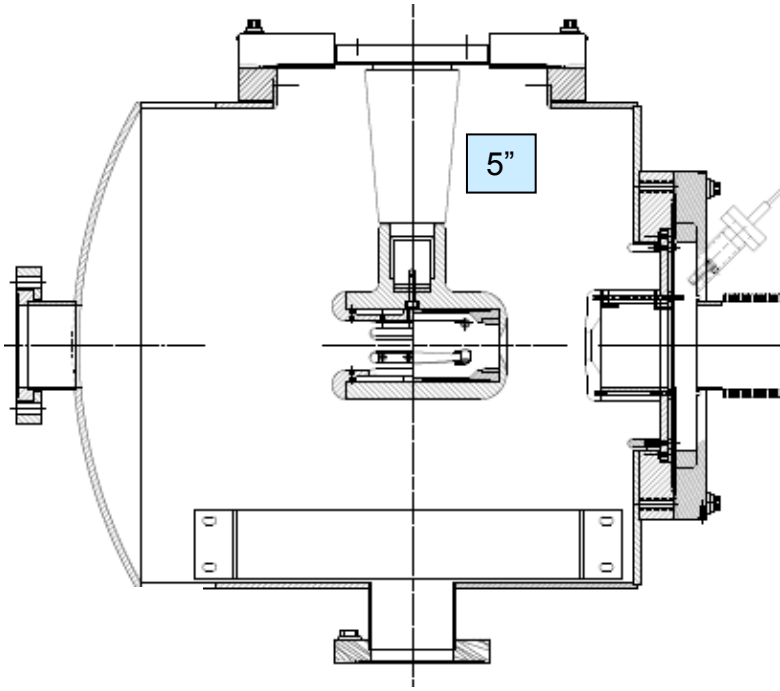
* Unpolarized: Bulk GaAs (Cs,F), K₂CsSb, Na₂KSb, ...
Polarized: GaAs/GaAsP (Cs,F).

Addressing MEIC Bunch Charge

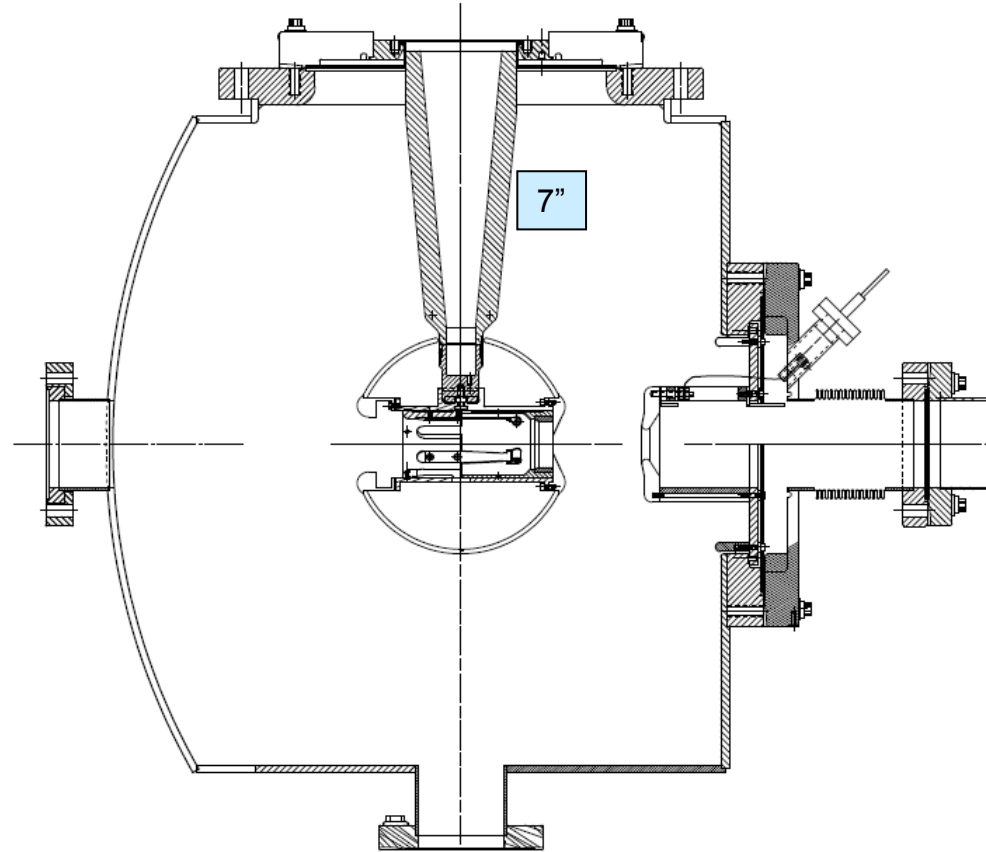
20 to 72 times larger than CEBAF

- I. Larger Laser Size (reduces space-charge emittance growth and suppresses surface charge limit)
- II. Higher Gun Voltage:
 - Reduce space-charge emittance growth, maintain small transverse beam profile and short bunch-length; clean beam transport
 - Compact, less-complicated injector
- III. To accelerate large bunch charge in CEBAF: use RF feedforward system for C100 cryomodules

JLab 500 kV Inverted Gun



200 kV Inverted Gun



- Longer insulator
- Spherical electrode