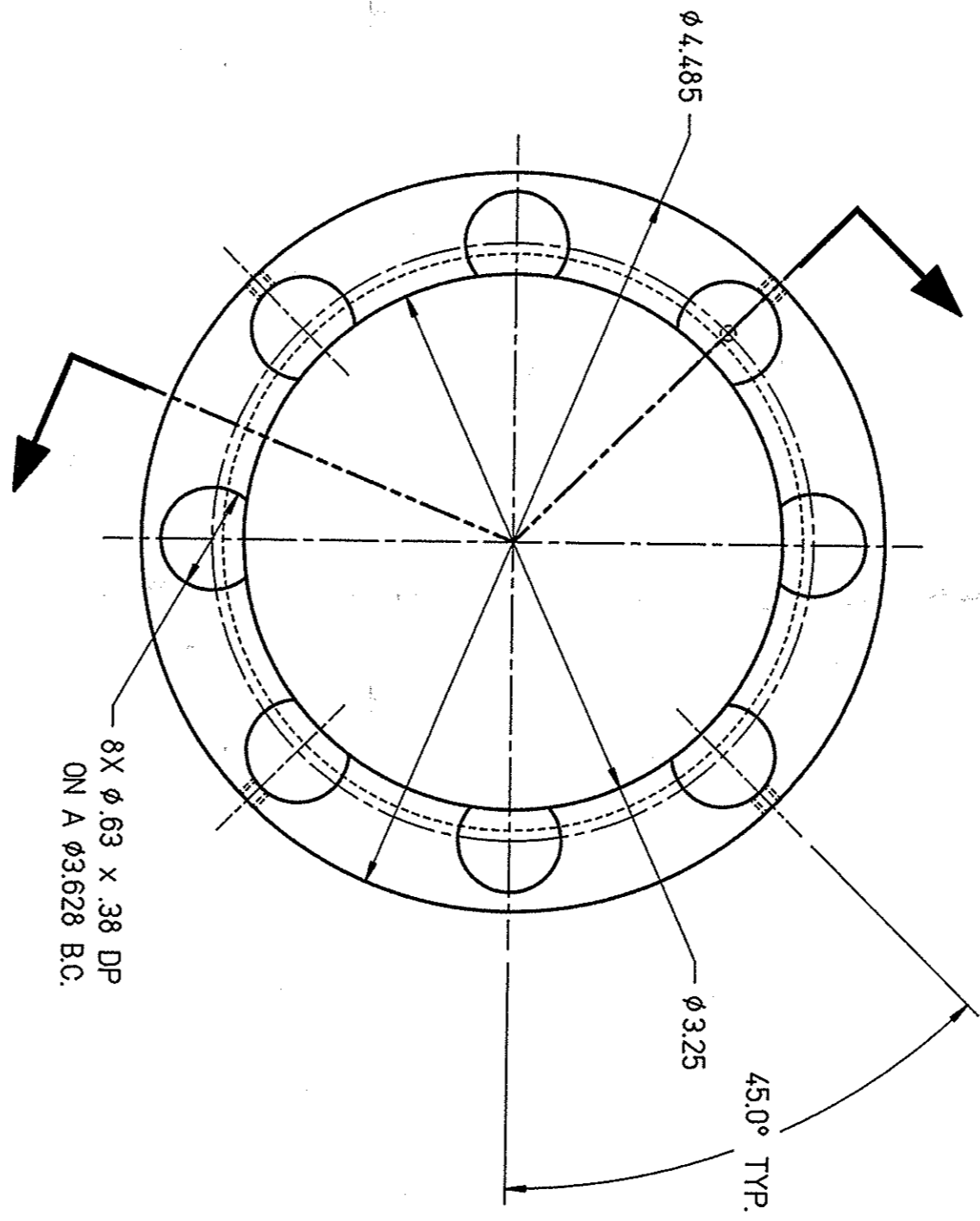
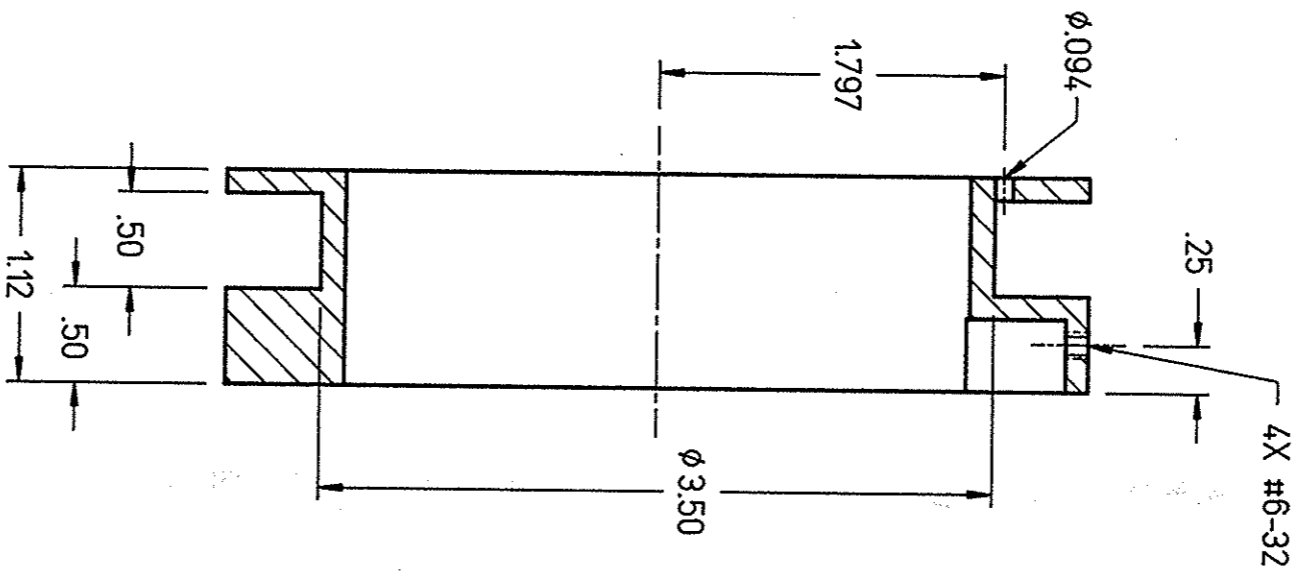


DWG. NO.	39200-C-0213	SHT. 1	REV. 1
REVISIONS			
ZONE	REV.	DESCRIPTION	DATE
			APPROVED



QTY	ITEM	PART OR IDENTIFYING NO.	NOMENCLATURE OR DESCRIPTION	MATERIAL SPECIFICATION	NOTES
DIM & TOL PER ANSI Y14.5 UNLESS OTHERWISE SPECIFIED DIMENSIONS ARE IN INCHES FRACTIONS ARE IN ANGLES		CADD I.D. NO.	PARTS LIST		
TOLERANCES ARE: .XXX ± .02 ± 1/2° .XXX ± .005		392000213	Thomas Jefferson National Accelerator Facility NEWPORT NEWS, VIRGINIA UNITED STATES DEPARTMENT OF ENERGY		
MATERIAL	ALUMINUM 6061	DRAWN	APPROVALS	DATE	
FINISH	125 UNLESS OTHERWISE NOTED	C L HUTTON		05SEP97	
DEBUR & BREAK ALL SHARP EDGES		CHECKED			
DO NOT SCALE DRAWING		D. MA		9/12/97	
		APPROVED		9/12/97	
SCALE FULL		USED ON ASSY NO.	39200-C-0213		REV. -
		SHEET	1 OF 1		

