

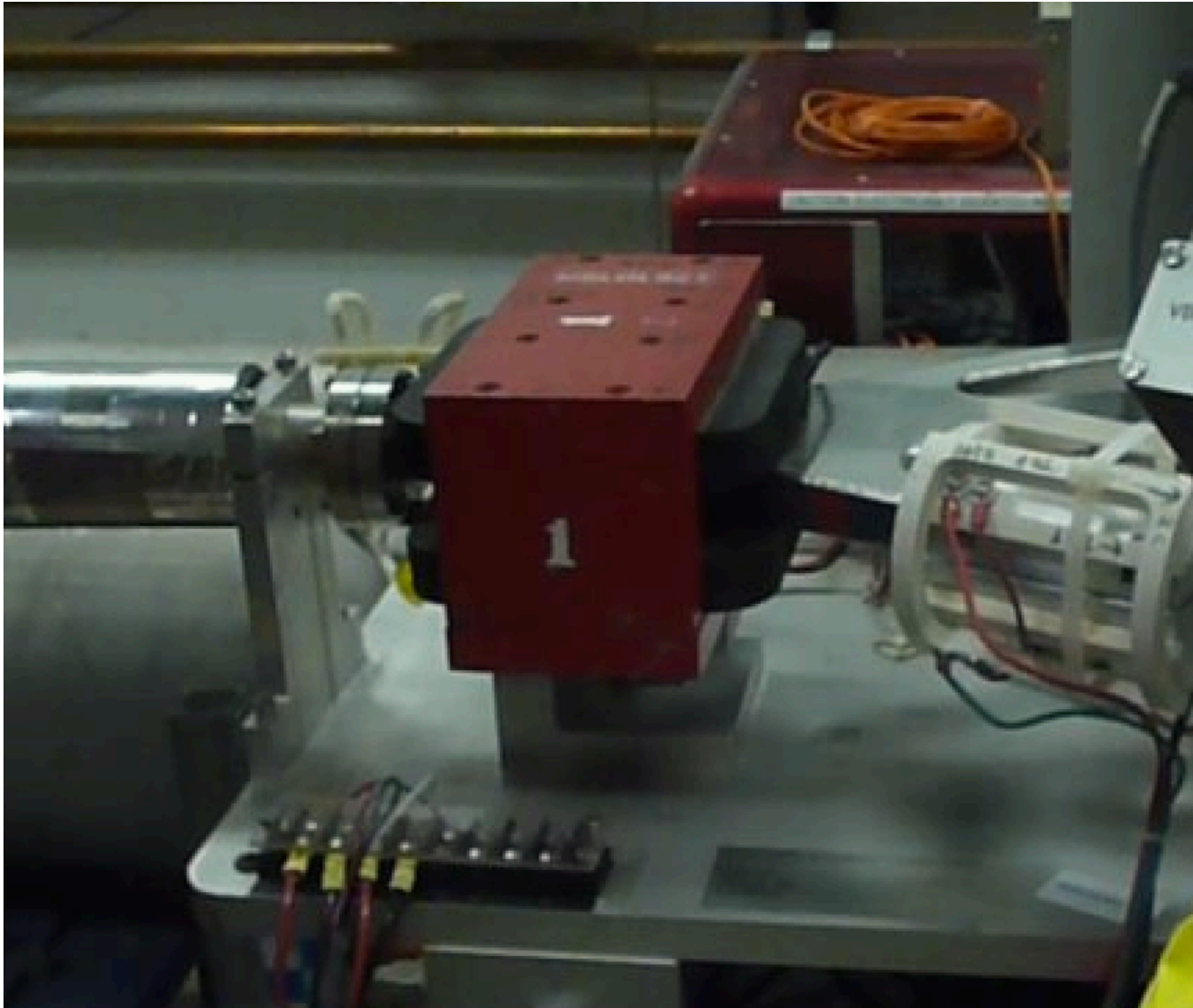
New 5 MeV Dipole Magnet

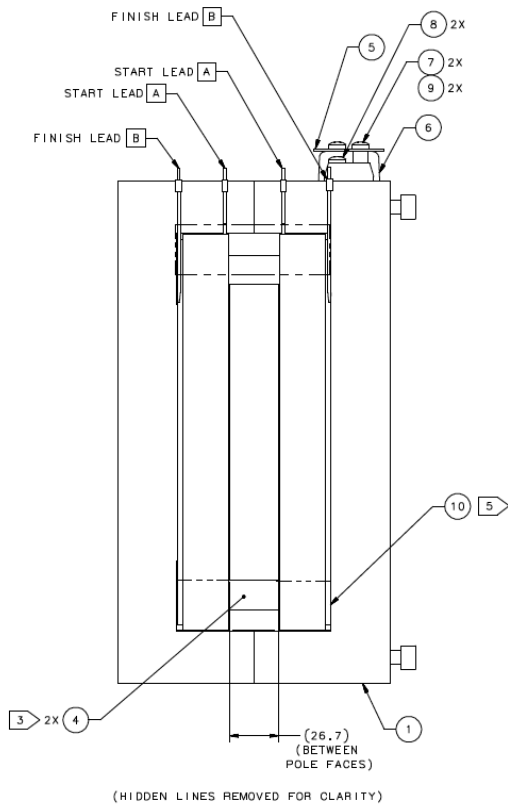
("DL")

Planning Meeting

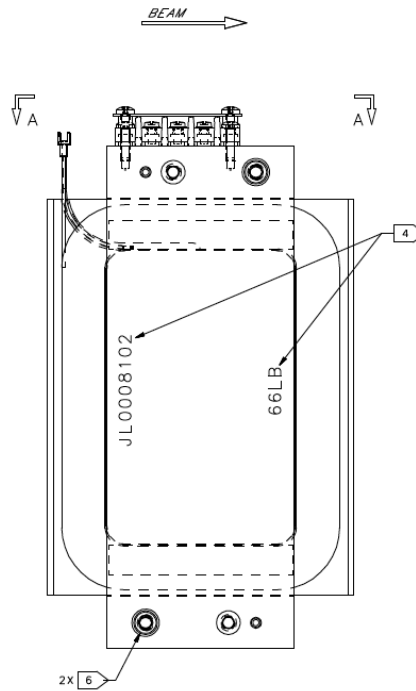
May 23, 2014

We're replacing existing 5MeV Dipole Magnet: MBV0L02





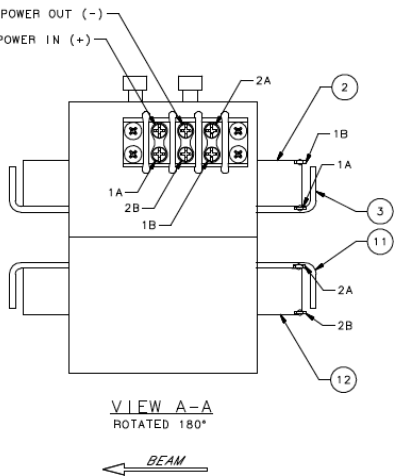
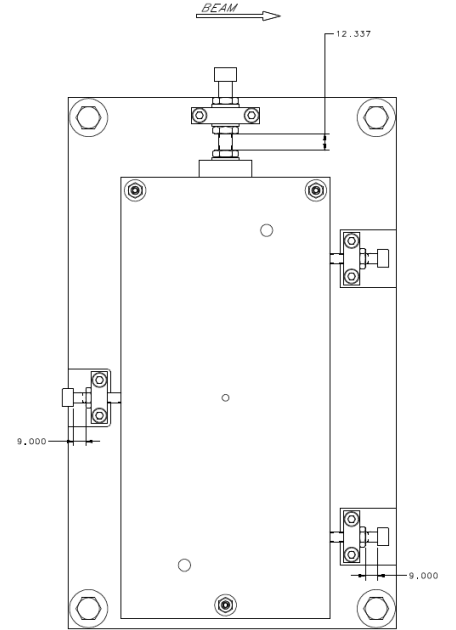
5.8" wide



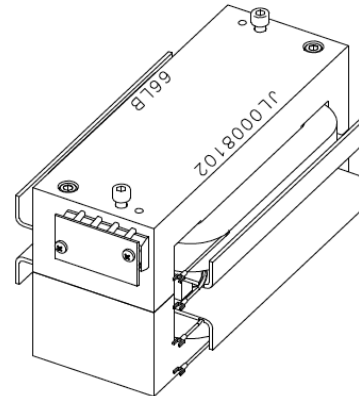
4" wide

PRELIMINARY
04-21-17
REV C

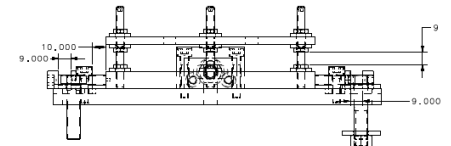
Fixture plate

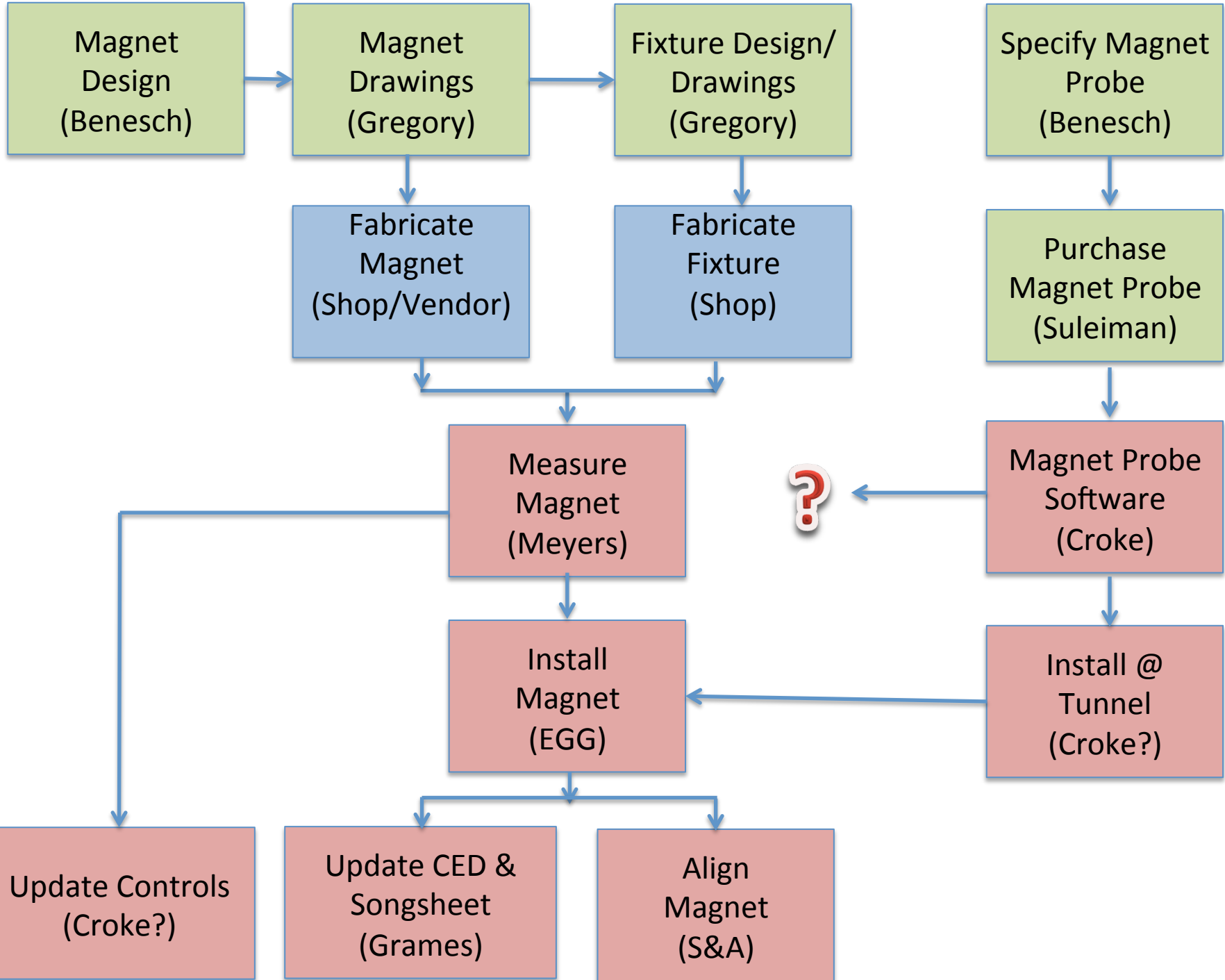


1.05" gap



ISOMETRIC
(NOT TO SCALE)





Details of our To-Do List

Magnet + Fixture

- Grames will monitor and do best to get this here by August 1st

Precision Hall Probe + Controller

- Where?
 - ✓ Installed in CEBAF injector near experiment
 - ✓ Maybe used at MagTest during measurement?
- What?
 - ✓ Remote configuration control
 - ✓ Monitoring of magnetic field (and temperature?) into Archiver
- When?
 - ✓ Before August 1st ... can we shoot for July 15th?

Magnetic Measurements (Jay's wish list)

- Two magnets – twice the opportunity
- Power Supply – standard 10A trim (possibly some tests w/ 20A trim)
- Stretched wire – 1A intervals between max/min on loop
- Hall Probe – Mid-plane @ 5.5A
- NMR – 21 positions @ 5.5A
- Jay & Sarin like to measure AC/DC to evaluate role of copper

This page intentionally not left blank.