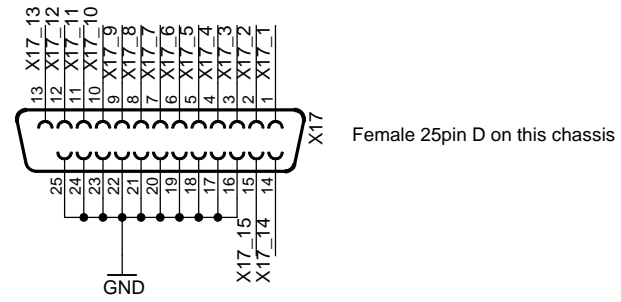
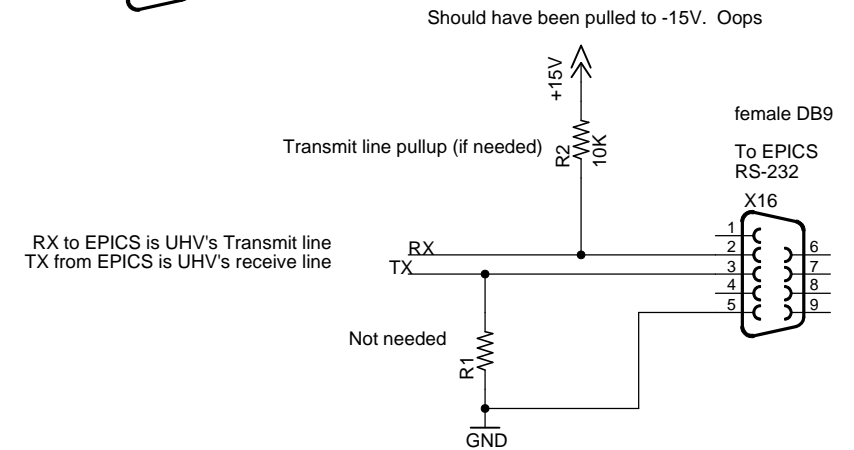
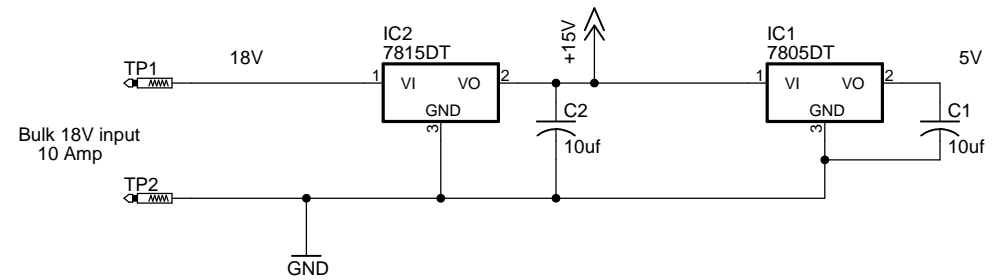
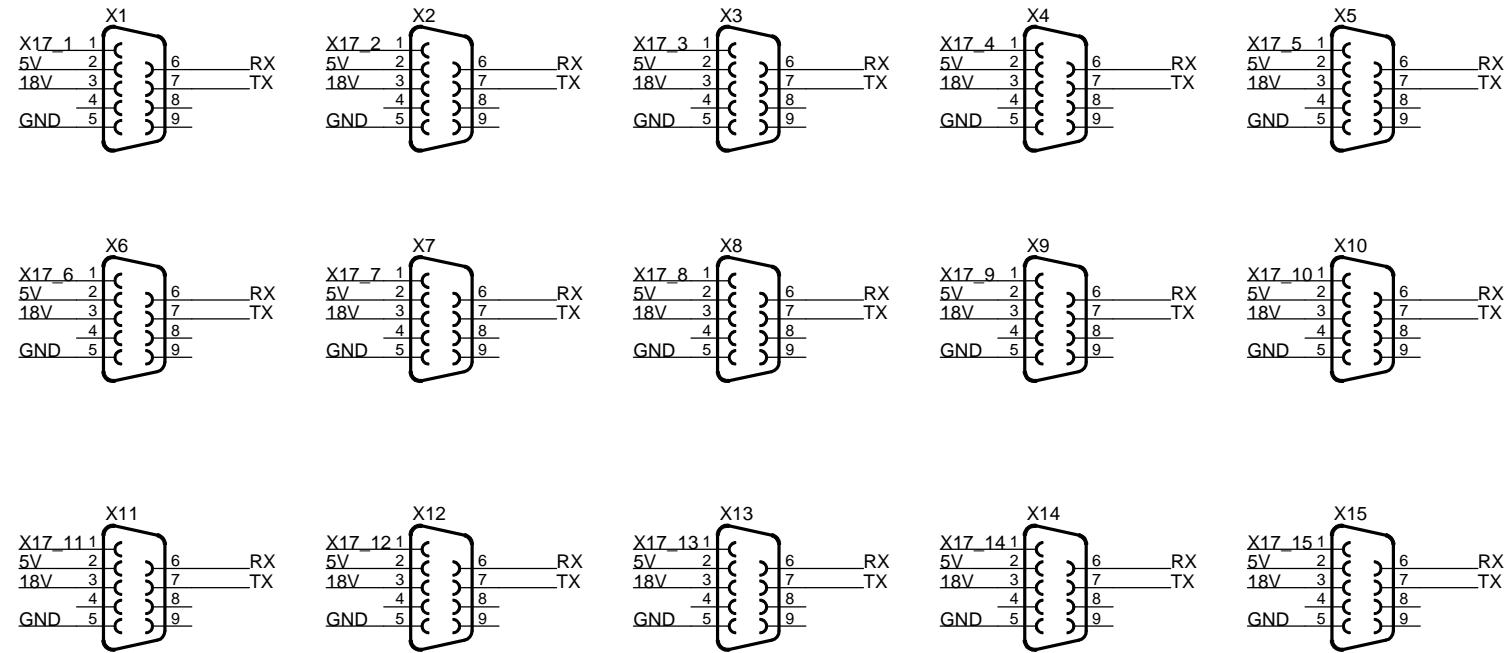


To FSD/Valve Chassis

5 VDC with respect to Ground on each line when vacuum is good. Floating output when vacuum is bad, so FSD chassis should have a pull-down resistor or other load.



Cables to 15 UHV Supplies to power them, communicate with them, and get interlock contacts. All are male DB9 so the computer RS-232 line cannot be plugged in to them by accident.



Title:	auroracom
Version:	
	4/4/2016 5:23:14 PM
Drawn By:	1/1