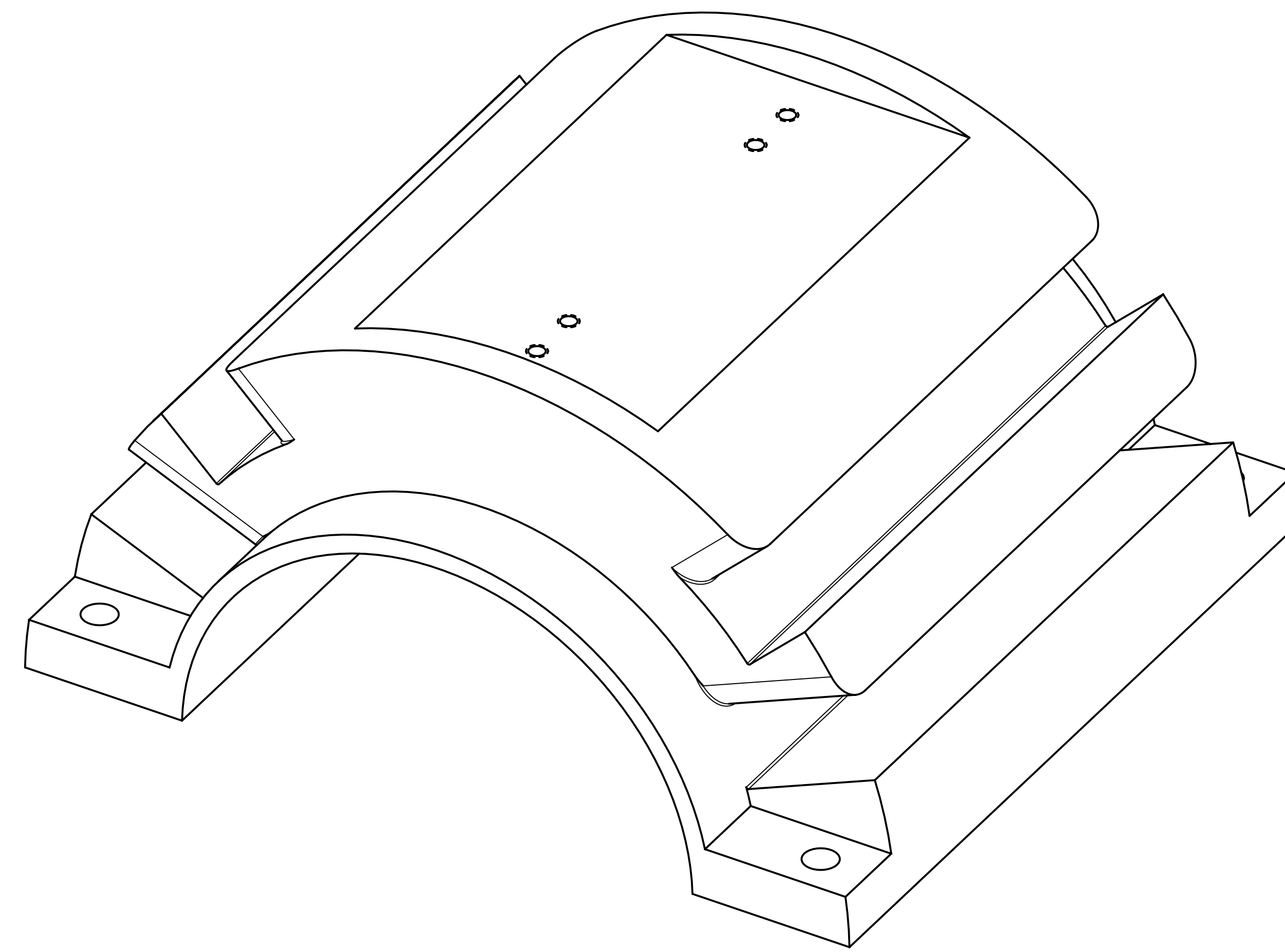
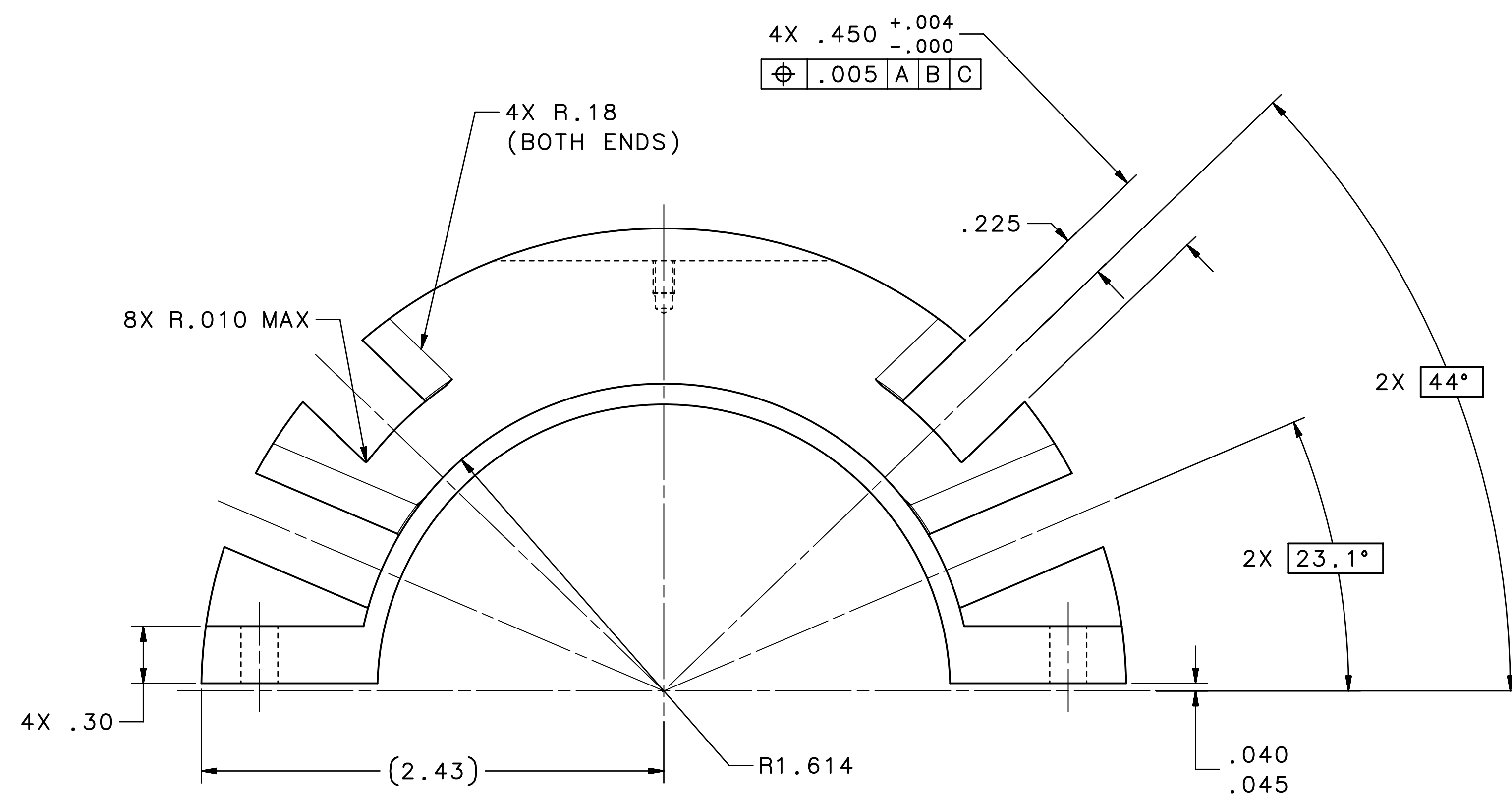


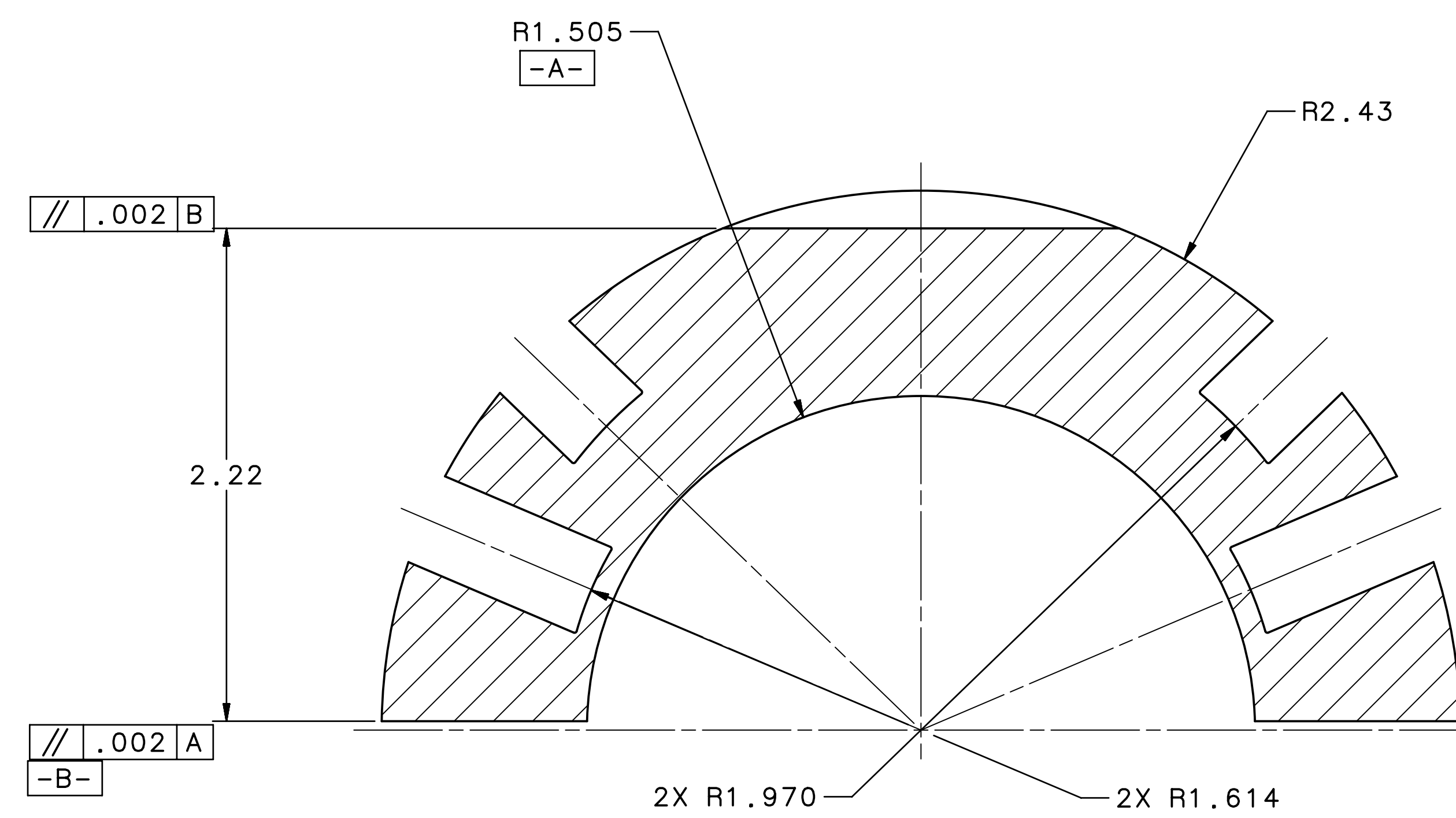
TOP



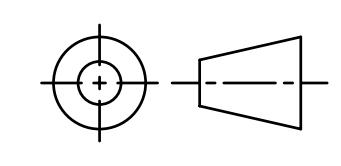
ISOMETRIC VIEW



FRONT



SECTION A-A

EACH SHEET OF MULTI-SHEET DRAWINGS SHALL ALWAYS HAVE THE SAME REVISION LEVEL.		
<small>DIM & TOL PER ASME Y14.5 2009. UNLESS OTHERWISE SPECIFIED DIMENSIONS ARE IN INCHES. TOLERANCES ARE:</small> <small>FRACTIONS DECIMAL ANGLES</small> <small>$\pm 1/16$ $\pm .01$ $\pm 50'$</small> <small>$\pm .005$ $\pm .01$ $\pm .005$</small>	<small>MATERIAL</small> ALUMINUM 6061	United States Department of Energy Jefferson Lab <small>Thomas Jefferson National Accelerator Facility</small> Newport News Virginia
<small>THIRD ANGLE PROJECTION</small> 	<small>FINISH</small> MACHINED SURFACES DEBUR & BREAK ALL SHARP EDGES 125 UNLESS OTHERWISE NOTED	CEBAF INJECTOR 200keV GUN Y CHAMBER DIPOLE COIL FIXTURE
<small>DO NOT SCALE DRAWING</small> DRAWN: E. SKJOLDAGER DATE: 06SEP19	<small>SCALE</small> 2:1 <small>REV. NO.</small> B <small>DATE</small> 06SEP19	<small>SIZE</small> B <small>DWG. NO.</small> JL0087295 <small>REV.</small> - <small>SCALE</small> 2:1 <small>ISS. OR ASSY NO.</small> JL0087835 SHEET 1 OF 1