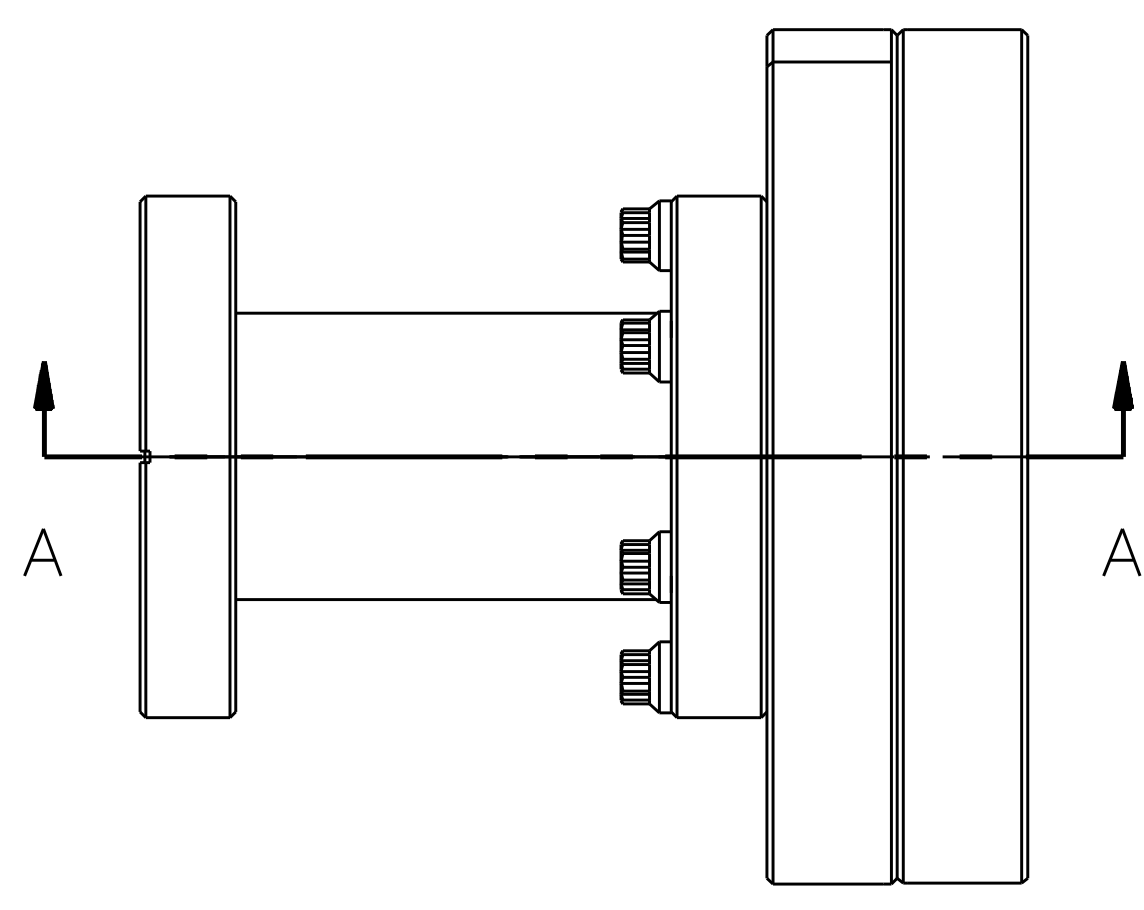
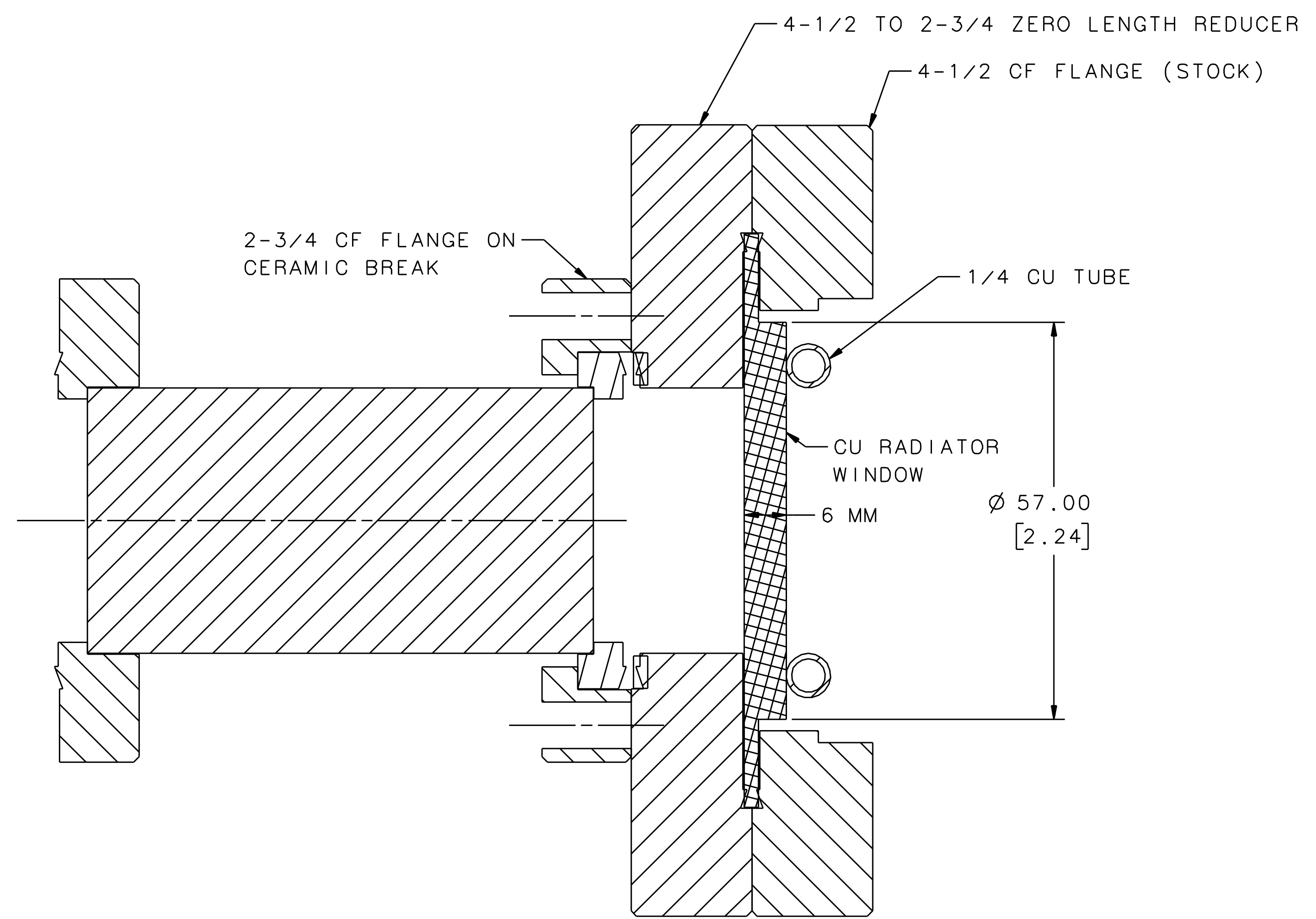


REVISION HISTORY				
ZONE	REV	DESCRIPTION	DATE	APPROVED



SECTION A-A

QTY REQD	ITEM NO	PART OR IDENTIFYING NO	NOMENCLATURE OR DESCRIPTION	MATERIAL SPECIFICATION	NOTES
1	9	JL0015686	1/2 TUBE CU RADIATOR		
1	8	VAC5000133-0002-03	ICON 2.75 CF TAPPED HOLE 0.88 LG BOLT		
1	7	JL0015685	CU RADIATOR ASSEMBLY		
1	6	275-150-R	FLANGE-CF, 2.75X1.5 TUBE,R	304 STAINLESS STEEL	
1	5	MDC 150008	ZERO LENGTH REDUCER 4-1/2 TO 2-3/4		
1	4	JL0015684	REUSE		
1	3	450-250-T	FLANGE-CF, 4.5X2.5 TUBE,NR	304 STAINLESS STEEL, UNS S30400	
1	2	275-150	FLANGE-CF, 2.75X1.5 TUBE,NR	304 STAINLESS STEEL, UNS S30400	
1	1	JL0014336	CERAMIC BREAK 2-3/4 FLG X 2-9/16 LG		

PARTS LIST

DIM & TOL PER ASME Y14.5, UNLESS OTHERWISE SPECIFIED DIMENSIONS ARE IN INCHES. TOLERANCES ARE: FRACTIONS DECIMAL ANGLES ± N/A .X ± .1 .XX ± .01 .XXX ± .005	MATERIAL *	United States Department of Energy Jefferson Lab <small>Thomas Jefferson National Accelerator Facility</small> Newport News Virginia	
		Enter_value_ProjectID Enter_value_System Enter_value_Sub_System CU RADIATOR ASSEMBLY	
THIRD ANGLE PROJECTION 	FINISH 125 UNLESS OTHERWISE NOTED SURFACES DEBURR & BREAK ALL SHARP EDGES	DO NOT SCALE DRAWING	SIZE DWG. NO. JL0015685 SCALE 1:1 USCO ON ASSY NO. ***** SHEET 1 OF 1