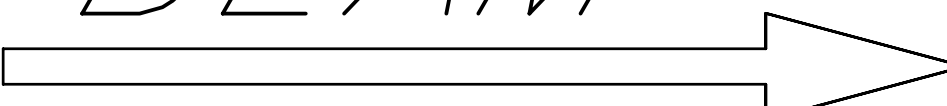


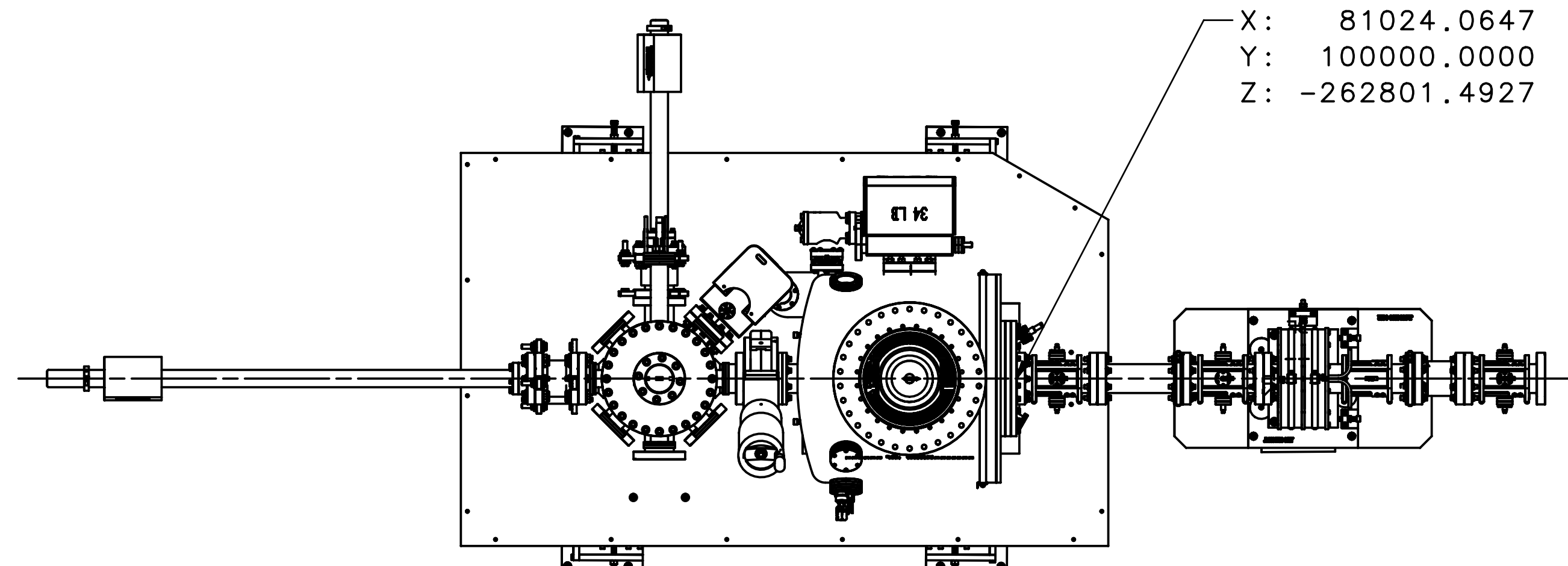
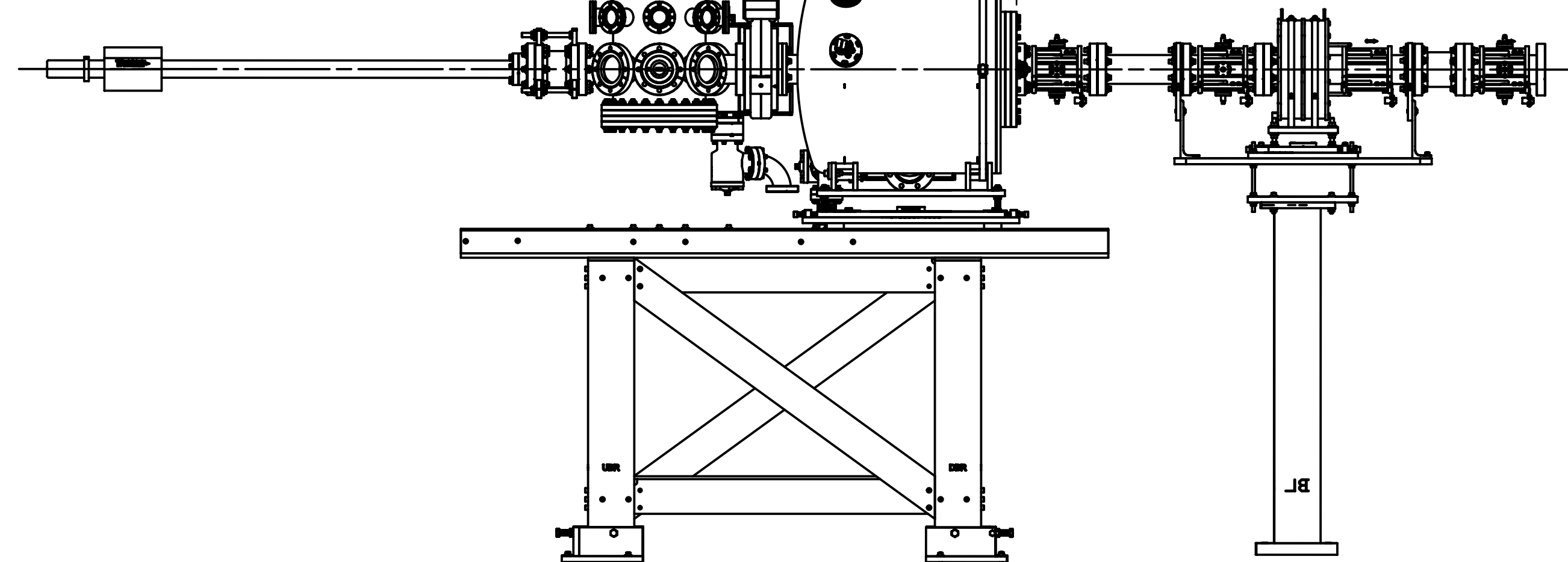
REVISION HISTORY		
ZONE	REV	DESCRIPTION

BEAM



11.378 9.25

X: 81087.4596
Y: 100262.4836
Z: -263027.7284
POSITIONS FROM CHRIS
TOP FLANGE OF CHAMBER

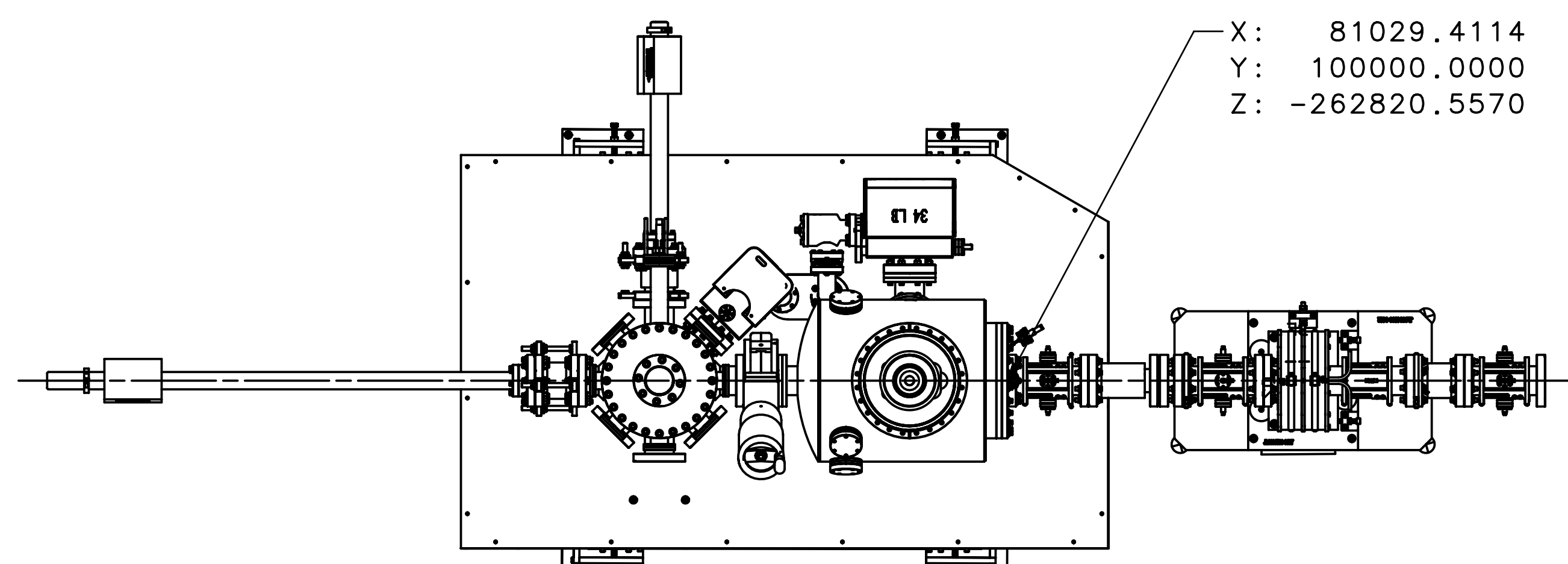
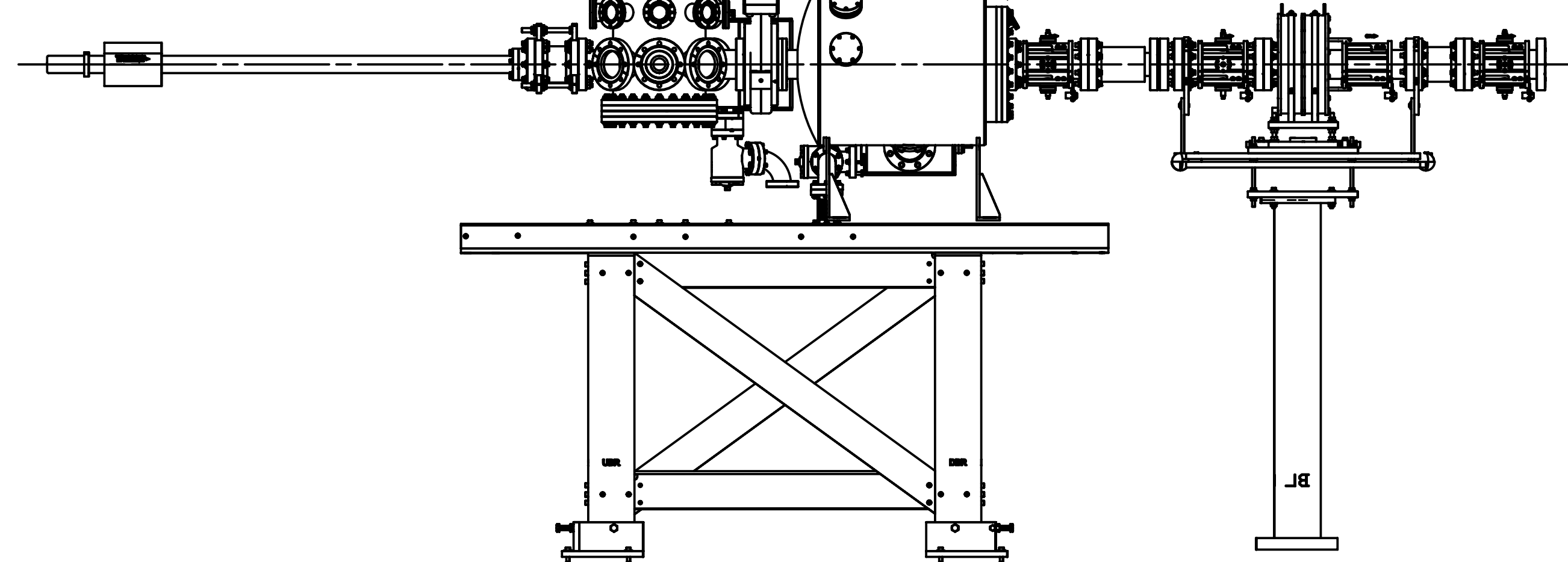


X: 81024.0647
Y: 100000.0000
Z: -262801.4927

18 INCH GUN ARRANGEMENT R30-3

11.380 8.47

X: 81087.4596
Y: 100262.4836
Z: -263027.7284
POSITIONS FROM CHRIS
TOP FLANGE OF CHAMBER



X: 81029.4114
Y: 100000.0000
Z: -262820.5570

14 INCH GUN ARRANGEMENT R28-2

EACH SHEET OF MULTI-SHEET DRAWINGS SHALL ALWAYS HAVE THE SAME REVISION LEVEL.			
DIM & TOL PER ASME Y14.5 2009. UNLESS OTHERWISE SPECIFIED DIMENSIONS ARE IN INCHES. TOLERANCES ARE: FRACTIONS DECIMAL ANGLES ± 1/32 ± .01 ± 30° XX ± .01 ± 30° XXX ± .005	MATERIAL SEE PARTS LIST	United States Department of Energy	Jefferson Lab Thomas Jefferson National Accelerator Facility Newport News Virginia
THIRD ANGLE PROJECTION 	FINISH UNLESS OTHERWISE NOTED MACHINED SURFACES 125 DEBUR & BREAK ALL SHARP EDGES	MATERIALS MATERIALS MISCELLANEOUS SECTION 01-PHOTO-GUN TO VB2102	
DO NOT SCALE DRAWING	DATE DRAWN	SCALE ***	SIZE (DWG. NO.) JL0091130-0100 REV. -
	DATE DRAWN	SCALE ***	SHEET 1 OF 3