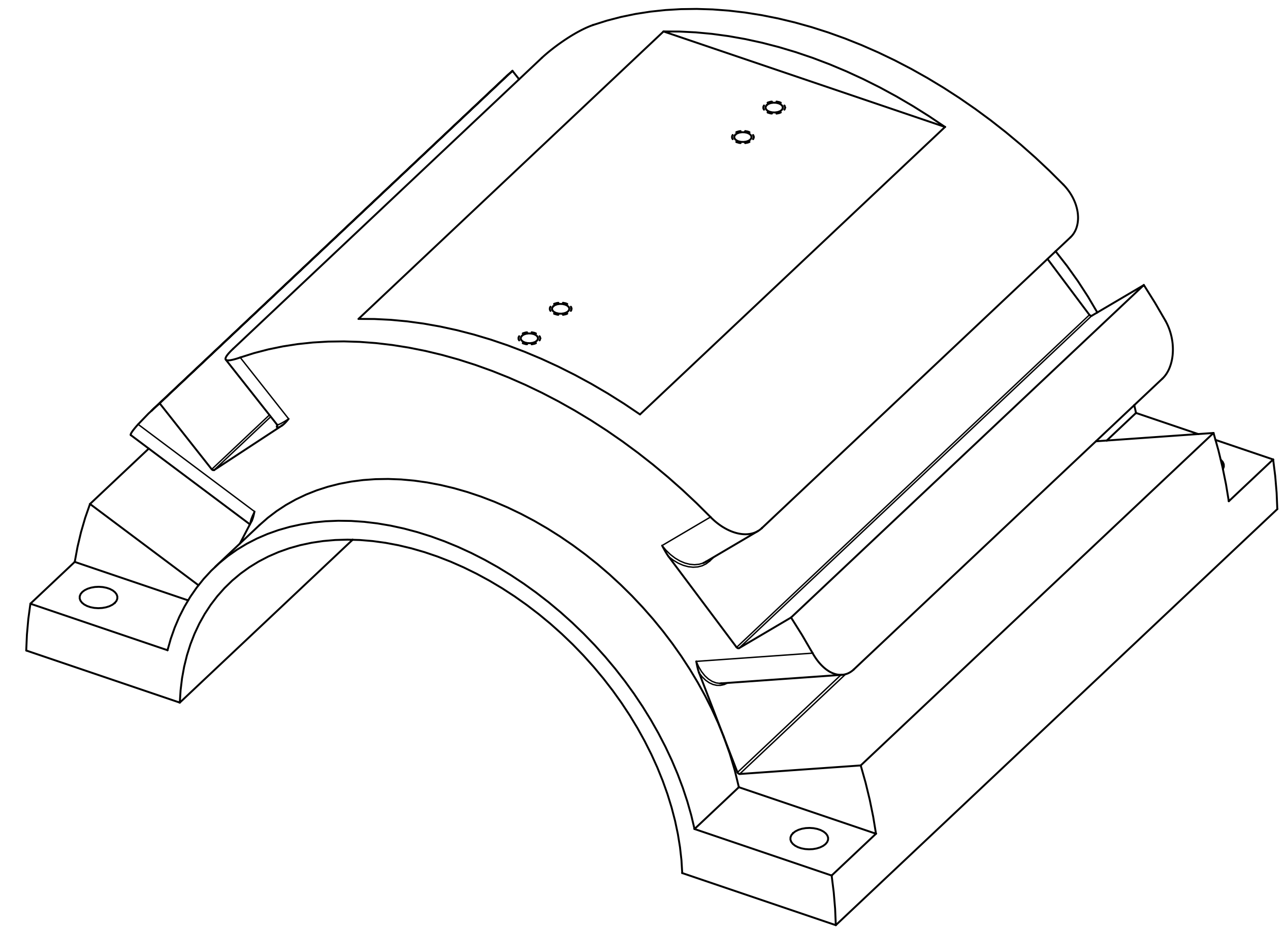
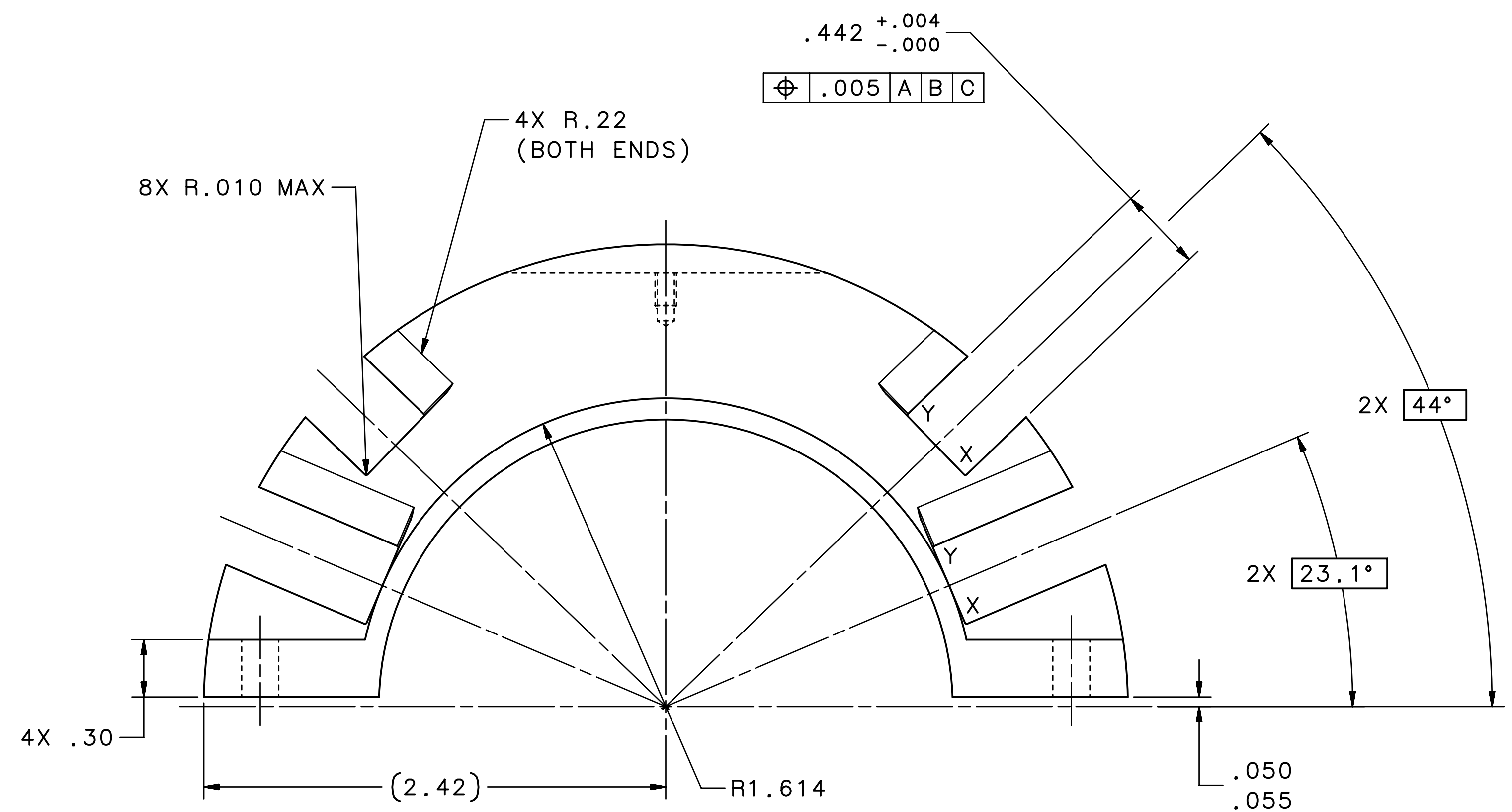


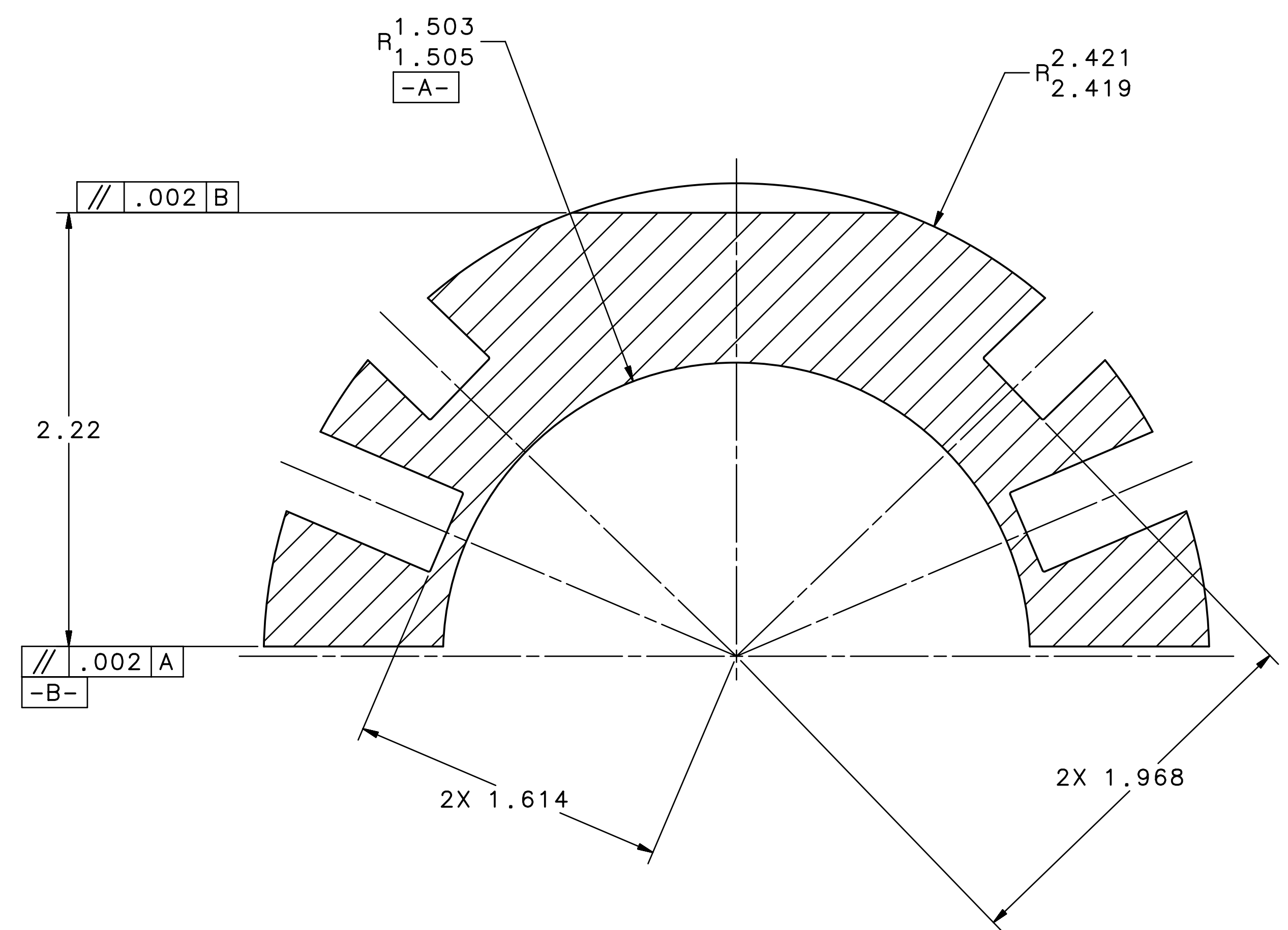
TOP VIEW



ISOMETRIC VIEW



FRONT VIEW



SECTION A-A

NOTES:
 1. START GROOVE MAY BE MACHINED IN CORNERS *X* OR *Y* AT VENDOR'S OPTION.

EACH SHEET OF MULTI-SHEET DRAWINGS SHALL ALWAYS HAVE THE SAME REVISION LEVEL.		United States Department of Energy		Jefferson Lab Thomas Jefferson National Accelerator Facility	Newport News Virginia
MATERIAL ALUMINUM 6061		FINISH MACHINED SURFACES DEBUR & BREAK ALL SHARP EDGES		CEBAF INJECTOR 200keV GUN Y CHAMBER DIPOLE COIL FIXTURE	
DRAWN E. SKJOLDAGER		DATE 06SEP19		SIZE (DWG. NO.) E JL0087295	REV. -
TOLERANCES ARE: FRACTIONS ± 1/16		DECIMAL ± .01 ± .005		SCALE 2:1	
THIRD ANGLE PROJECTION		UNLESS OTHERWISE NOTED		SHEET 1 OF 1	