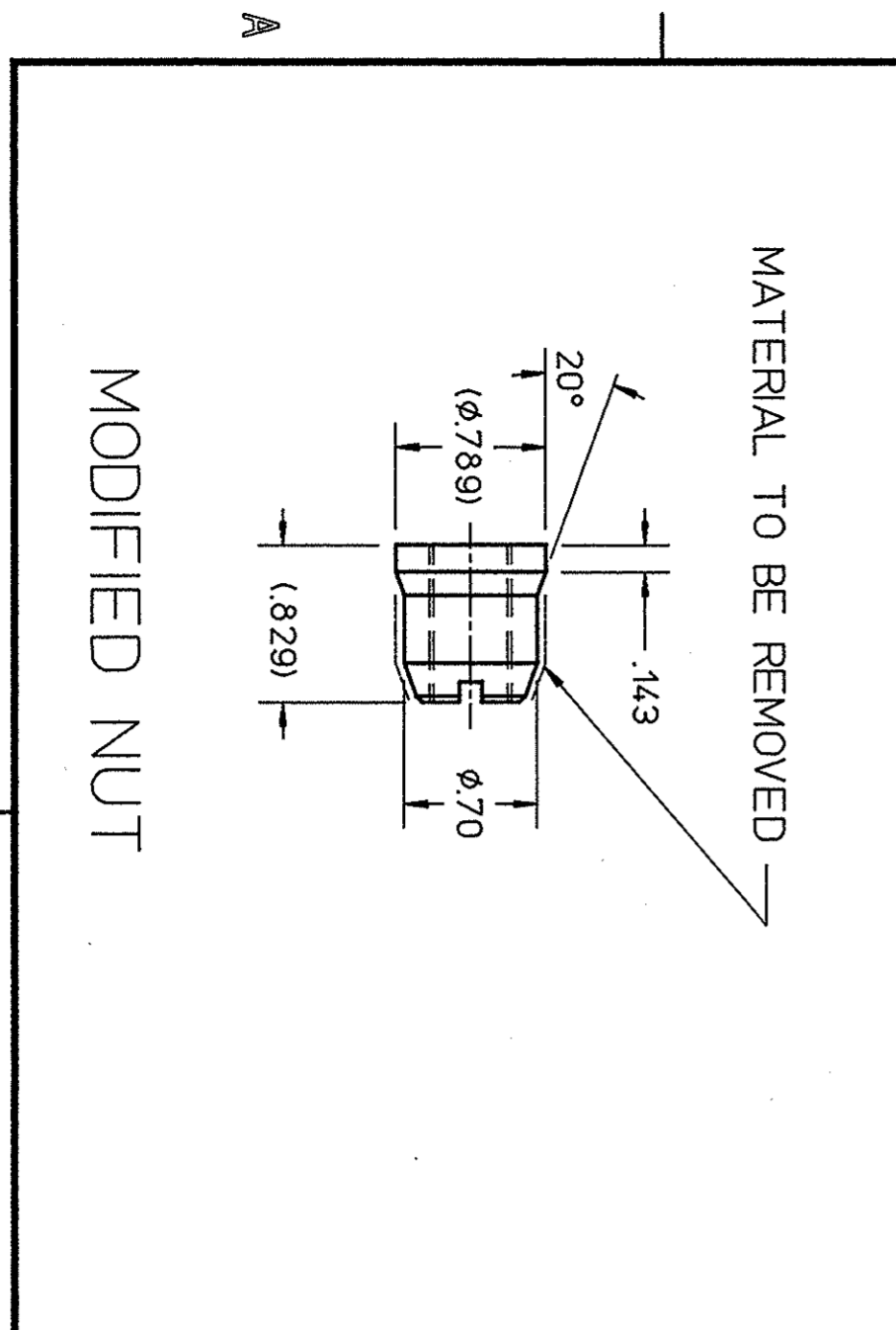
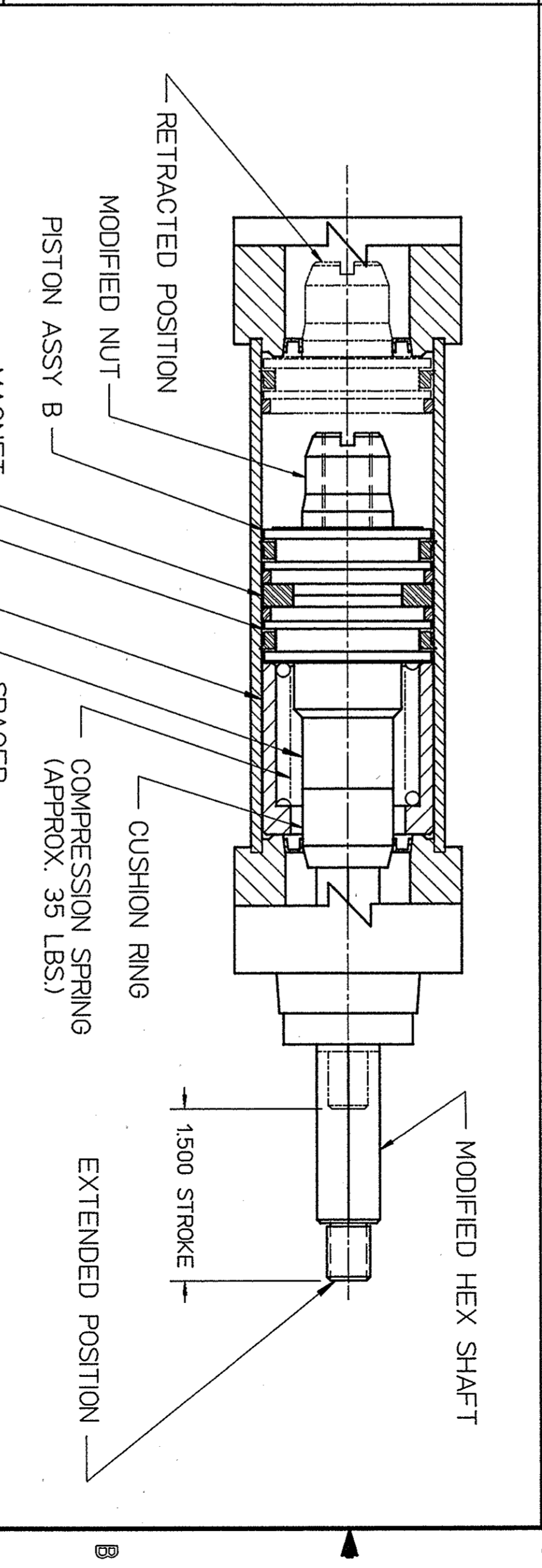
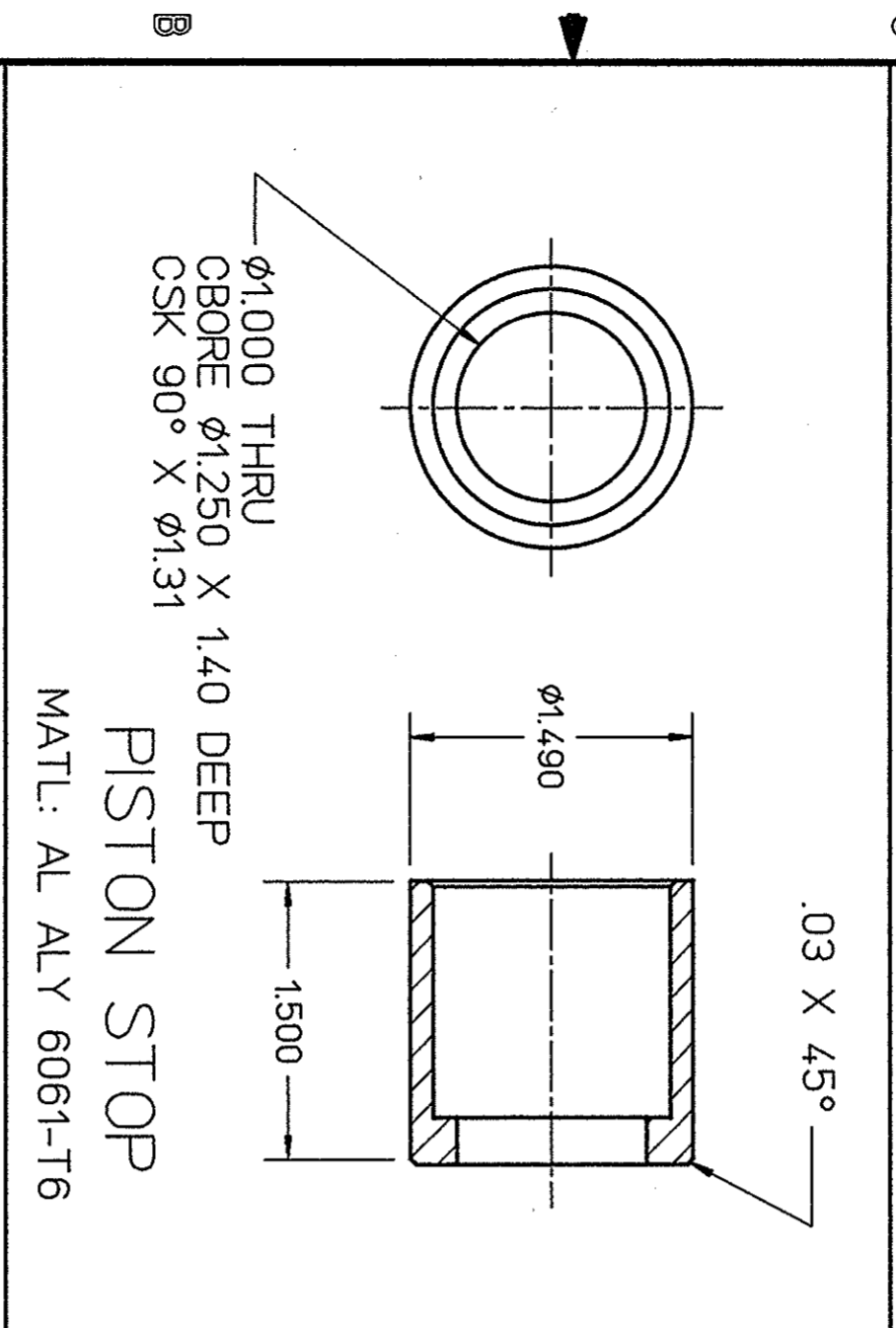
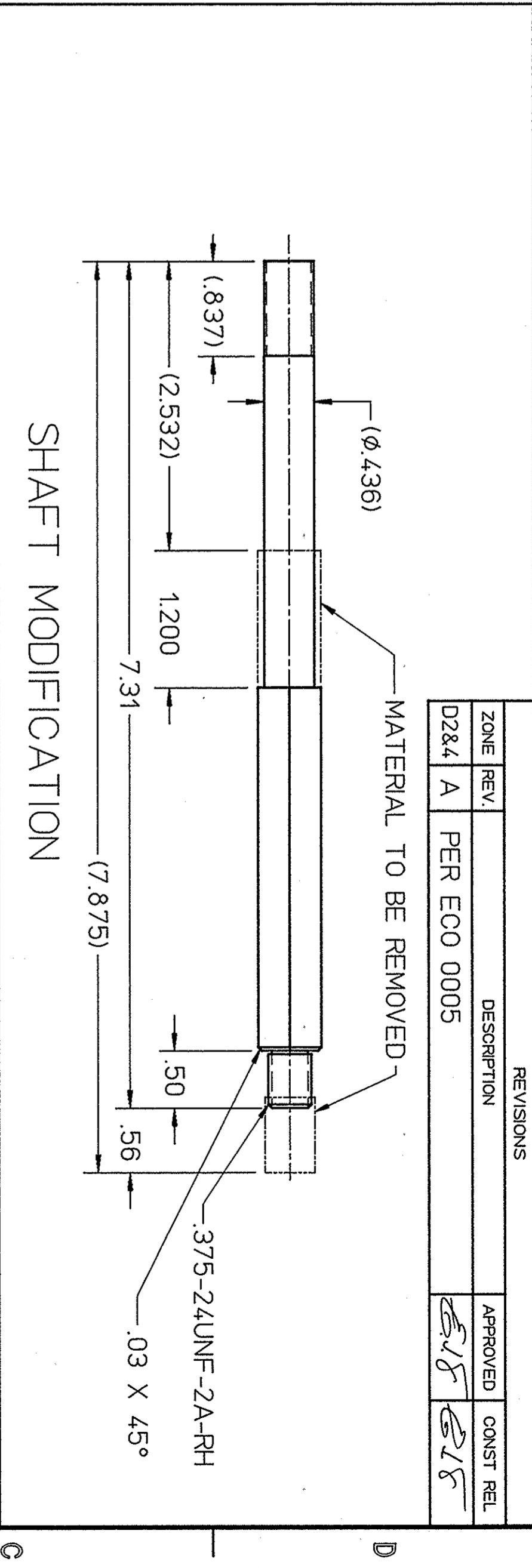
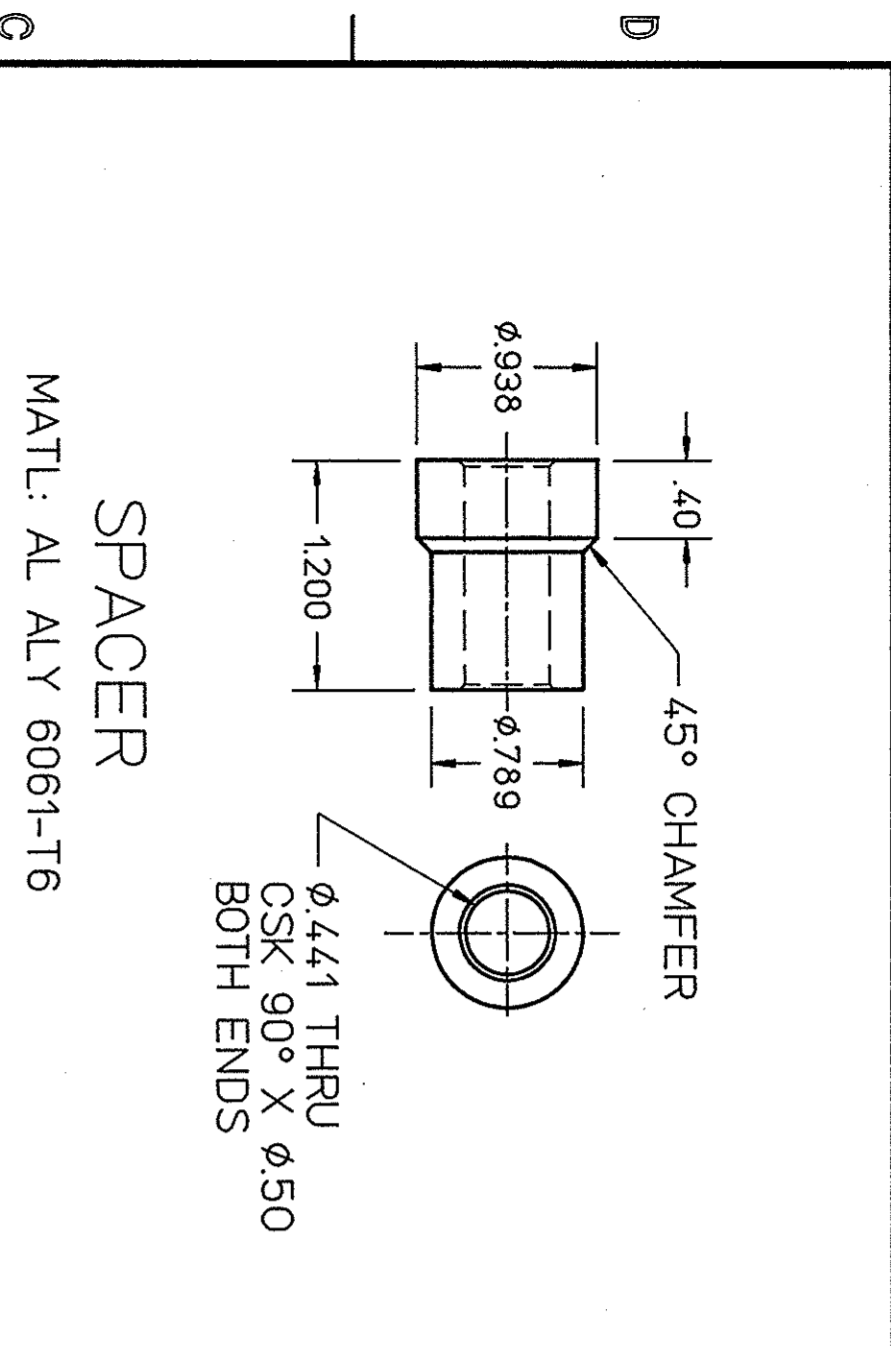


REVISIONS		APPROVED	CONST. REL.
ZONE	REV.	DESCRIPTION	
D284	A	PER ECO 0005	
		<i>[Signature]</i>	<i>[Signature]</i>



QTY	ITEM NO.	PART OR IDENTIFYING NO.	NOMENCLATURE OR DESCRIPTION	MATERIAL SPECIFICATION	NOTES
1		TAIYO P/N FA150GB0300-ABQ2	AIR CYLINDER 150 BORE X 3.00 STROKE		

DIM & TOL PER ANSI Y14.5 UNLESS OTHERWISE SPECIFIED DIMENSIONS ARE IN INCHES TOLERANCES ARE: DECIMAL ANGLES ° FRACTIONS .XX ± .02 .XXX ± .005		CADD I.D. NO. /wbs1579/wbs_5/58432/0119	
MATERIAL		APPROVALS	
FINISH		DATE	
DEBURR & BREAK ALL SHARP EDGES		DRAWN JIM GROLEAU 4-20-90	
UNLESS OTHERWISE NOTED		CHECKED <i>[Signature]</i> 7-3-90	
DO NOT SCALE DRAWING		APPROVED <i>[Signature]</i> 7-3-90	
		CONST. RELEASE <i>[Signature]</i> 7-3-90	

SIZE	DWG. NO.	REV.
SCALE	58432-C-0119	A
FULL	USED ON ASST. NO. 58432-E-0125	
	SHEET 1	OF 1

**SEBAP**  
 The Continuous Newport News Virginia  
 UNITED STATES DEPARTMENT OF ENERGY

**AIR CYLINDER MODIFICATION**