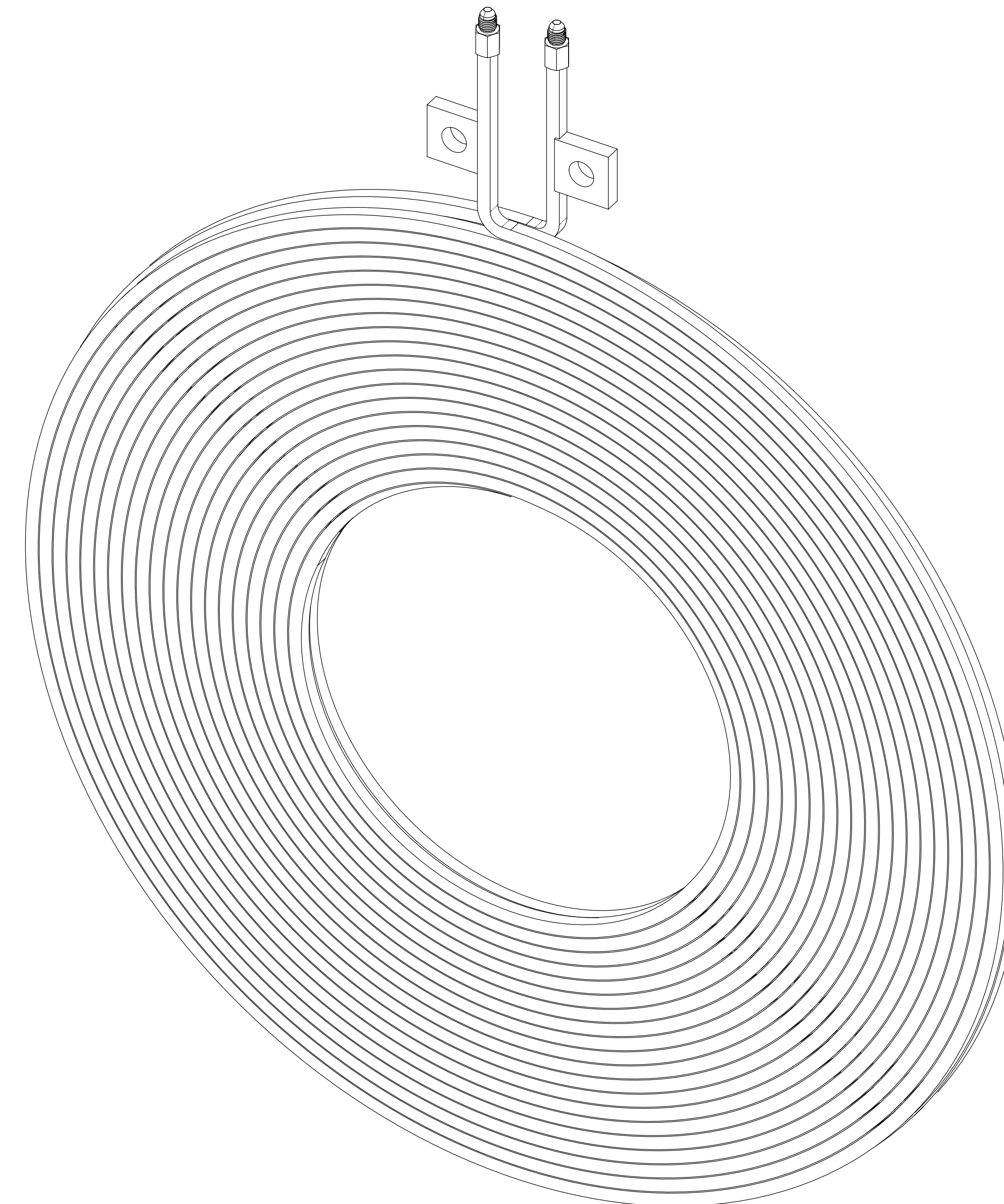
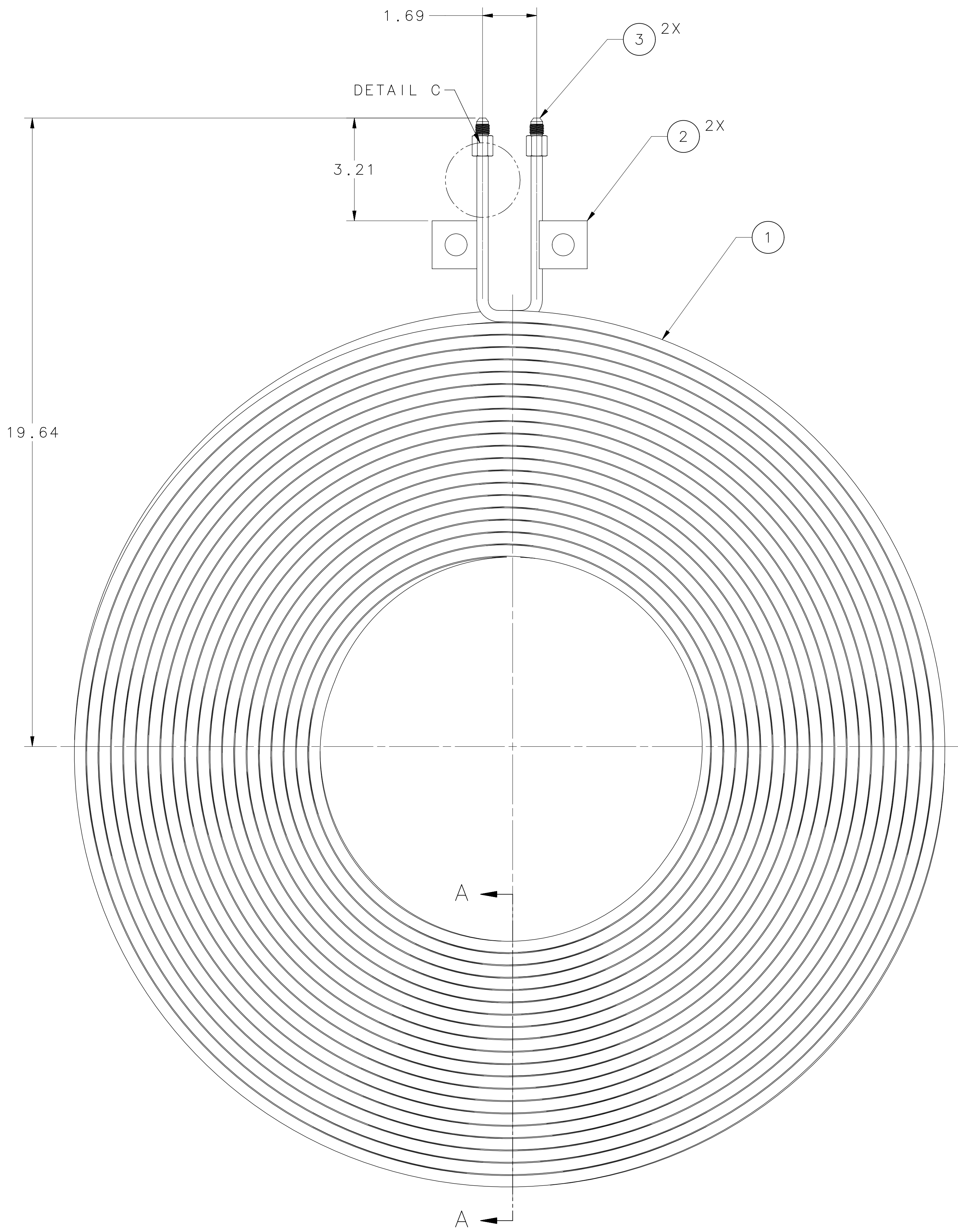


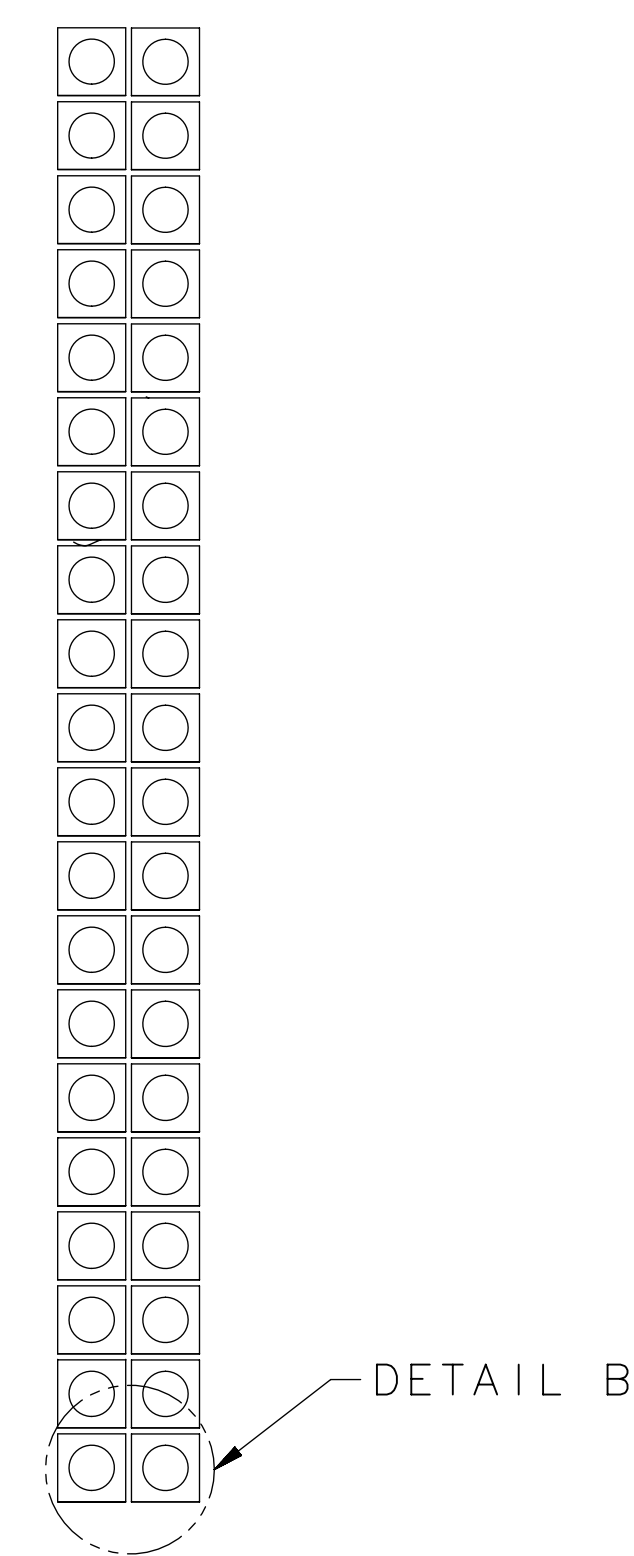
TOP VIEW



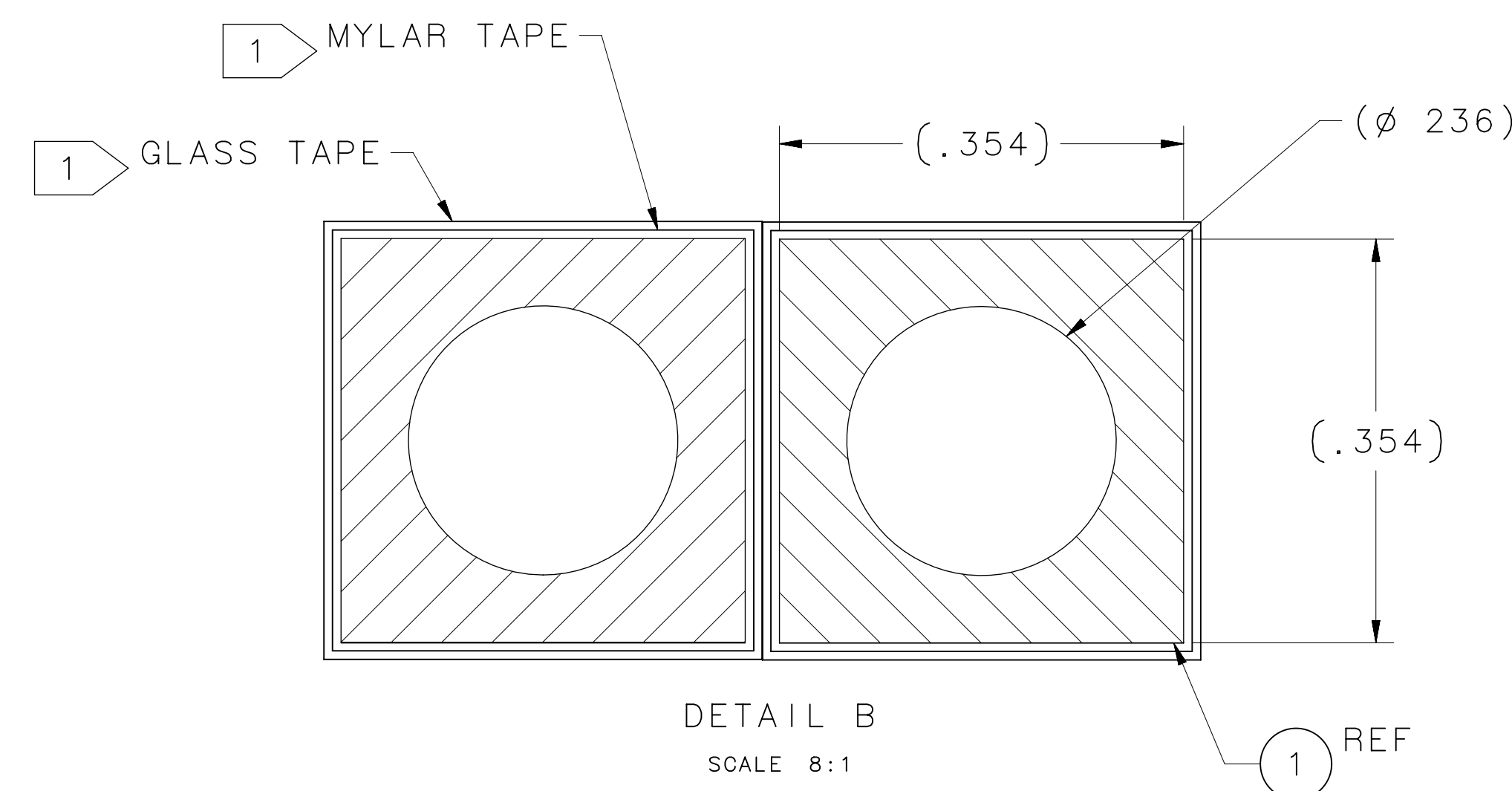
ISOMETRIC VIEW



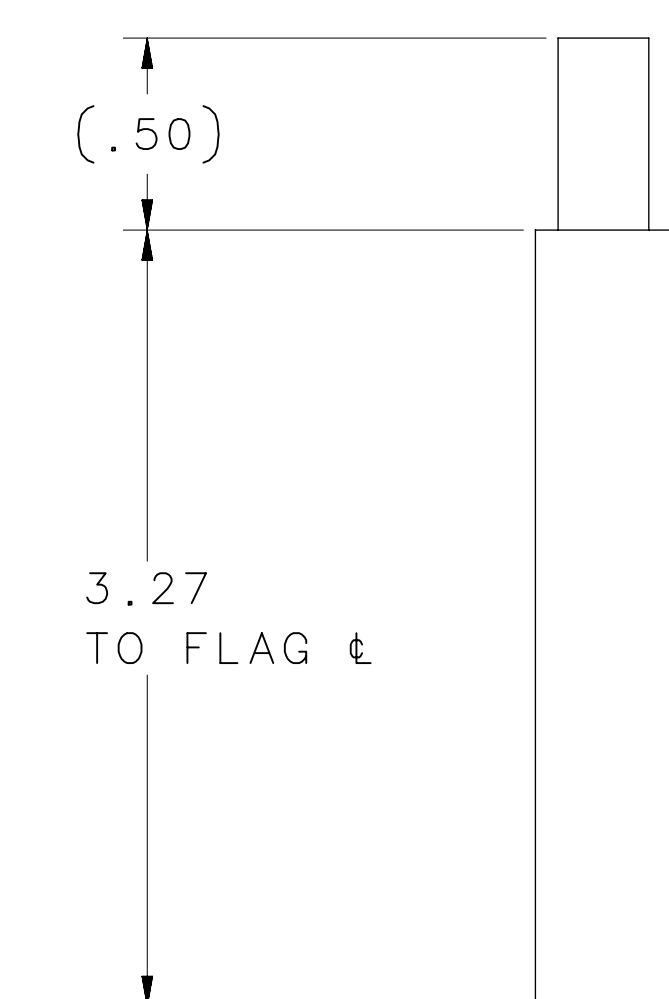
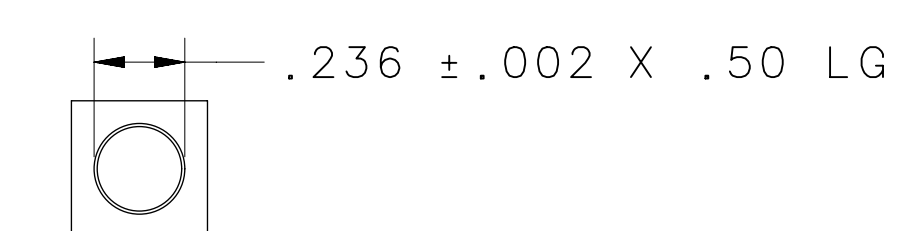
FRONT VIEW



SECTION A-A
SCALE 1:1



DETAIL B
SCALE 8:1



BRAZE FITTING PREP
SCALE 2:1
ITEM 3 REMOVED FOR CLARITY

NOTES:
1 COILS SHALL BE FABRICATED IN ACCORDANCE WITH SPECIFICATION MEG00002016-S001.

QTY	ITEM NO.	PART OR IDENTIFYING NO.	NOMENCLATURE OR DESCRIPTION	MATERIAL SPECIFICATION	NOTES
2	3	JL0034880	.37" W/O THRU HOLE, FEMALE PIPE TAP		
2	2	JL0034881	LDRD COIL FLAG		
1	1	LUVATA 6092	CONDUCTOR 62.5 mm		1

PARTS LIST					
EACH SHEET OF MULTI-SHEET DRAWINGS SHALL ALWAYS HAVE THE SAME REVISION LEVEL.					
DIV & TOL PER ASME Y14.5 UNLESS OTHERWISE SPECIFIED DIMENSIONS ARE IN INCHES. TOLERANCES ARE FRACTIONS DECIMAL ANGLES ± N/A X ± 1 X ± .01 X ± .005	MATERIAL	SEE PARTS LIST	United States Department of Energy	Jefferson Lab Thomas Jefferson National Accelerator Facility	Newport News Virginia
FINISH MACHINED SURFACES UNLESS OTHERWISE NOTED DEBUR & BREAK ALL SHARP EDGES	125	DO NOT SCALE DRAWING	SIZE DWG. NO. E	JL0034767	REV. -
DRAWN G.HAYS	DATE 10MAR16	SCALE 1:2	ISSUED BY NO. JL0034810	SHEET 1	OF 1