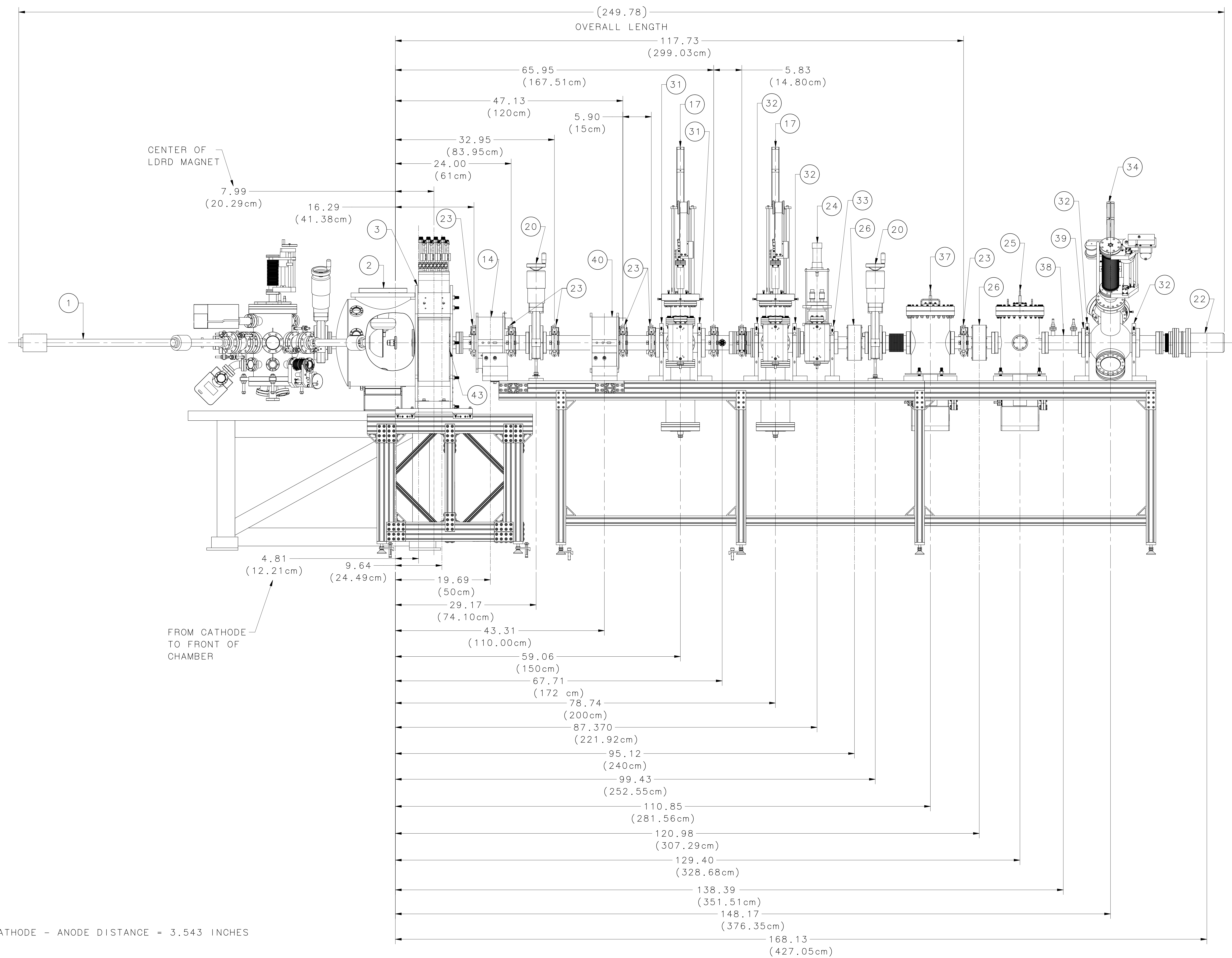
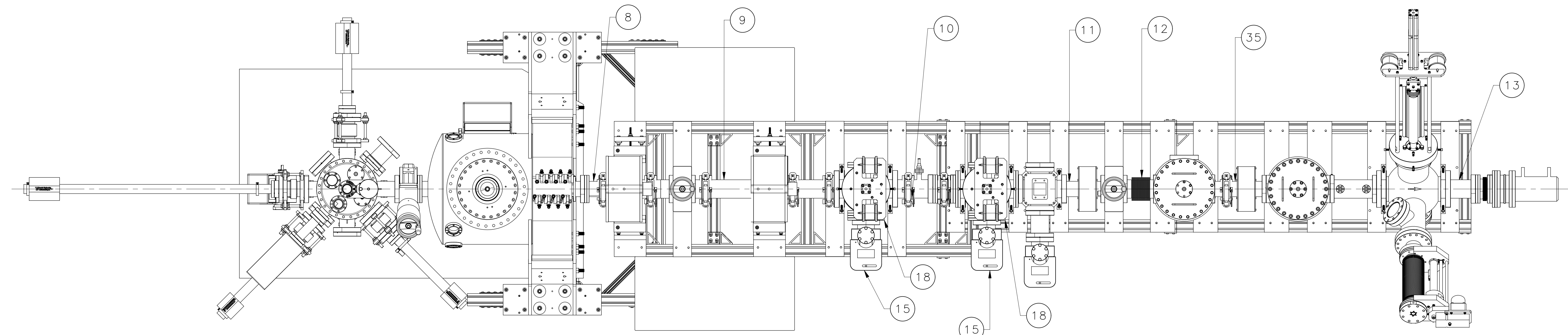


PRELIMINARY DRAWING
3/13/17



QTY	ITEM NO.	PART OR IDENTIFYING NO.	NOMENCLATURE OR DESCRIPTION	MATERIAL SPECIFICATION	NOTES
1	43	24100-0009 BH	BH HAIMSON CORRECTOR COIL 4.25 LG		
1	42	JL0044858	4.62 X 4.62 BELLOWS		
1	41	JL0044856	SPOOL 3.00 DIA 4.50 R X 4.50 NR		
1	40	JL0036459	SOLENOID 1 MOUNT ASSEMBLY		
1	39	MDC 150018	6.00 TO 4.50 ZERO REDUCER FLANGE		
1	38	22861-0005	PRECIPITATOR ASSEMBLY		
1	37	07720-0001	DIFFERENTIAL PUMP MODULE		
1	36	JL0040960	VA BEAMLINE SUPPORT SECTION-3		
1	35	JL0041147	SPOOL 2.50 DIA 4.62 R X 4.62 NR		
1	34	JL0040968	WIRE SCANNER		
1	33	JL0040539	NEW SUPPORT ASSEMBLY		
4	32	JL0040536	NEW DOUBLE CROSS SUPPORT ASSY		
2	31	FEL-0F-BT-02	CROSS SUPPORT ASSEMBLY		
16	30	MCMaster-CARR 90770A029	1/4" X .625 OD X .050-70*THK FLAT WASHER		
16	29	MCMaster-CARR 94895A029	1/4"-20 HEX NUT GRADE 8		
16	28	MCMaster-CARR 92185A548	1/4"-20 X 1.75" LG SHCS		
4	27	MCMaster-CARR 60585K38	LINEAR BEARING FOR T-SLOTTED FRAME 2"W X 4"L		
2	26	MAG0090039-0007 (MODIFIED)	(2.50" DIA BORE) FH BAKEABLE SOLENOID MAGNET		
1	25	JL0041892	INJECTOR MOD DIFF PUMP		
1	24	58432-D-0320	5 MEV FARADAY CUP ASSEMBLY		
8	23	RADIABEAM TECH STM-02-340-110-NUD	STEERING MAGNET		
1	22	JL0037890	DUMP ASSEMBLY		
2	21	FEL-0F-BT-09	CAPACITOR D2000 CUSTOM BODY		
2	20	VAT 48236-CE01	VAT 48236-CE01 VALVE		
1	19	JL0037357	FEL-0F-BT-17		
5	18	RF600X462	6" TO 4.625" ZERO LENGTH REDUCER		
2	17	FEL-DIA-BV-01	VIEWER ASSEMBLY, BEAMLINE		
2	16	JL0036497	CAPACITOR D2000 CF150		
5	15	JL0036496	GAMA VACUUM ION PUMP 45S-XX-4D-XX		
1	14	JL0036459 (MOD)	SOLENOID 1 MOUNT ASSEMBLY		
1	13	JL0039672	SPOOL 3.00 DIA 4.63 NR X 6.00 R		
1	12	JL0040302	4.50 X 4.62 FLANGE BELLOWS ASSY		
1	11	JL0039660	SPOOL 2.50 DIA 4.62 R X 4.50 NR		
1	10	JL0039388	SPOOL 3.00 DIA 6.00 R X 6.00 NR		
1	9	JL0037780	SPOOL 3.00 DIA 6.00 R X 4.50 NR		
1	8	JL0040278	TRANSITIONAL BELLOWS		
1	7	JL0037873	VA BEAMLINE SUPPORT SECTION-2		
1	6	JL0035103	VA BEAMLINE SUPPORT SECTION-1		
1	5	JL0035209	LDRD MAGNET CRADLE SUPPORT STAND		
1	4	JL0034657	HVC TABLE		
1	3	GROUPING-LDRD MAGNET AND STAND	GROUPING-LDRD MAGNET AND STAND		
1	2	JL0035702	LDRD HV CHAMBER		
1	1	JL0029142	GTS PREP CHAMBER ASSY		

EACH SHEET OF MULTI-SHEET DRAWINGS SHALL ALWAYS HAVE THE SAME REVISION LEVEL.

UNIT & TOL PER ASME Y14.5 2009. UNLESS OTHERWISE SPECIFIED DIMENSIONS ARE IN INCHES. TOLERANCES ARE:

FRACTIONS	DECIMAL	ANGLES
± 1/16	± .01	± .50°
	± .005	

THIRD ANGLE PROJECTION

FINISH: UNLESS OTHERWISE NOTED SURFACES TO BE BREAK & BREAK ALL SHARP EDGES.

DO NOT SCALE DRAWING

DATE: 19JUL16

SCALE: 1:8

USED ON ASSY NO. N/A

SHEET 1 OF 2

SEE PARTS LIST

United States Department of Energy
Jefferson Lab
Thomas Jefferson National Accelerator Facility

JLEIC
MAGNETIZED BUNCHED ELECTRON COOLER
MAGNETIZED GUN LDRD
MAGNETIZED BEAM LDRD ASSY

DWG. NO. JL0038343

