

Generation and Characterization of Magnetized Bunched Electron Beam from DC Photogun for JLEIC Cooler

Laboratory Directed Research and
Development (LDRD) Proposal

Riad Suleiman and Matt Poelker

June 29, 2016

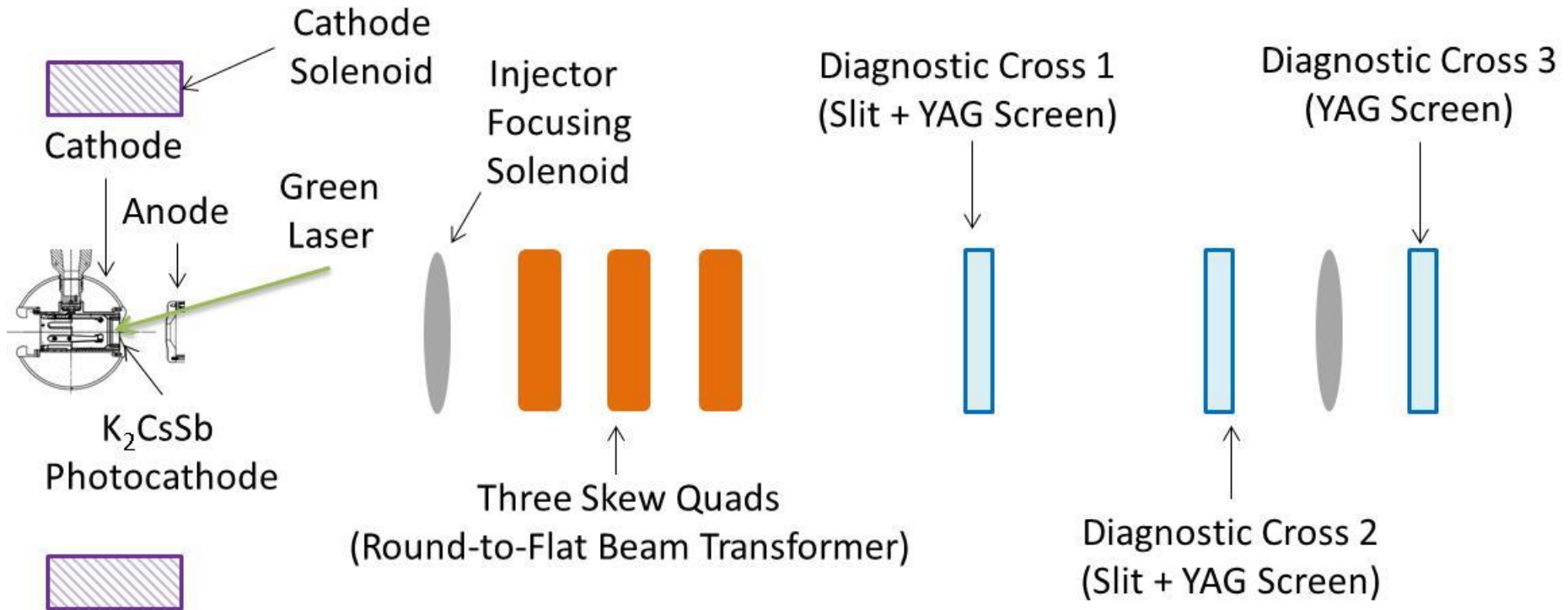
JLEIC Magnetized Beam LDRD

- Generate magnetized electron beam and measure its properties
- Explore impact of cathode solenoid on photogun operation
- Simulations and measurements will provide insights on ways to optimize JLEIC electron cooler and help design appropriate source
- JLab will have direct experience magnetizing high current electron beam

Magnetized Bunched Electron Beam Requirements

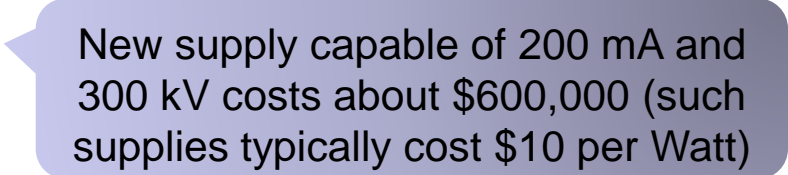
Bunch length	60 ps (2 cm)
Repetition rate	476.3 MHz
Bunch charge	420 pC
Peak current	7.0 A
Average current	200 mA
Transverse normalized emittance	10s microns
Cathode spot radius – Flat-top (a_0)	1.56 mm
Solenoid field at cathode (B_z)	2 kG

Experimental Overview



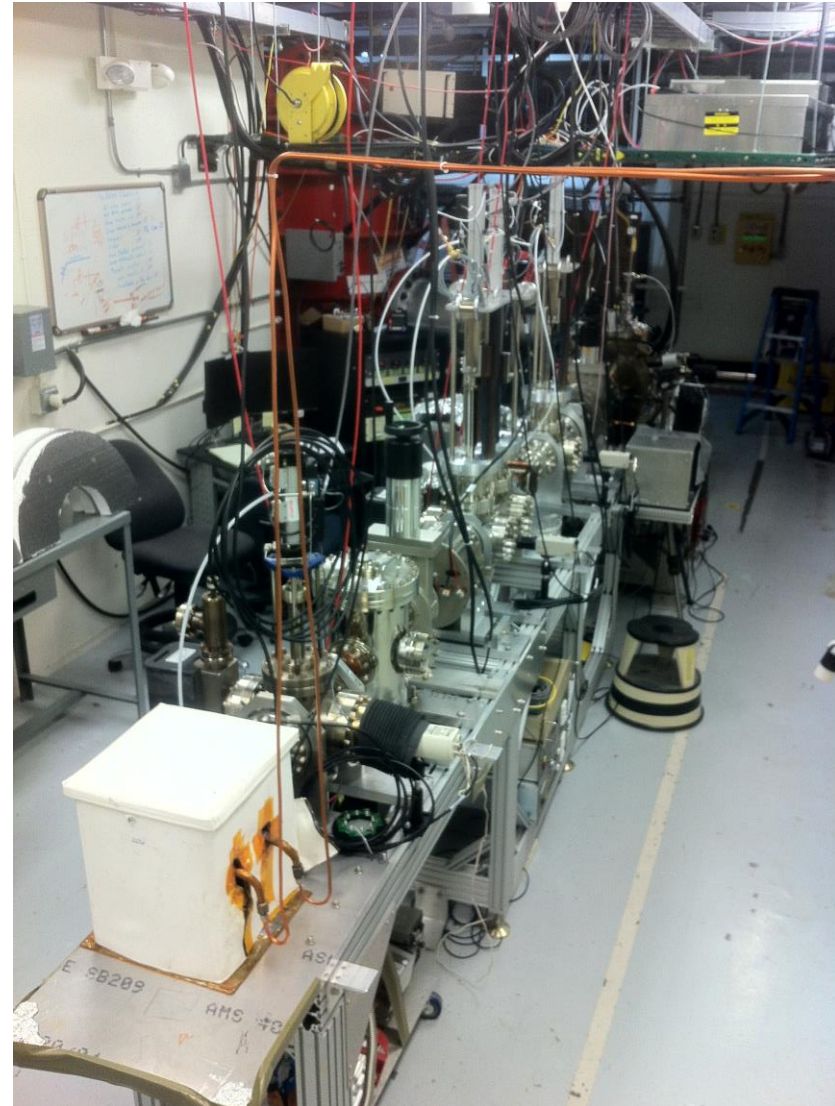
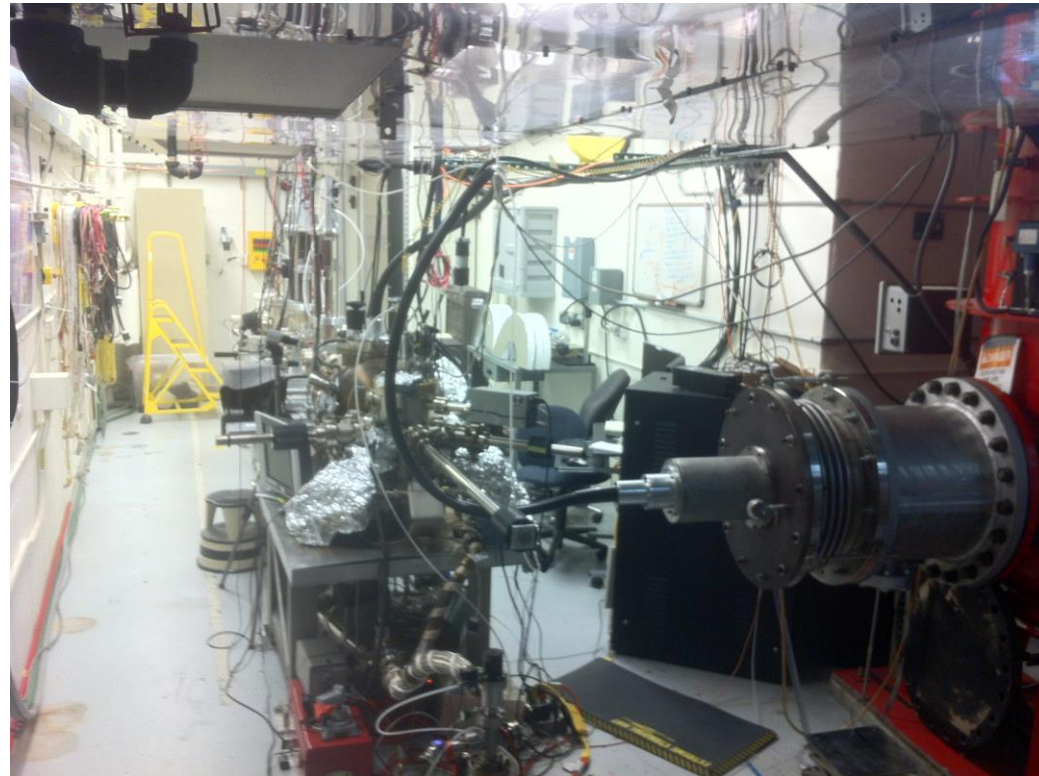
- **Generate magnetized beam:**
- $a_0 = 1 - 5$ mm, $B_z = 0 - 2$ kG
 - Bunch charge: 1 – 500 pC
 - Frequency: 15 Hz – 476.3 MHz
 - Bunch length: 10 – 100 ps
 - Average beam currents up to 32 mA
 - Gun high voltage: 200 – 350 kV

Planned Measurements

1. Measure mechanical angular momentum
2. Measure photocathode lifetime versus solenoid field at high currents (up to 32 mA) and high voltages (200 – 350 kV) limited by in-house HV supplies  New supply capable of 200 mA and 300 kV costs about \$600,000 (such supplies typically cost \$10 per Watt)
3. Study beam halo and beam loss versus magnetization
4. Use skew quads – RTFB Transformer – to generate flat beam and measure horizontal and vertical emittances using slit method
5. Generate very high currents magnetized beam and study beam transport and RTFB versus electron bunch charge

LERF Gun Test Stand

June 22,
2016

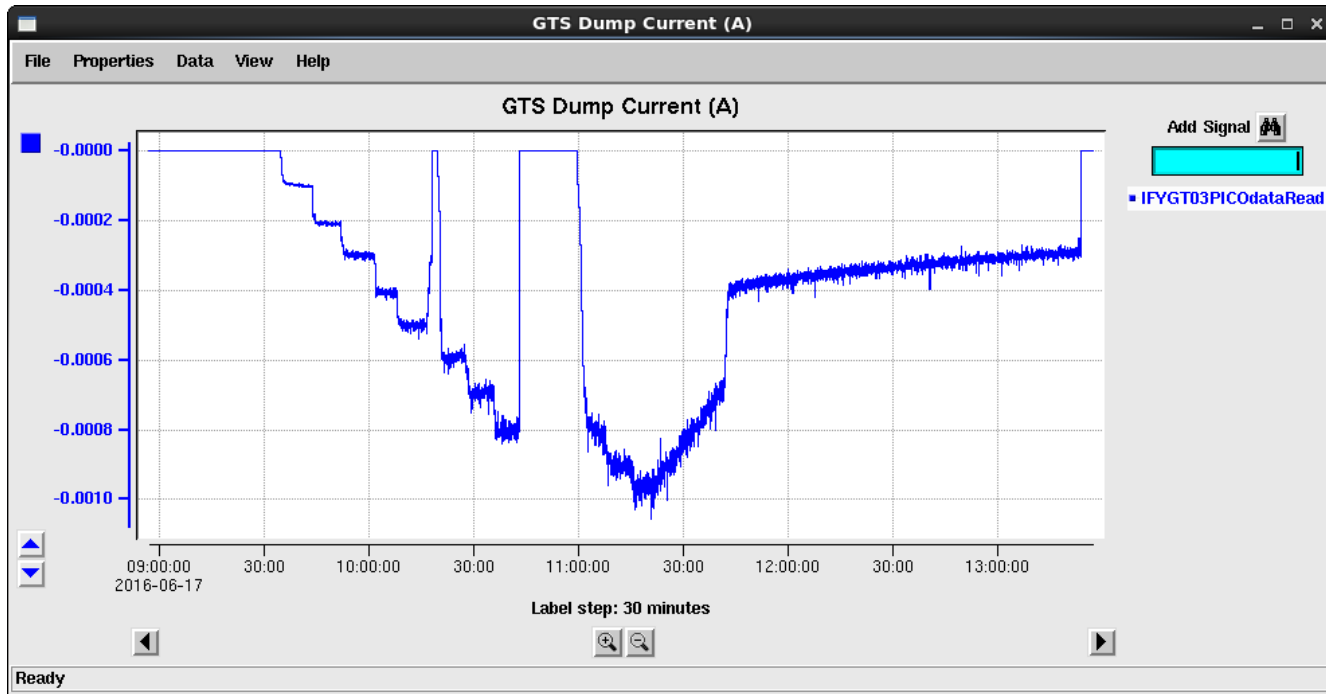
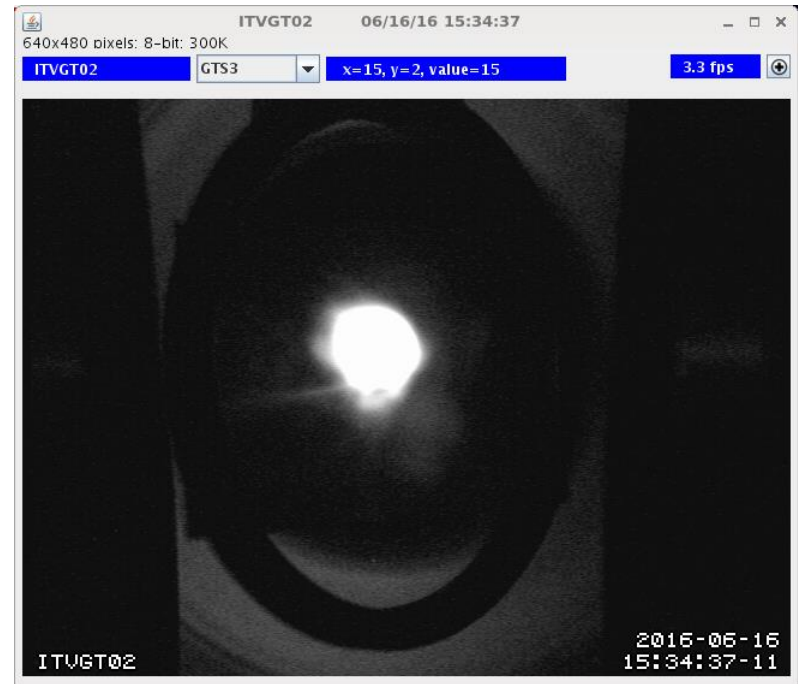


October 19,
2015



GTS Beam: 1 mA

275 kV
(not magnetized)



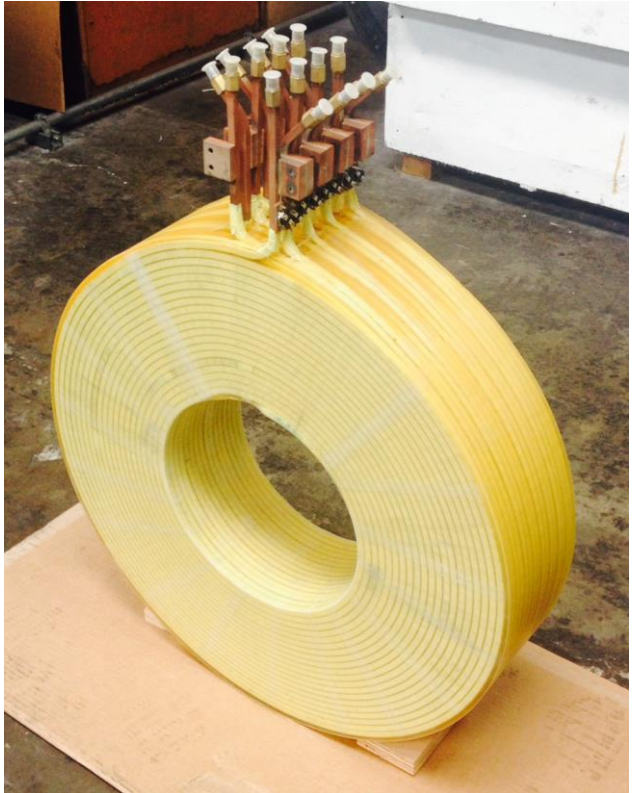
Prior Year Accomplishments

- K_2CsSb Photocathode Preparation Chamber, Gun and Beamline: delivered 1 mA to dump
- Lasers: ready (LOSP approved)
- Gun Test Stand (GTS) OSP: approved for only 10 nA – working with Radiation Group for approval at full current
- Simulation (Fay Hannon):
 - Used ASTRA and GPT simulation to design beamline and to locate magnets and diagnostics at optimum positions
 - Simulated magnetized electron beam properties along beamline for various starting conditions
 - Simulated a round to flat transformer

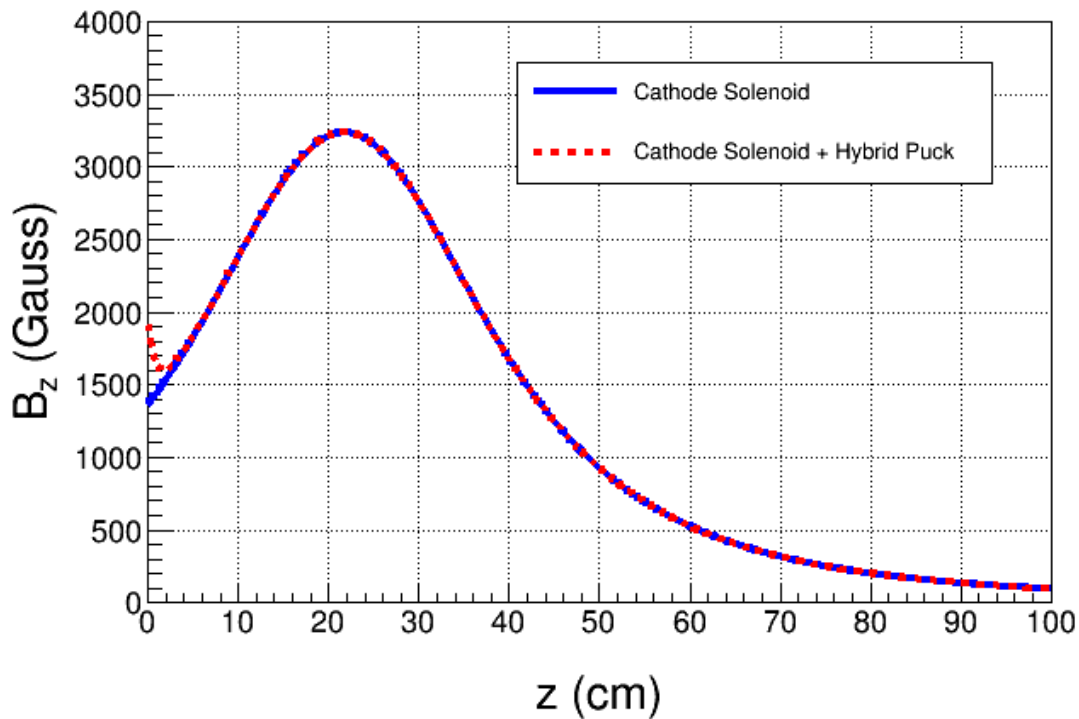


- Cathode Solenoid Magnet

Size	11.811" ID, 27.559" OD, 6.242" Z
Conductor	L=500 m, A=0.53 cm ² 16 layers by 20 turns
Coil Weight	240 kg
Resistance	0.18 Ω (65°C average T)
Field at Photocathode	1.4 kG
Voltage	72 V
Current	400 A

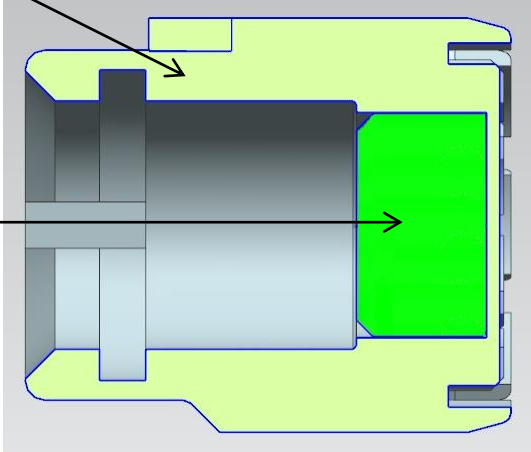


- Designed, procured and built. Arrived on-site on June 28, 2016
- Cathode Solenoid Power Supply: Use new spare CEBAF Dogleg magnet power supply (500A, 80V)

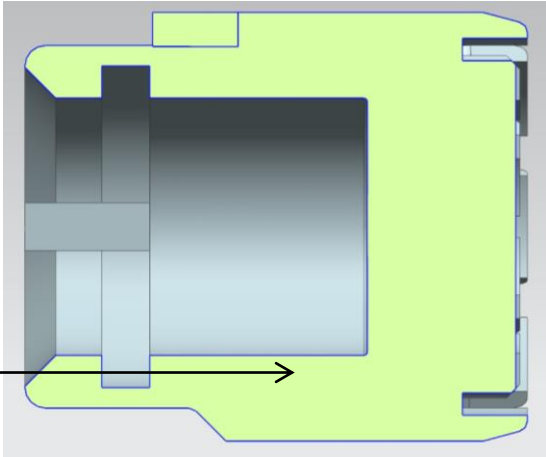


Molybdenum

Steel



Steel



- New Steel Pocks

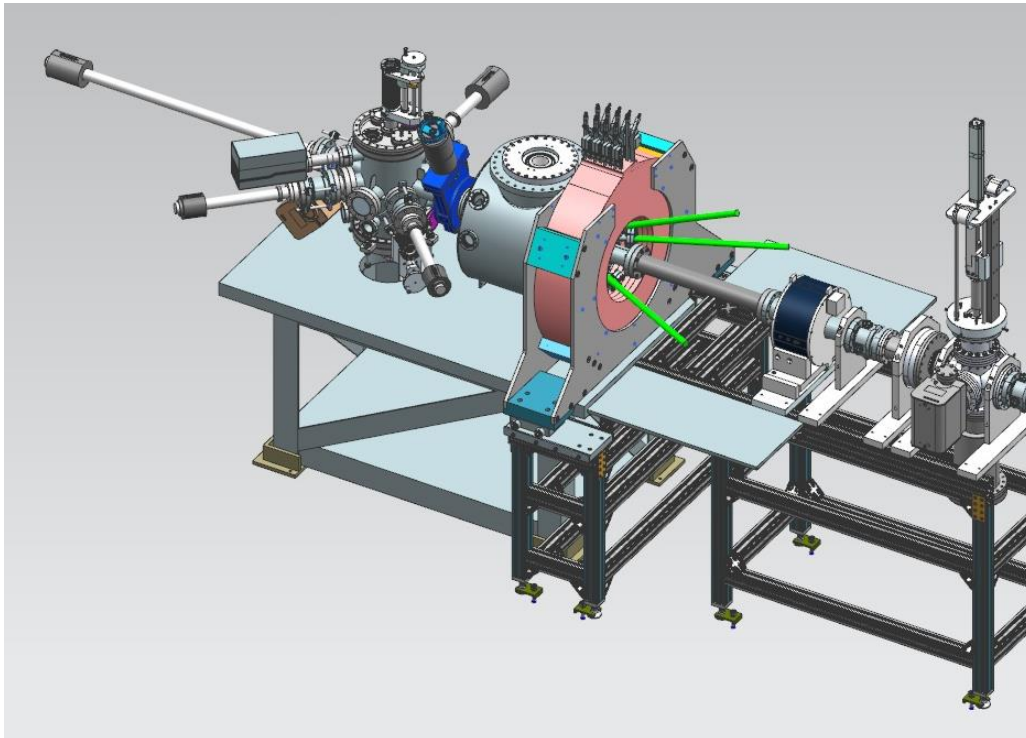
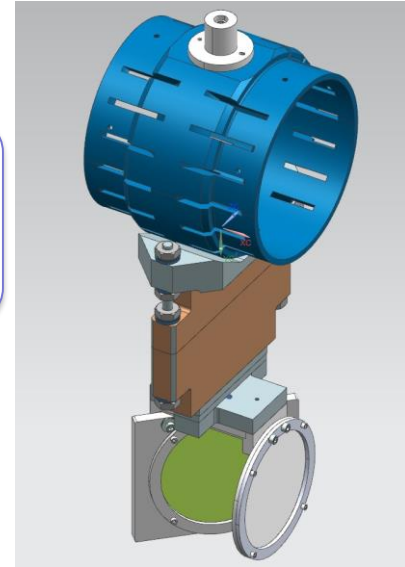
- Designed to enhance field to 2.0 kG at cathode. Two types:
 - I. Molybdenum and carbon steel hybrid pock
 - II. Carbon steel pock

Plans for July – September 2016

1. Measure photocathode lifetime at 5 mA
2. Map cathode magnet (without and with new pucks) **June 28 – July 18**
3. Install cathode magnet **August**
4. Install slits **August**
5. Load new pucks into Preparation Chamber **September**

July

Expected completion dates



Will have to break gun vacuum. Plan to change HV ceramic insulator and HV shed, replace leaky gate valve and add NEG pumps. Improve Preparation Chamber

Budget

As of today,
spent 67%

FY16	\$339,211
FY17	\$265,850
FY18	\$212,025
Total	\$817,086

Materials and Supplies:

1. Cathode solenoid magnet and pucks
2. Three skew quadrupoles
3. Beamline hardware: steering magnets and slits for beam emittance and magnetization measurements
4. Laser components

Labor:

1. Cathode magnet design and procurement
2. Cathode magnet mapping and installation
3. Relocate new CEBAF spare dogleg power supply (500A/80V) and provide 480VAC and LCW
4. Mechanical designer for cathode magnet support
5. Mechanical designer for pucks, slits and beamline
6. ASTRA and GPT modeling (Fay Hannon)
7. Postdoc – years 2 and 3

MILESTONES

Year 1 Milestones

- Q1 (Oct, Nov, Dec):
 1. HV condition gun to 350 kV and build K_2CsSb preparation chamber
 2. Design beamline, locate magnets and diagnostics at optimum positions
 3. Design cathode solenoid magnet
- Q2 (Jan, Feb, Mar):
 1. Connect existing beamline to gun and instrument beamline
 2. Procure cathode solenoid magnet
 3. Design and procure slits
- Q3 (Apr, May, Jun):
 1. Commission exiting beamline with beam
 2. Measure photocathode lifetime at 5 mA and 350 kV (not magnetized)
 3. Relocate new spare CEBAF dogleg power supply to GTS
- Q4 (Jul, Aug, Sep):
 1. Install cathode solenoid magnet
 2. Assemble new beamline and commission with beam
 3. Design and procure three skew quads Postponed to year 2

Year 2 Milestones

- Q1 (Oct, Nov, Dec):
 1. Generate magnetized beam
 2. Measure mechanical angular momentum vs magnetization and laser size
 3. Benchmark simulation against measurements
- Q2 (Jan, Feb, Mar):
 1. Measure mechanical angular momentum vs bunch charge and bunch length
 2. Benchmark simulation against measurements
- Q3 (Apr, May, Jun):
 1. Generate very high currents magnetized beam and study beam transport vs electron bunch charge
- Q4 (Jul, Aug, Sep):
 1. Measure photocathode lifetime vs magnetization at 5 mA and 350 kV
 2. Study beam halo and beam loss vs magnetization

Year 3 Milestones

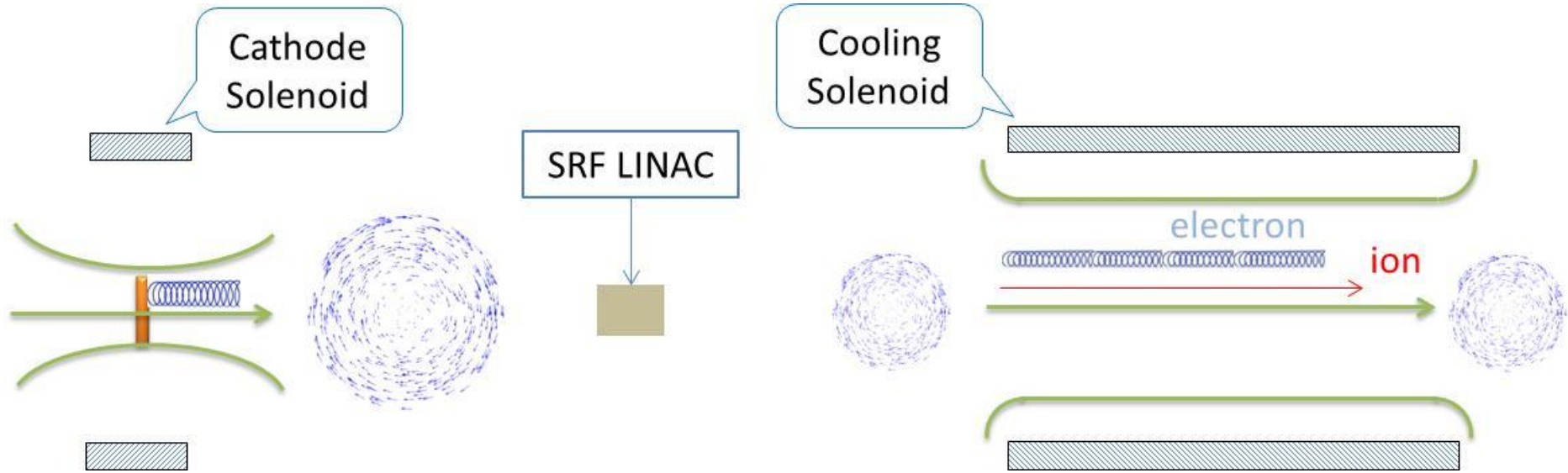
- Q1 (Oct, Nov, Dec):
 1. Install three skew quads
 2. Generate flat beam with skew quads – RTFB Transformer – and measure horizontal and vertical emittances using slit method
- Q2 (Jan, Feb, Mar):
 1. Measure RTFB transformation versus electron bunch charge
 2. Use simulation to quantify how good or complete RTFB transform
- Q3 (Apr, May, Jun):
 1. Change to HV Supply of 32 mA and 200 kV
- Q4 (Jul, Aug, Sep):
 1. Measure photocathode lifetime vs magnetization at 32 mA and 200 kV
 2. Study beam halo and beam loss vs magnetization

BACKUP SLIDES

Magnetized Cooling

- JLEIC bunched magnetized electron cooler is part of Collider Ring and aims to counteract emittance degradation induced by intra-beam scattering, to maintain ion beam emittance during collisions and extend luminosity lifetime.
- Electrons helical motion in strong magnetic field increases electron-ion interaction time, thereby significantly improving cooling efficiency. Electron-ion collisions that occur over many cyclotron oscillations and at distances larger than cyclotron radius are insensitive to electrons transverse velocity.
- Cooling rates are determined by electron longitudinal energy spread rather than electron beam transverse emittance as transverse motion of electrons is quenched by magnetic field
- This cyclotron motion also provides suppression of electron-ion recombination

Electron beam is being used inside cooling solenoid where it suffers an azimuthal kick when it enters. This kick is cancelled by an earlier kick at exit of cathode solenoid



Electrons born in strong uniform B_z

$$\langle L \rangle = \frac{eB_z a_0^2}{4}$$

$$a_0 = R_{\text{laser}} = 1.56 \text{ mm}$$

$$B_z = 2 \text{ kG}$$

Upon exit of Cathode Solenoid

$$\langle L \rangle = \gamma m_e \langle r^2 \rangle \dot{\phi}$$

$$\varepsilon_d = \frac{eB_z a_0^2}{8m_e c} = 36 \text{ } \mu\text{m}$$

Upon entering Cooling Solenoid

$$\langle L \rangle = \frac{eB_{\text{cool}} r_e^2}{4}$$

$$\frac{B_{\text{cool}}}{B_z} = \frac{a_0^2}{r_e^2}$$

$$r_e = 0.7 \text{ mm}$$

$$B_{\text{cool}} = 1 \text{ T}$$