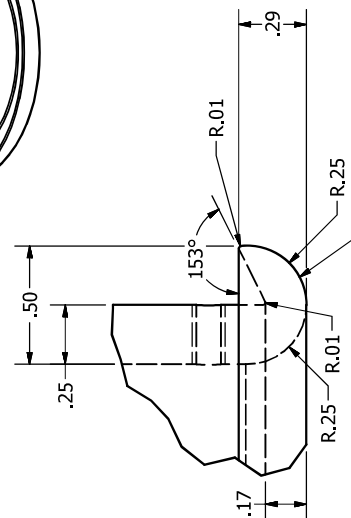
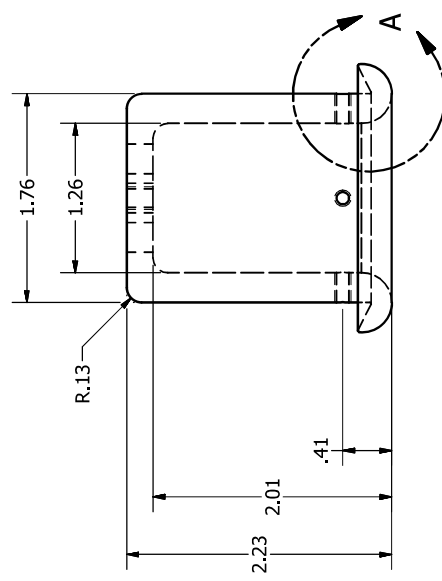
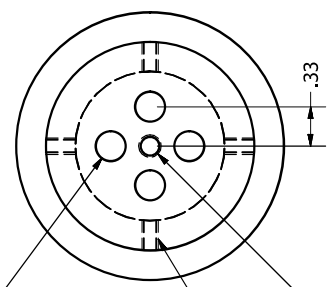
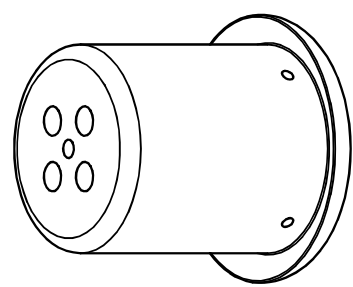


1 2 3 4

Ø.25 THRU 4 Places

6-32 UNC - Thru. 4 places

10-32 UNF - .33



DETAIL A  
SCALE 2 : 1

This end radius should have no visible tool marks. Polish to near mirror in lathe.

DRAWN	2/1/2013	Material = 304L Stainless Steel
hansknecc		Finish = machine finish except where noted on detail A
CHECKED		TITLE
QA		Dummy electrode mounting cup
MFG		
APPROVED		
		SIZE
		B
		DWG NO
		dummy electrode mounting cup
		REV
		SCALE
		SHEET 1 OF 1

1 2 3 4