

HFS6-60120-300 (Misumi)
Uses blind self-tapping screws
prior to assembly (Misumi HTJ6)

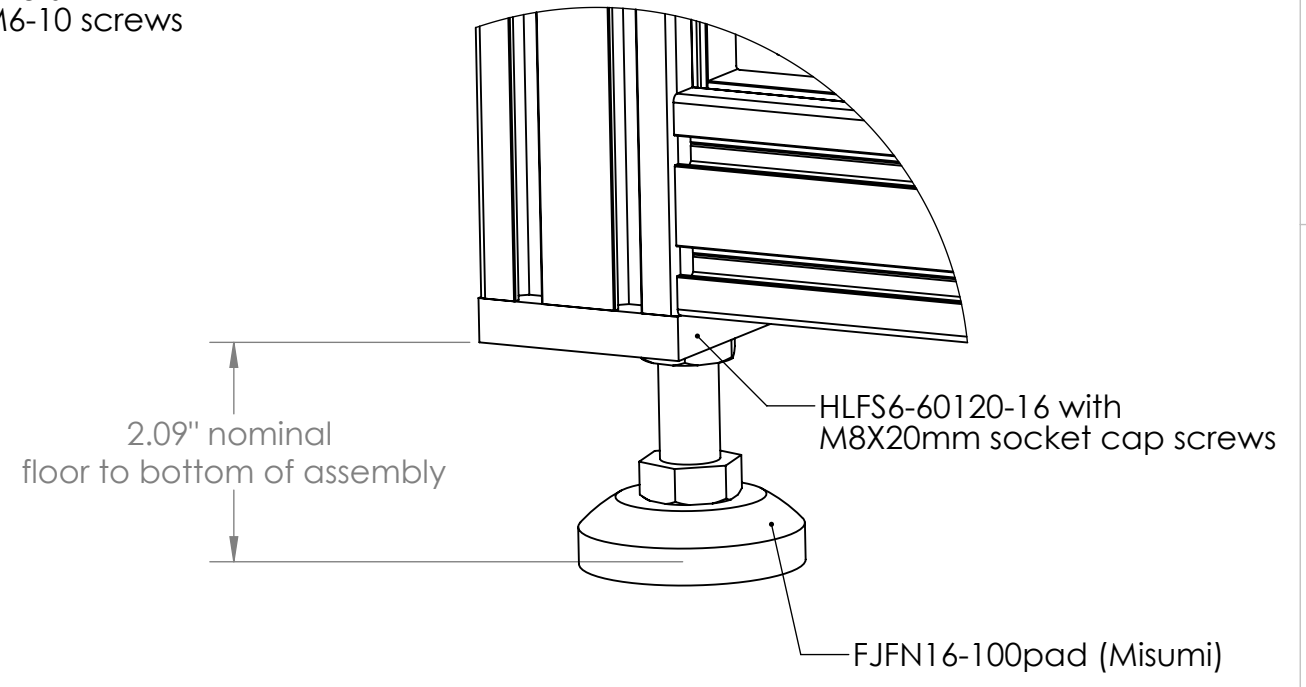
SHPTUL6 (Misumi)
Stainless Brace.
Uses HNTAP6-6 drop-in
post assembly nuts with
button head M6-10 screws

HBLUD6 (Misumi)
Qty 4
Use PRE-ASSEMBLY
size 6 anti-slip nuts
HNTE6-6 and M6-20
socket cap screws

Nuts must be inserted
before assembly on
all beams

HFS6-60120-680-LWH-RWH (Misumi)
it has holes at each end that permit
tightening of the blind self tapping screws
on the two cross member beams

HFS6-60120-300 (Misumi)
Uses blind self-tapping screws
prior to assembly (Misumi HTJ6)



2.09" nominal
floor to bottom of assembly

HLFS6-60120-16 with
M8X20mm socket cap screws
FJFN16-100pad (Misumi)

DETAIL A
SCALE 1 : 2

PROPRIETARY AND CONFIDENTIAL
THE INFORMATION CONTAINED IN THIS
DRAWING IS THE SOLE PROPERTY OF
<INSERT COMPANY NAME HERE>. ANY
REPRODUCTION IN PART OR AS A WHOLE
WITHOUT THE WRITTEN PERMISSION OF
<INSERT COMPANY NAME HERE> IS
PROHIBITED.

		UNLESS OTHERWISE SPECIFIED:		NAME	DATE
		DIMENSIONS ARE IN INCHES		DRAWN	jch 8/2014
		TOLERANCES:		CHECKED	
		FRACTIONAL ±		ENG APPR.	
		ANGULAR: MACH ± BEND ±		MFG APPR.	
		TWO PLACE DECIMAL ±		Q.A.	
		THREE PLACE DECIMAL ±		COMMENTS:	
		INTERPRET GEOMETRIC TOLERANCING PER:			
		MATERIAL			
		FINISH			
NEXT ASSY	USED ON			TITLE: Basic assembly of stand for beamline girder	
APPLICATION		DO NOT SCALE DRAWING		SIZE B	DWG. NO. stand assembly
				SCALE: 1:8	WEIGHT:
				REV SHEET 1 OF 1	