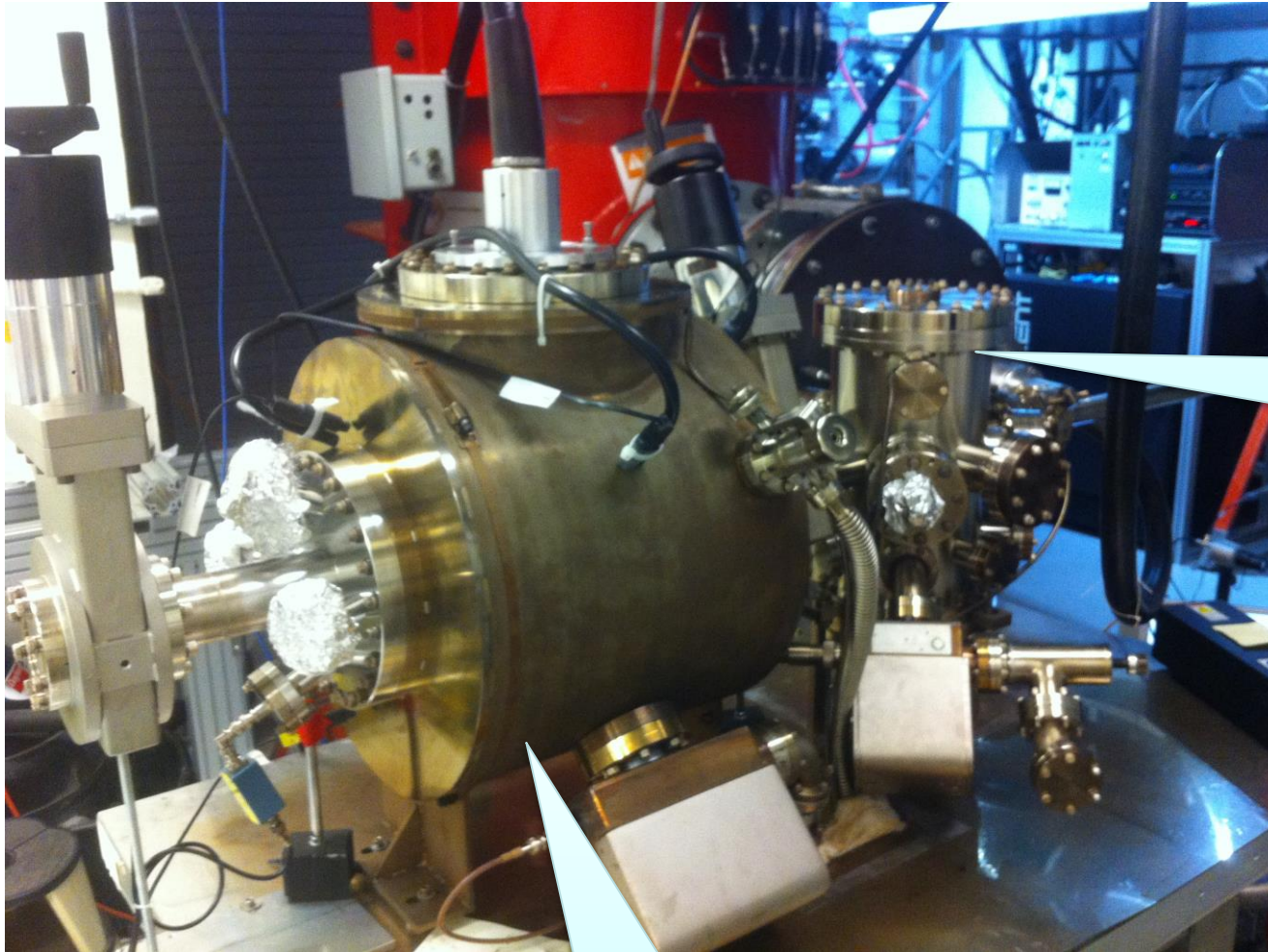


# **Gun Magnet Design**

December 27, 2015

# Magnetized Gun

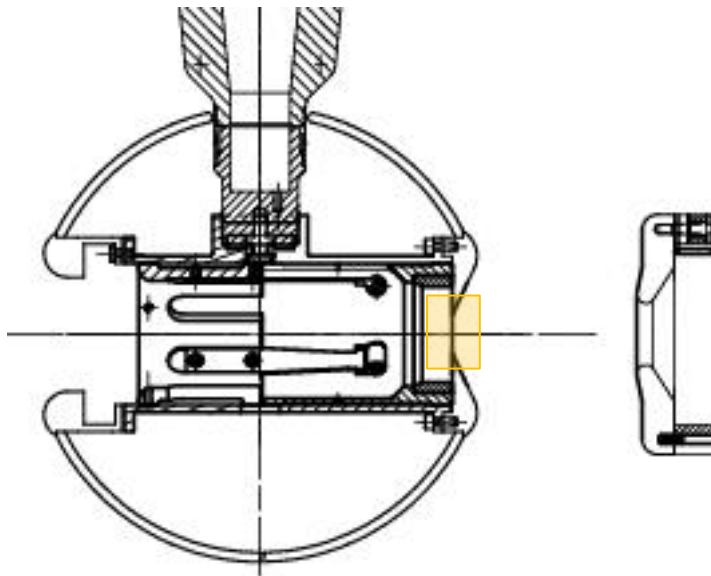


$K_2CsSb$   
Preparation  
Chamber

HV Chamber

# Magnetic Field at Cathode

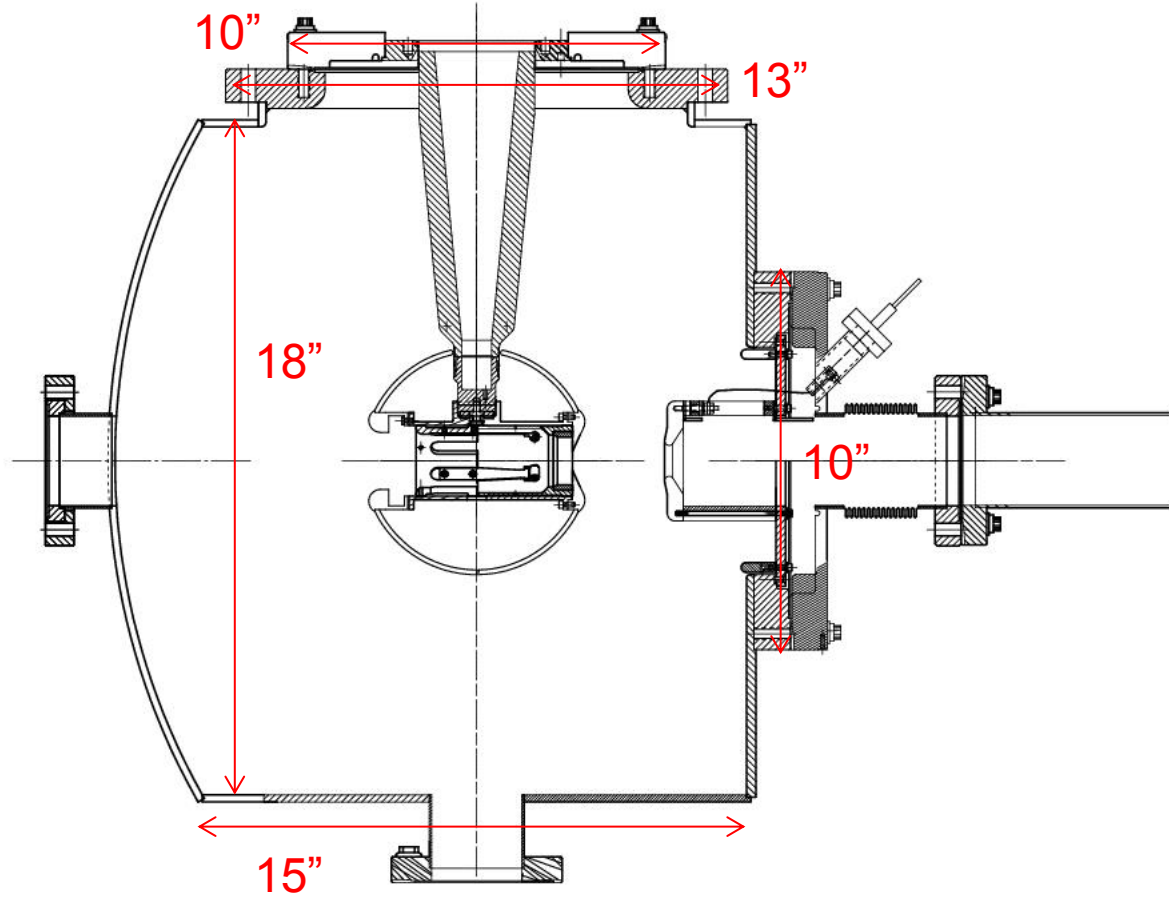
Beam radius	0.3 cm
Field at cathode ( $B_z$ )	2 kG



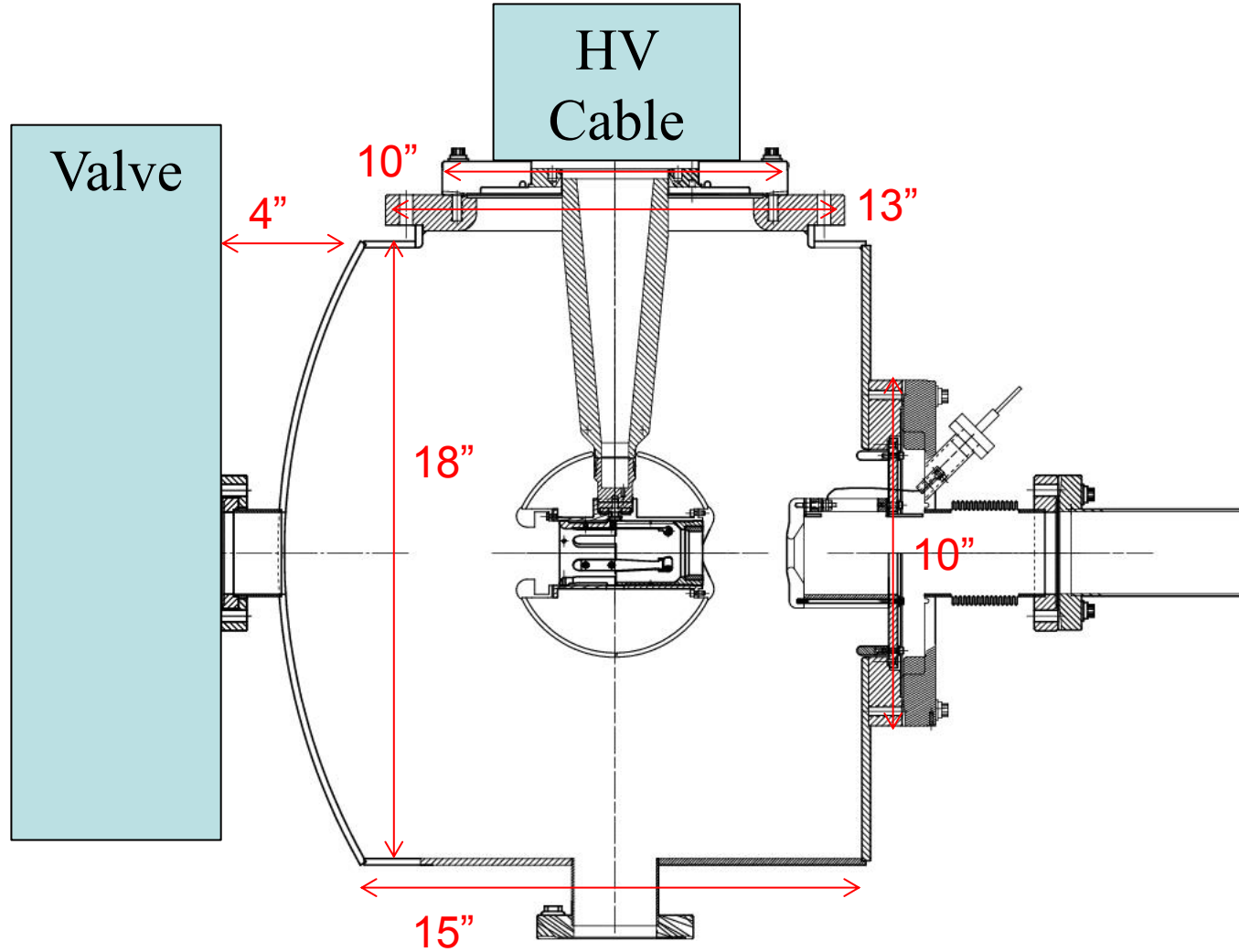
## Magnetic Field:

- $B_z = 2 \text{ kG}$
- Radius = 0.5 cm
- Length = 1 cm (?)
- Uniformity = 1% (?)

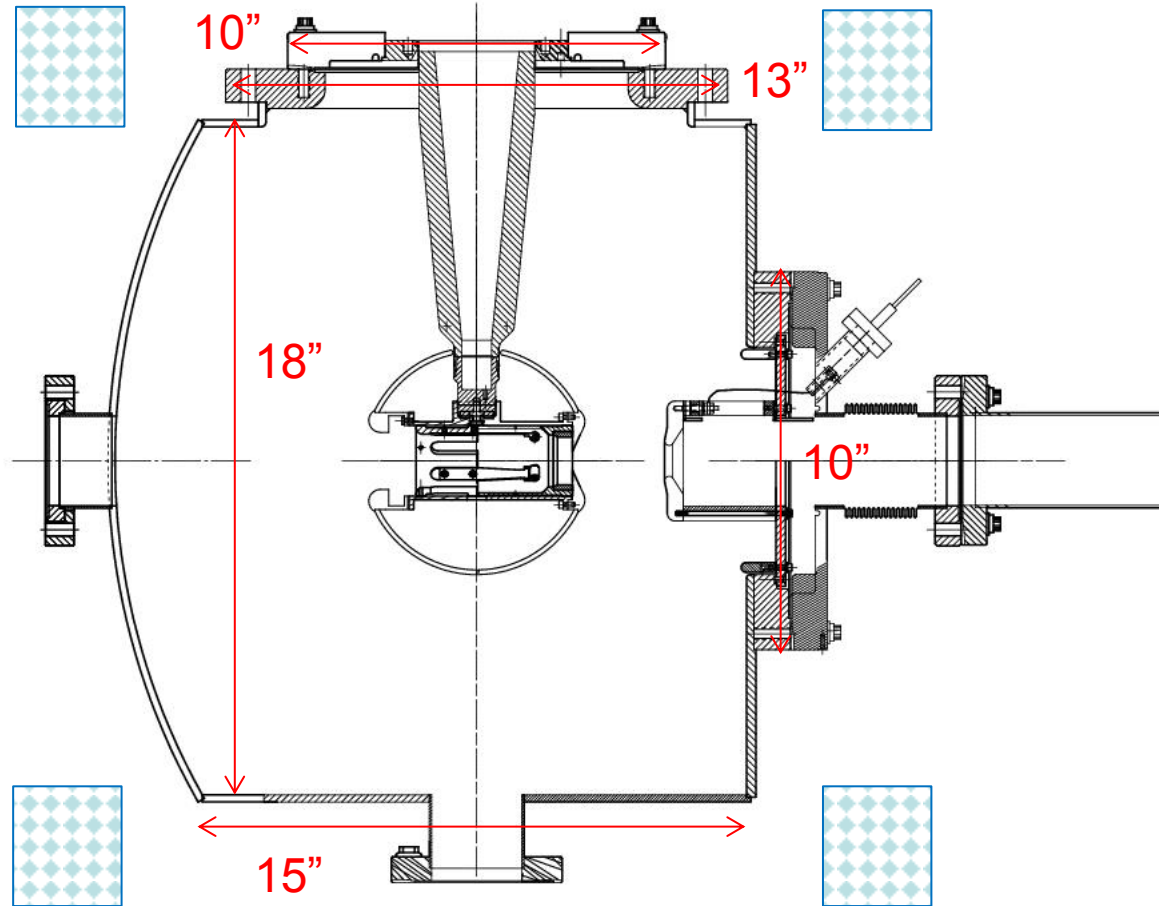
# HV Chamber



# HV Chamber Clearance



# Helmholtz Magnet Location



# Solenoid Magnet Location

