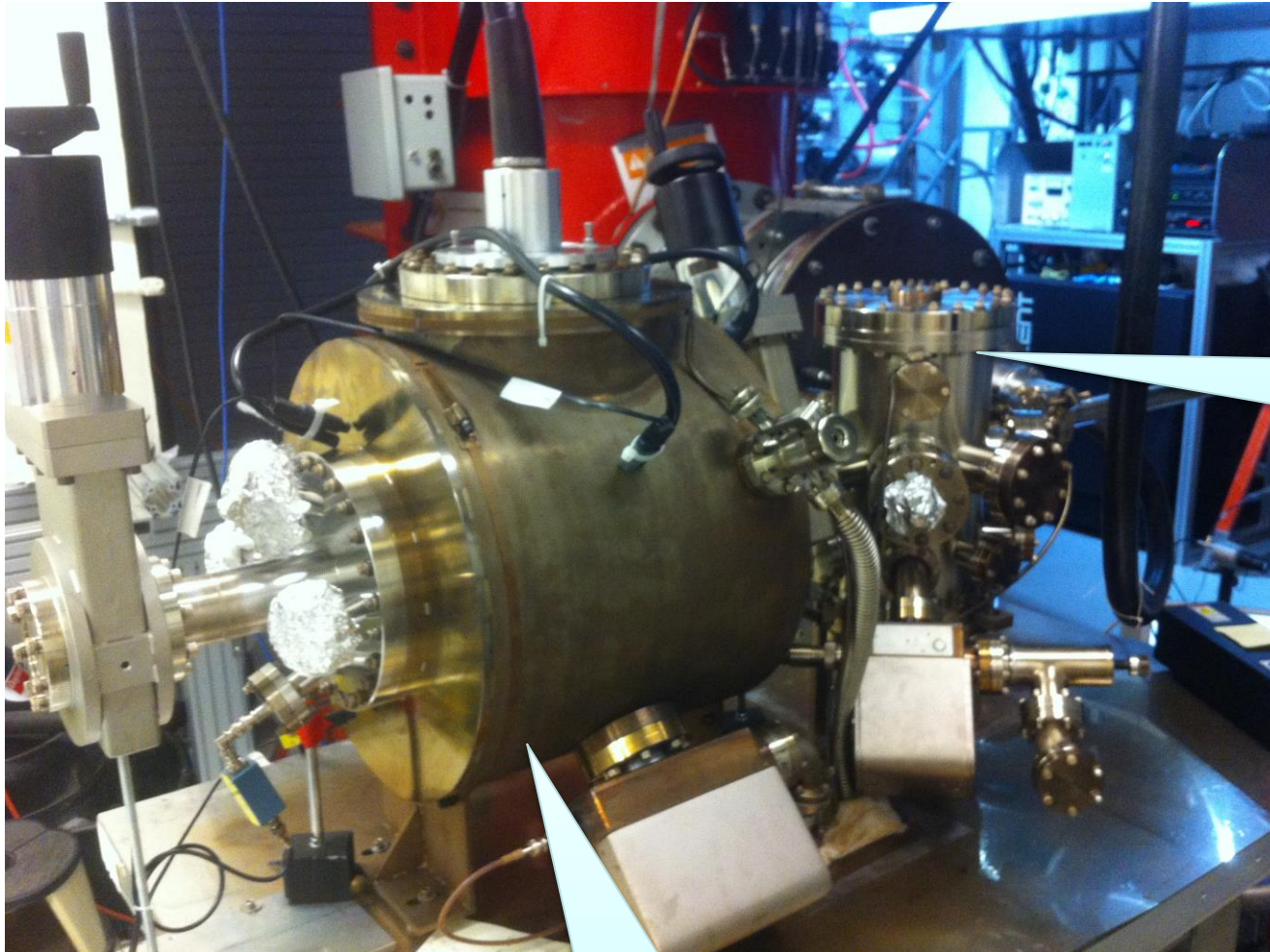


One Coil Gun Magnet

February 2, 2016

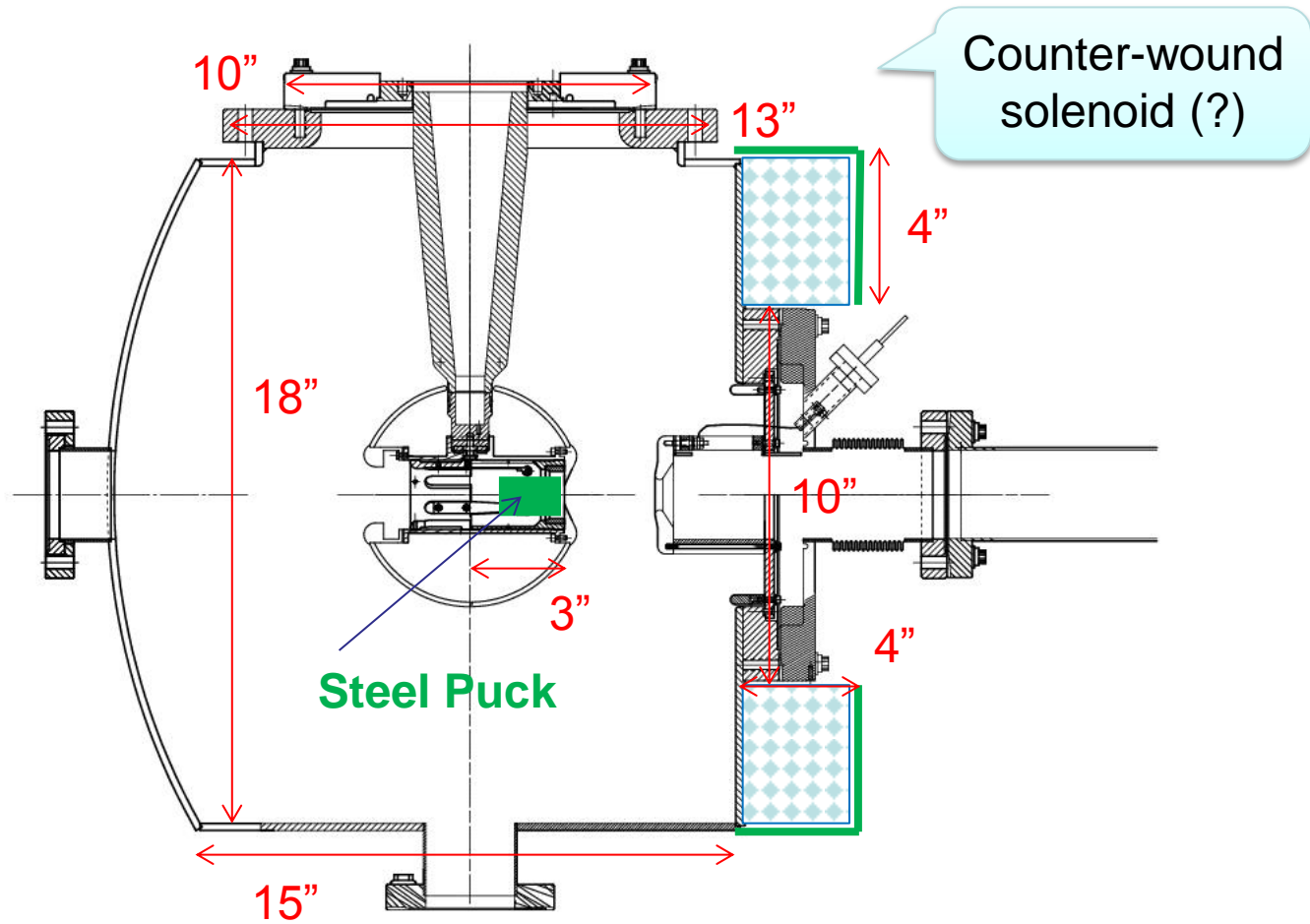
Magnetized Gun

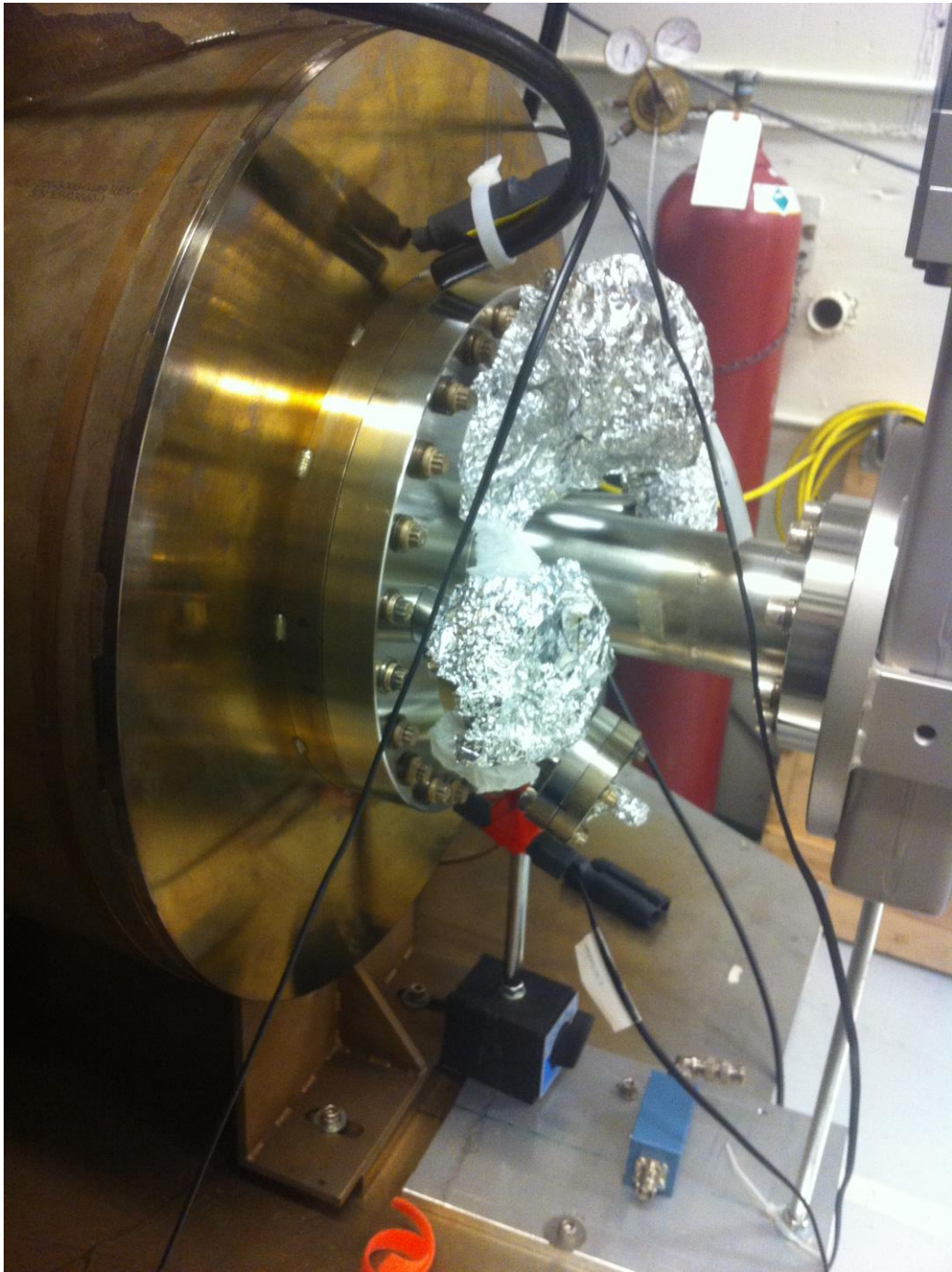


K₂CsSb
Preparation
Chamber

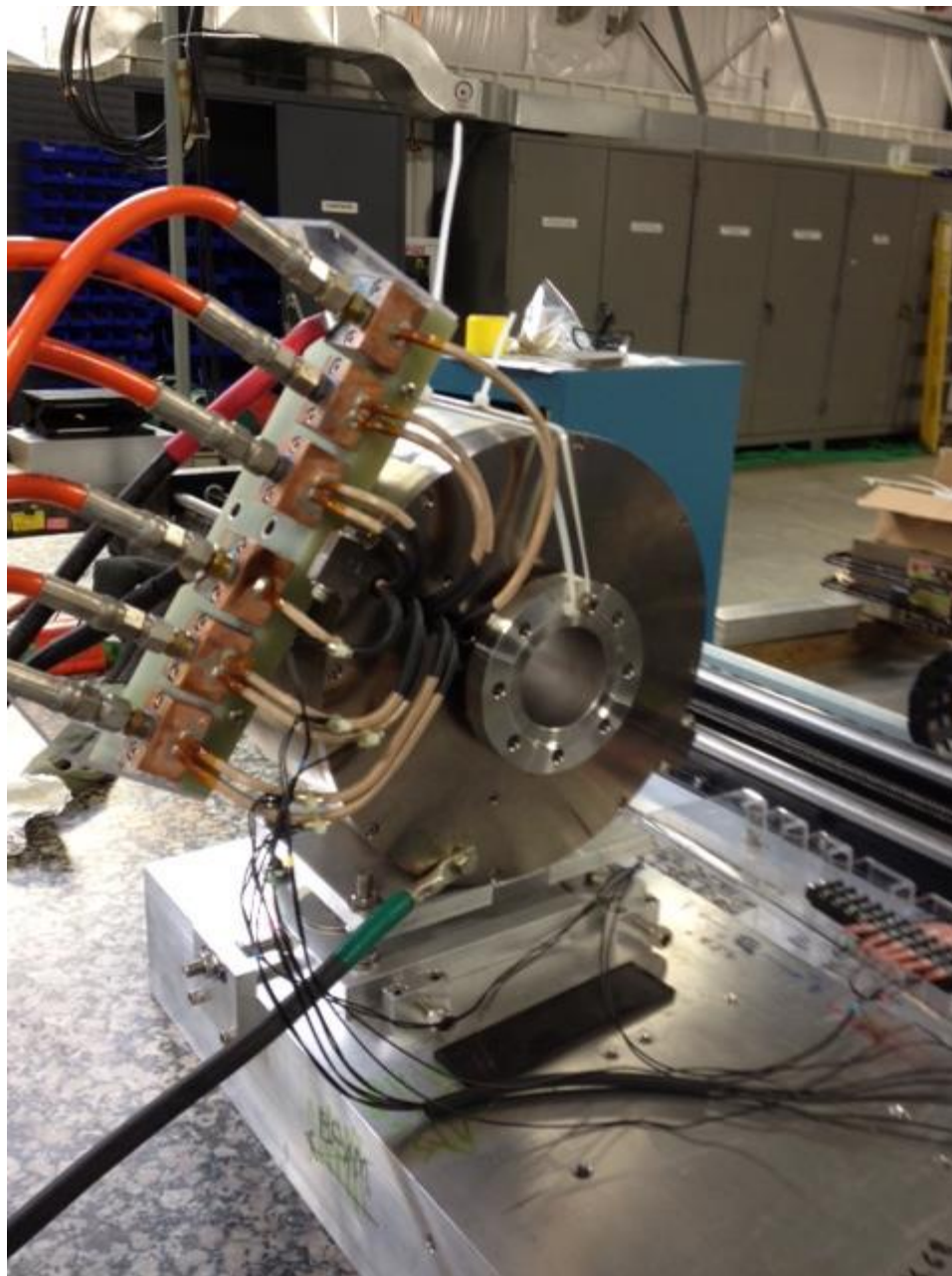
HV Chamber

One Coil + Steel Puck





Similar magnet:
PEPPo
MPT Solenoid



Timeline

Power Supply:

1. Move to Magnet Lab: February
2. Test: March
3. Move to GTS: April
4. Ready: July 1, 2016

Magnet:

1. Design: February and March
2. Procure: April
3. Map (with and w/o puck): July
4. Install: August, 2016

All magnet work has to be completed by September 30, 2016.