

# *Injector DAQ Projects require support from Fast Electronics Group - Updates*

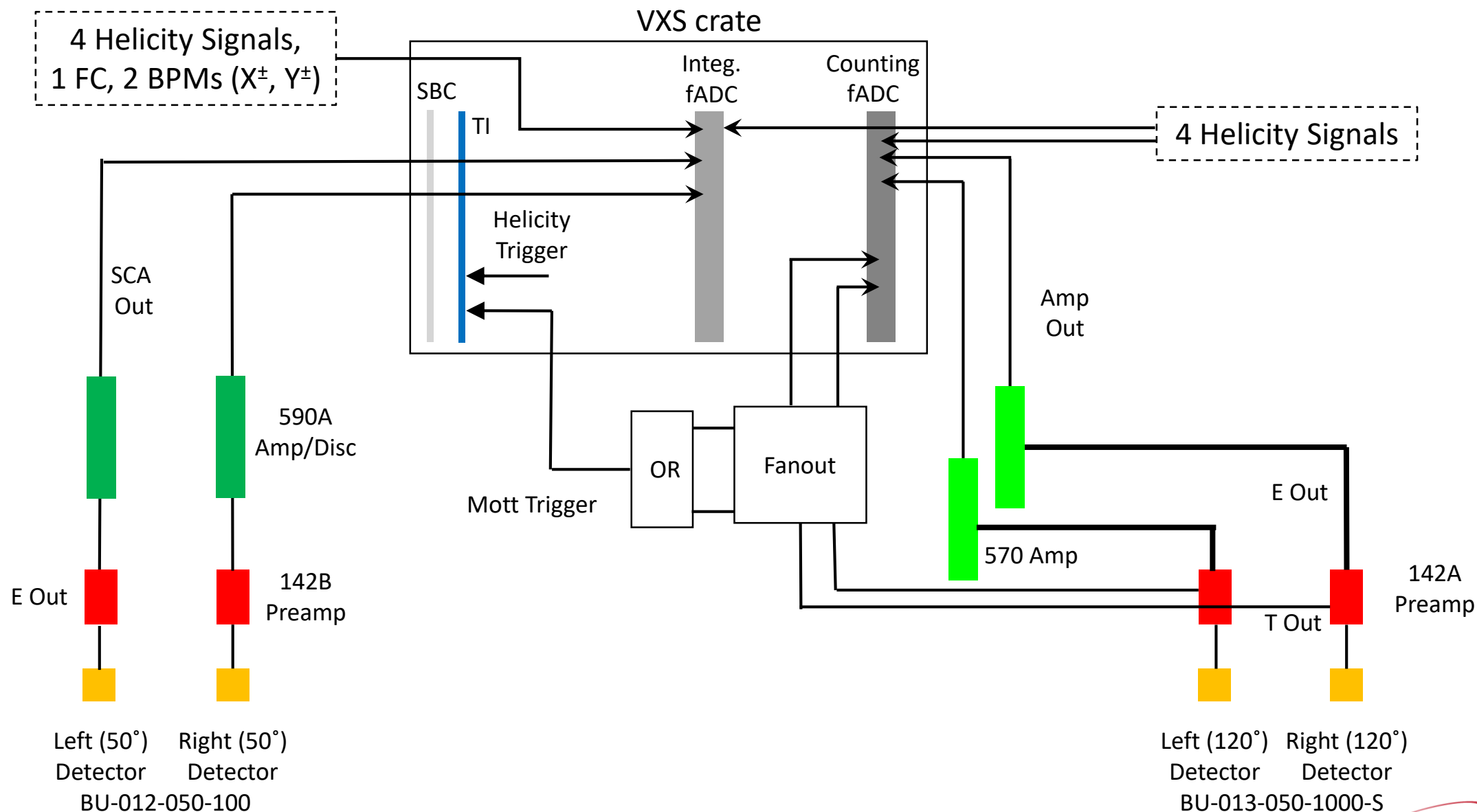
1. Compton Transmission Polarimeter Portable DAQ
2. Helicity Decoder Board
3. Mott Polarimeter DAQ at UITF

Riad Suleiman

Saturday, January 15, 2022

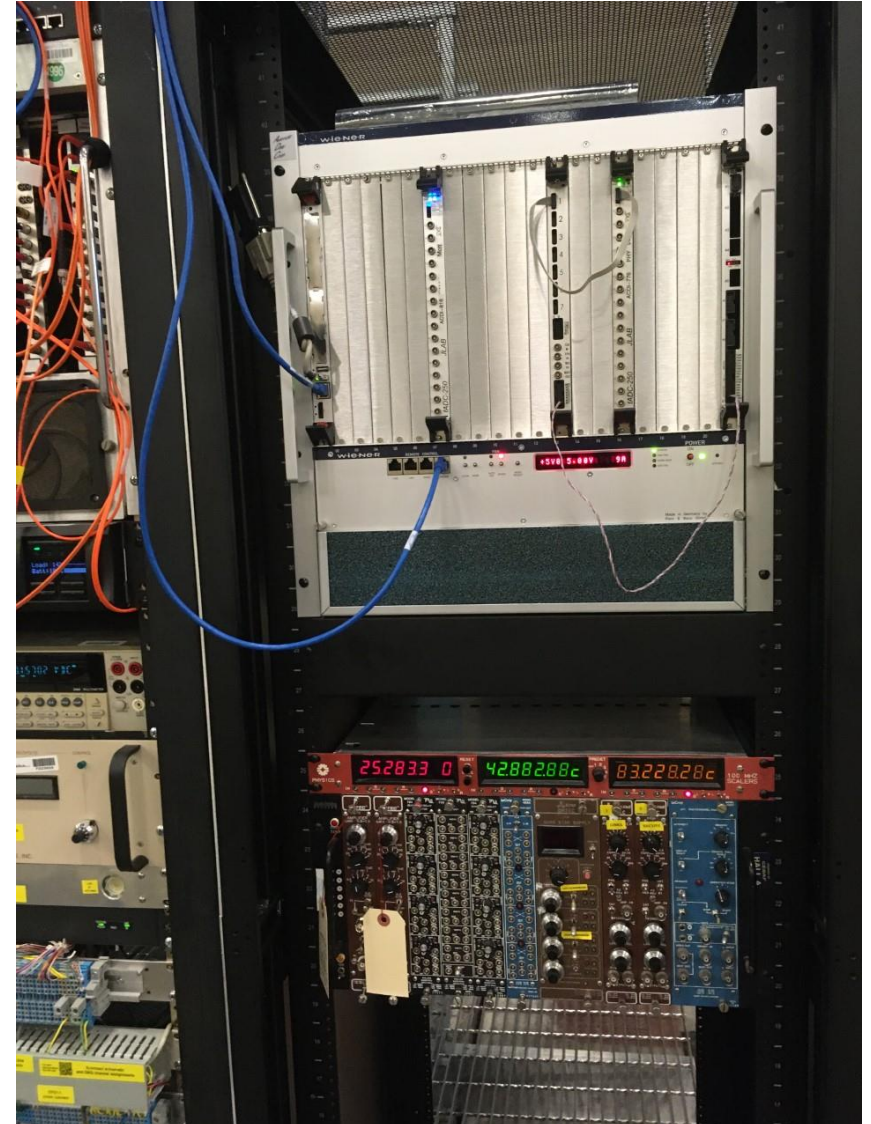
 Jefferson Lab

# Upgraded Injector Test Facility – Mott data acquisition



# Remaining Tasks: DAQ Hardware

- Cable NIM Crate and VXS Crate
- Cables from detectors to NIM Crate
  - We are reusing old cables from CEBAF
- Helicity signals from Helicity Board to VXS Crate
  - Need Fiber-to-Electrical card



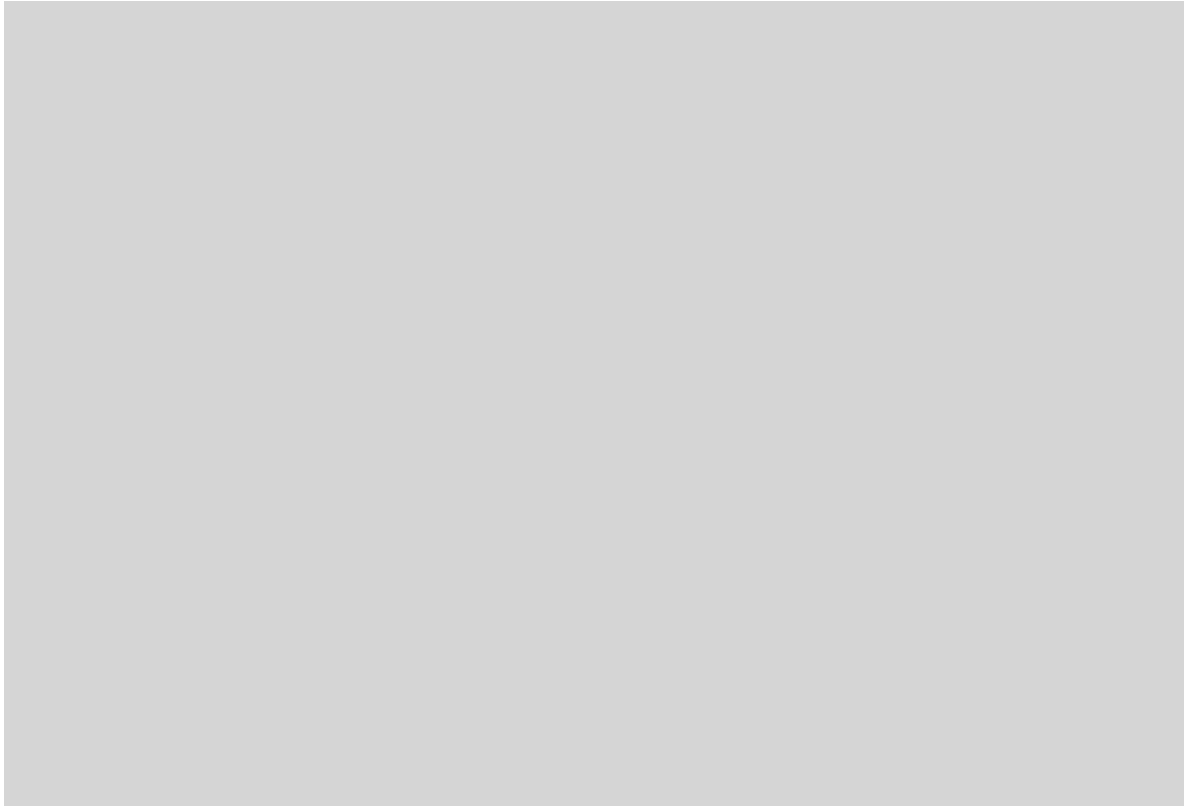
# Remaining Tasks: DAQ Firmware and Analysis Software

---

- CODA and Firmware: Installed on DAQ server (itfmdaq0) – need to be tested
- Data Decoding
- Data Analysis
- DAQ tests



**Jefferson Lab**



Saturday, January 15, 2022

