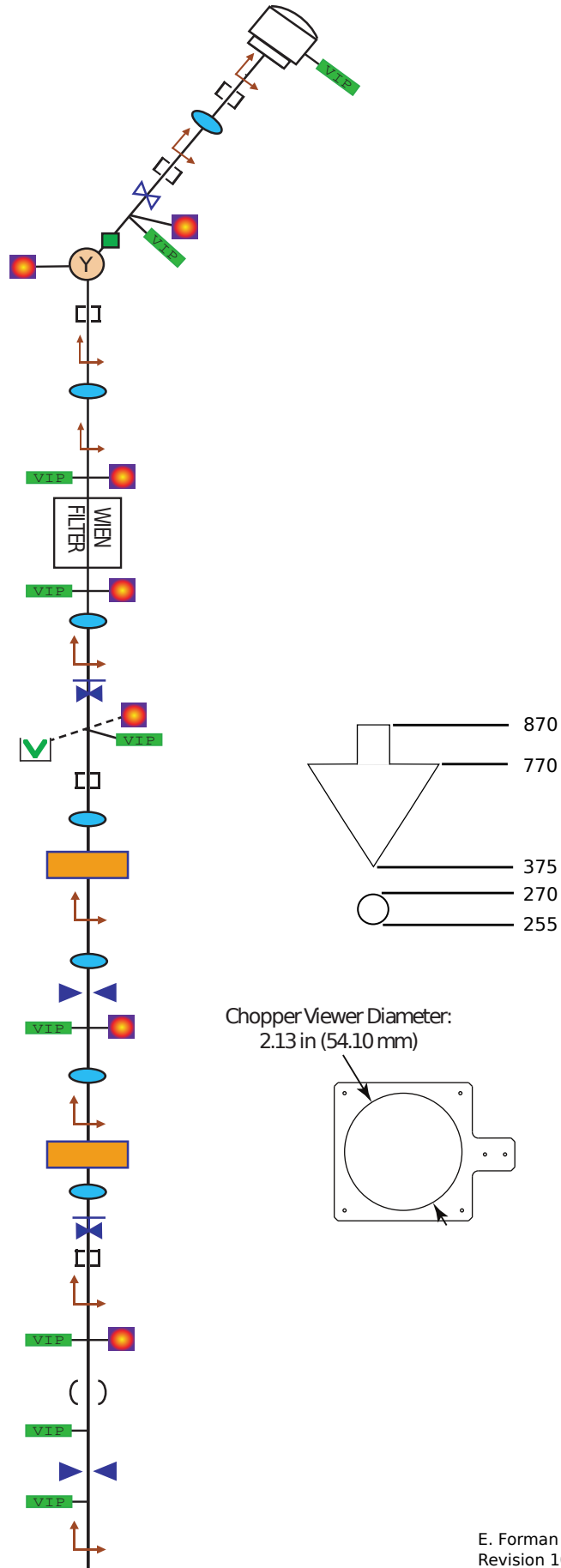


# UITF QUICK REFERENCE DRAWING

Revision 10: 7 AUG 2020

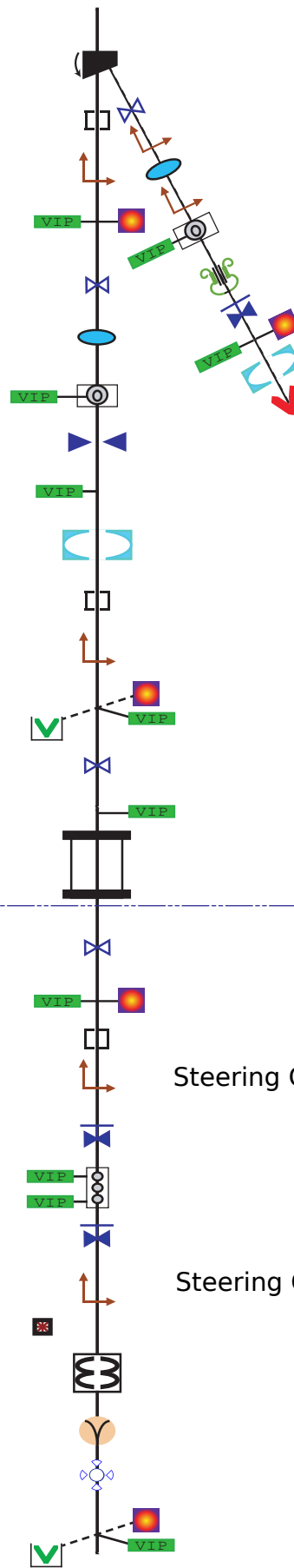
Ion Pump	VIPK101
Correctors	MBHK101 H&V
Antenna BPM 1	
Solenoid	MFHK101
Correctors	MBHK102 H&V
Antenna BPM 2	
Beamline Valve	VBVK201
Viewer + Ion Pump	ITVK201+VIPK201
Dipole	MDSK201
Viewer	ITVK201A
BPM	IPMK201
Correctors	MHBK201 H&V
Solenoid	MFBK202
Correctors	MBHK202 H&V
Viewer + Ion Pump+	ITVK202 + VIPK202+
Wien Filter	MWFK203
Viewer + Ion Pump+	ITVK203+ VIPK203+
Solenoid	MFQK203
Correctors	MBHK203 H&V
Manual Valve	VMVK203
Viewer + Faraday Cup 1 + Ion Pump+	ITVK203A+ IFYK203+ VIPK203A+
BPM	IPMK203
Solenoid	MFAK301
Chopper Cavity	RIHK301
Correctors	MHBK301 H&V
Solenoid	MFDK302A
Chopping Aperture	ISLK302
Chopper Viewer+ Ion Pump	ITVK302+ VIPK302
Solenoid	MFDK302B
Correctors	MHBK302 H&V
Chopper Cavity	RIHK302
Solenoid	MFAK303
Manual Valve	VMVK401
BPM	IPMK401
Correctors	MHBK401 H&V
Viewer+ Ion Pump	ITVK401+ VIPK401
Buncher Cavity	RIBK401
Ion Pump	VIPK401A
Aperture A3	ISLK401
Ion Pump	VIPK401B
Correctors	MHBK401A H&V



# UITF QUICK REFERENCE DRAWING

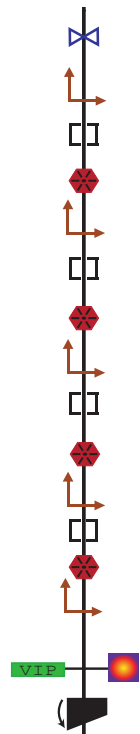
Spectrometer Dipole	MDIK402
BPM	IPMK402
Correctors	MHBK402 H&V
Viewer+ Ion Pump	ITVK402 VIPK402
Beamline Valve	VBVK403
Solenoid	MFQK403
DP Can+ Ion Pump	VDPK403+ VIPK403
Aperture A4	ISLK403
Ion Pump	VIPK403A
Brock Cavity	ICBK403
BPM	IPMK403
Correctors	MHBK403 H&V
Viewer + Faraday Cup 2+ Ion Pump+	ITVK403A+ IFYK403+ VIPK403B+
Beamline Valve	VBVM101
Ion Pump	VIPM101B
Cryomodule	

keV Spectrometer Beam Line	
Beamline Valve	VBVK501
Correctors	MHBK501 H&V
Solenoid	MFQK501
Correctors	MHBK501A H&V
DP Can+ Ion Pump	VDPK501+ VIPK501
Harp	IHAK501
Manual Valve	VMVK501A
Viewer+ Ion Pump	ITVK501 VIPK501A
Polarimeter Cavity	__K501
Beam Dump	IDLK501



<b>MeV Beam Line</b>	
Beamline Valve	VBVM201
Viewer+ Ion Pump	ITVM201 VIPM201
BPM	IPMM201
Correctors	MHBM201 H&V
Manual Valve	VMVM301
Dif Pump Ion Pumps	VDPM301A,B VIPM301A,B
Manual Valve	VMVM401
Correctors	MBHM401 H&V
BLM	ILMM401
PSS BCM Cavity	SBCM401
Yao Cavity	ICBM401
Rowgowski Coil	ROWM401
Viewer + Faraday Cup + Ion Pump+	ITVM401+ IFYM401+ VIPM401+

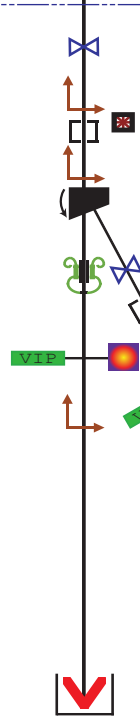
Beamline Valve	VBVM501
Correctors	MBHM501 H&V
BPM	IPMM501
Quad	MQJ M501
Correctors	MHBM502 H&V
BPM	IPMM502
Quad	MQJ M502
Correctors	MHBM503 H&V
BPM	IPMM503
Quad	MQJ M503
Correctors	MBHM504 H&V
BPM	IPMM504
Quad	MQJ M504
Correctors	MBHM504A H&V
Viewer+	ITVM504
Ion Pump	VIPM504
MDLM504	MDLM504



25° vertical chicane continues page 4.

### MeV Dump Beam Line

Beamline Valve	VBVM601
Correctors	MBHM802 H&V
BPM	IPMM601
Correctors	MBHM701 H&V
Dipole	MDLM601
Harp	IHAM601
Viewer+	ITVM601
Ion Pump	VIPM601
Correctors	MHBM601 H&V



Level (42" elevation) beam line section continues this page.

ILMM601

BLM

### MeV Spectrometer Beam Line 30° bend angle

Beamline Valve	VBVM701
BPM	IPMM701
Correctors*(unpowered)	MHBM701 H&V
BLM	ILMM701
Ion Pump	VIPM701
Quad	MQJ M701
BPM	IPMM702
Correctors*(unpowered)	MHBM702 H&V
Quad	MQJ M702
Harp	IHAM703
Ion Pump+ Viewer	VIPM703 + ITVM703
Beam Dump	IDLM703

Beam Dump	IDLM601
-----------	---------

# UITF QUICK REFERENCE DRAWING

25° vertical chicane continued from page 3

