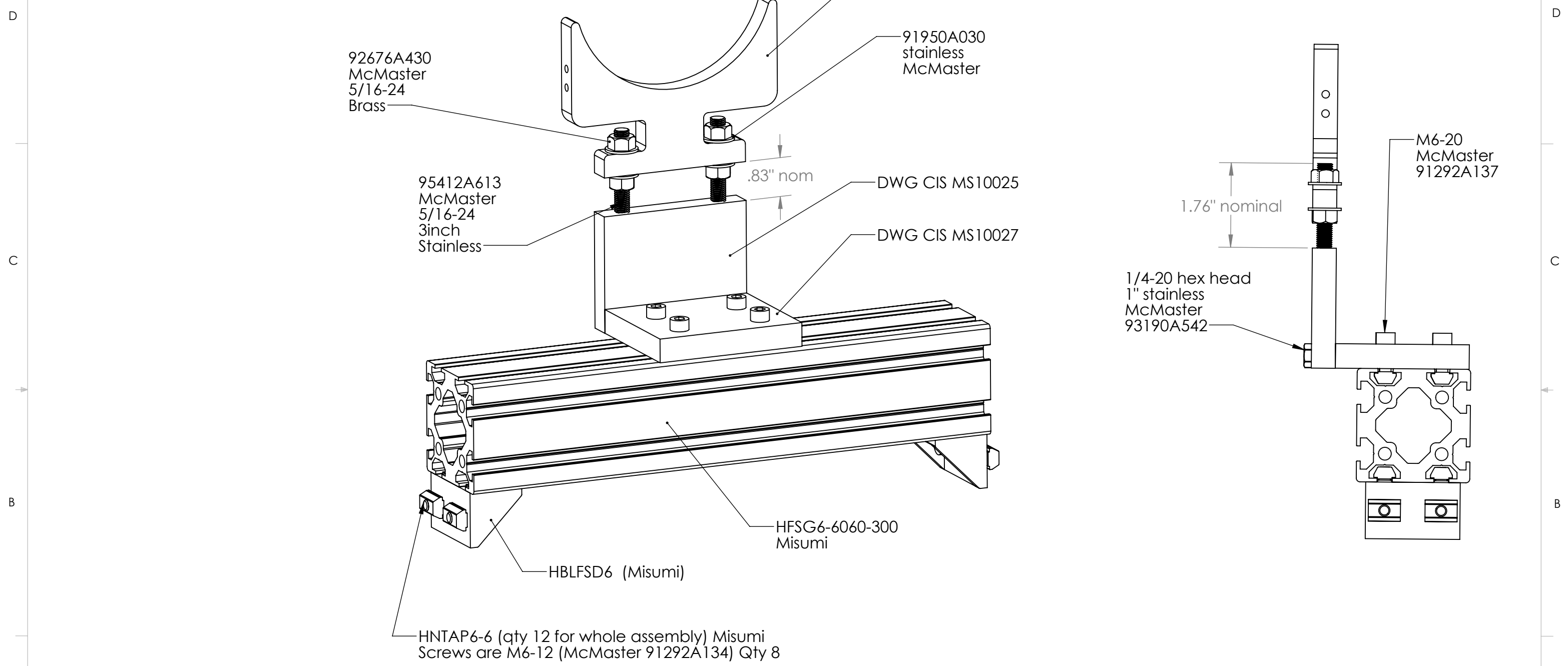


8 7 6 5 4 3 2 1



A A

PROPRIETARY AND CONFIDENTIAL
THE INFORMATION CONTAINED IN THIS DRAWING IS THE SOLE PROPERTY OF <INSERT COMPANY NAME HERE>. ANY REPRODUCTION IN PART OR AS A WHOLE WITHOUT THE WRITTEN PERMISSION OF <INSERT COMPANY NAME HERE> IS PROHIBITED.

		UNLESS OTHERWISE SPECIFIED:		NAME	DATE	Hansknecht TITLE: assembly notes for 4.5" clamp SIZE DWG. NO. REV B 4.5in clamp assembly SCALE: 1:4 WEIGHT: SHEET 1 OF 1
		DIMENSIONS ARE IN INCHES TOLERANCES: FRACTIONAL ± ANGULAR: MACH ± BEND ± TWO PLACE DECIMAL ± THREE PLACE DECIMAL ±		DRAWN	8/2014	
		INTERPRET GEOMETRIC TOLERANCING PER:		CHECKED		
		MATERIAL		ENG APPR.		
		FINISH		MFG APPR.		
NEXT ASSY	USED ON			Q.A.		
APPLICATION		DO NOT SCALE DRAWING		COMMENTS:		