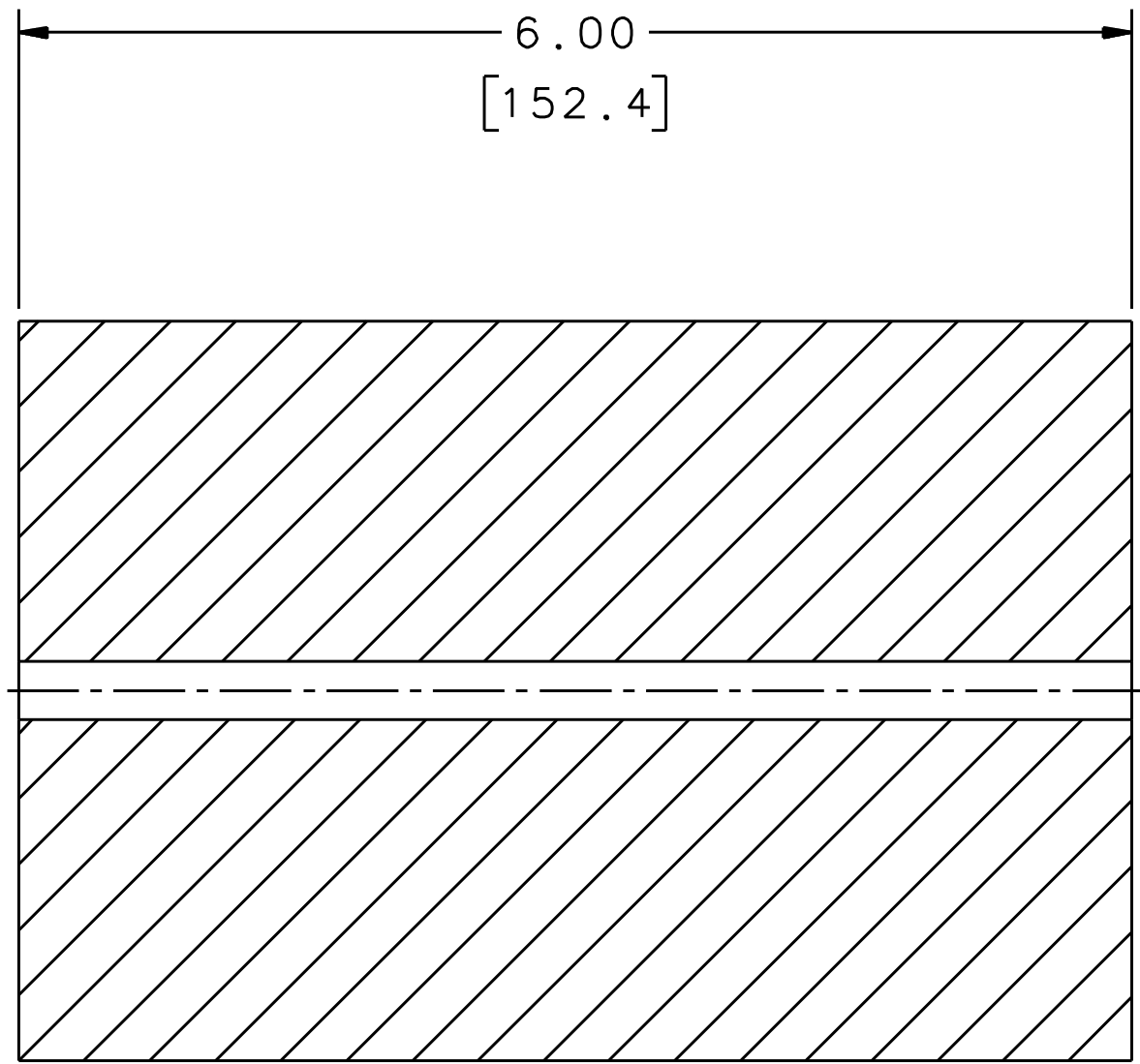
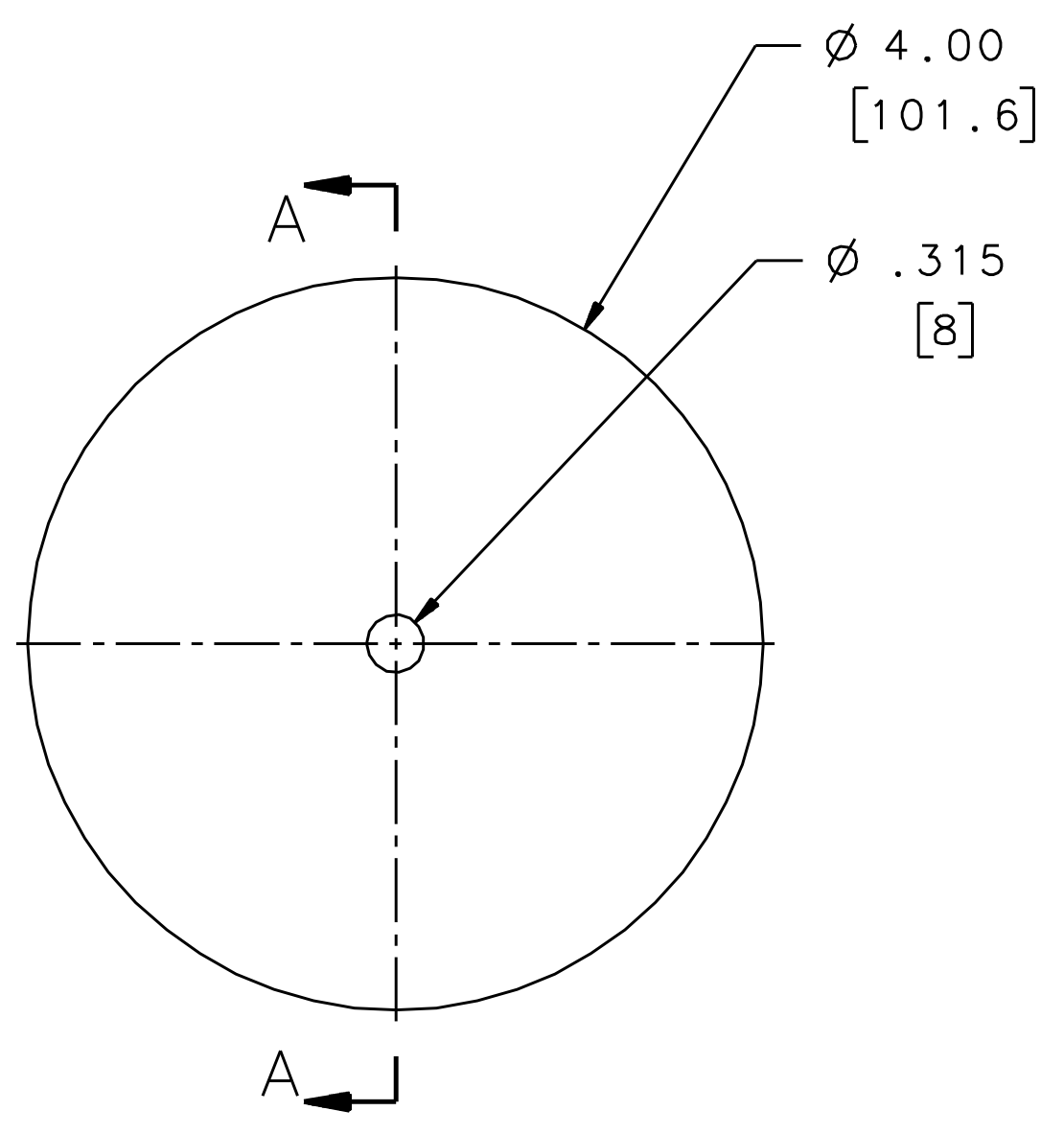


REVISION HISTORY				
ZONE	REV	DESCRIPTION	DATE	APPROVED



SECTION A-A

NOTES:

1. ASME Y14.5-2009 IS USED FOR ALL DIMENSIONING AND TOLERANCING.
2. DIMENSIONS ARE IN INCHES/MILLIMETERS.
3. ESTIMATED WEIGHT IS 24 LB.

DIM & TOL PER ASME Y14.5. UNLESS OTHERWISE SPECIFIED DIMENSIONS ARE IN INCHES. TOLERANCES ARE: FRACTIONS DECIMAL ANGLES $\pm$ N/A .X $\pm$ .1 $\pm$ .50° .XX $\pm$ .01 .XXX $\pm$ .005	MATERIAL COPPER TYPE OFHC	United States Department of Energy <b>Jefferson Lab</b> <small>Thomas Jefferson National Accelerator Facility</small> Newport News Virginia
	FINISH 125 UNLESS OTHERWISE NOTED MACHINING SURFACES DEBURR & BREAK ALL SHARP EDGES	ACC INJECTOR (DETAILS & ASSEMBLIES) BUBBLE CHAMBER CU COLLIMATOR
THIRD ANGLE PROJECTION 	DO NOT SCALE DRAWING	SIZE DWG. NO. D JL0015777
DRAWN S.A. GREGORY	DATE 23MAY14	SCALE 1:1 USED ON ASSY NO. JL0015130 SHEET 1 OF 1