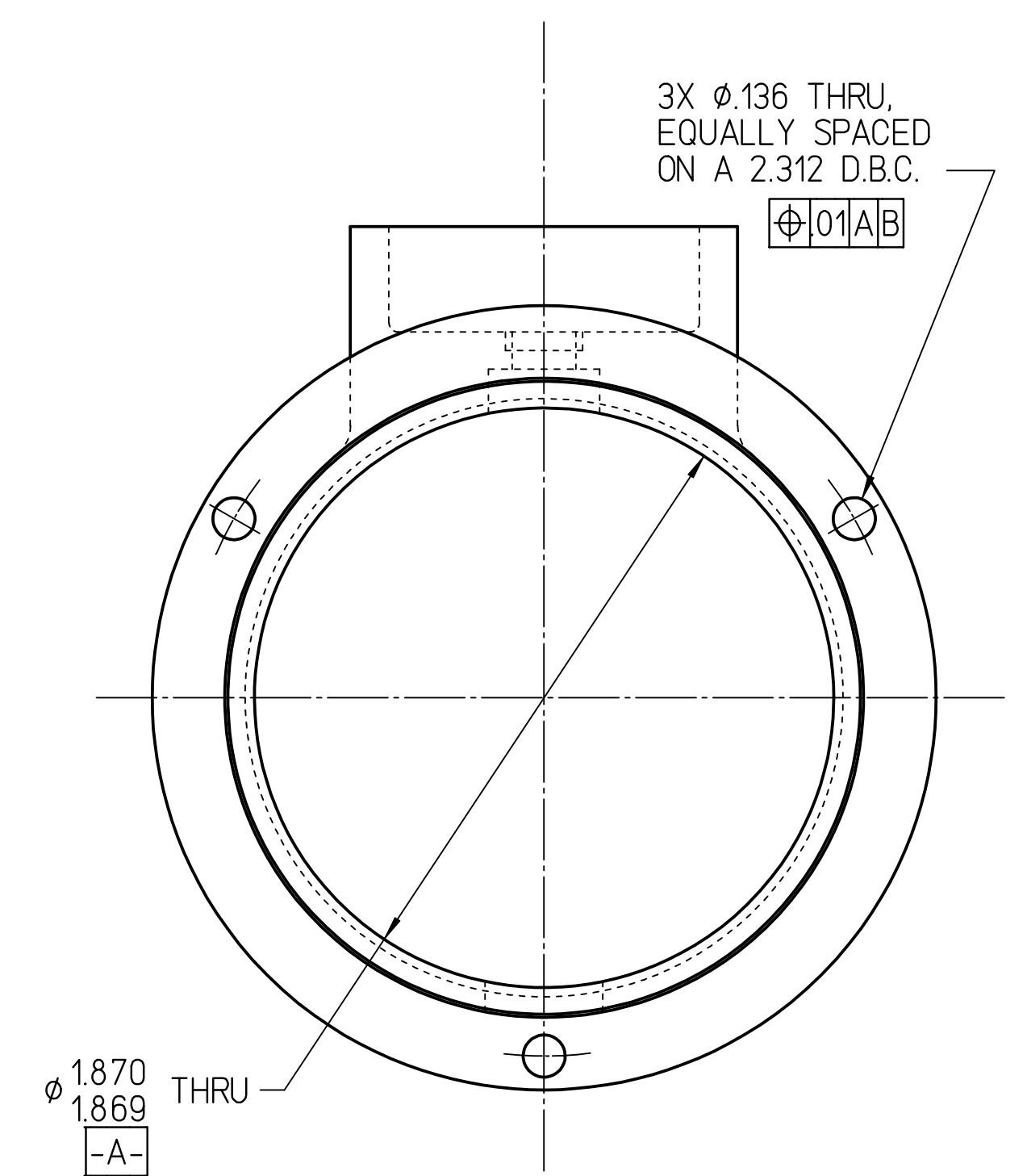
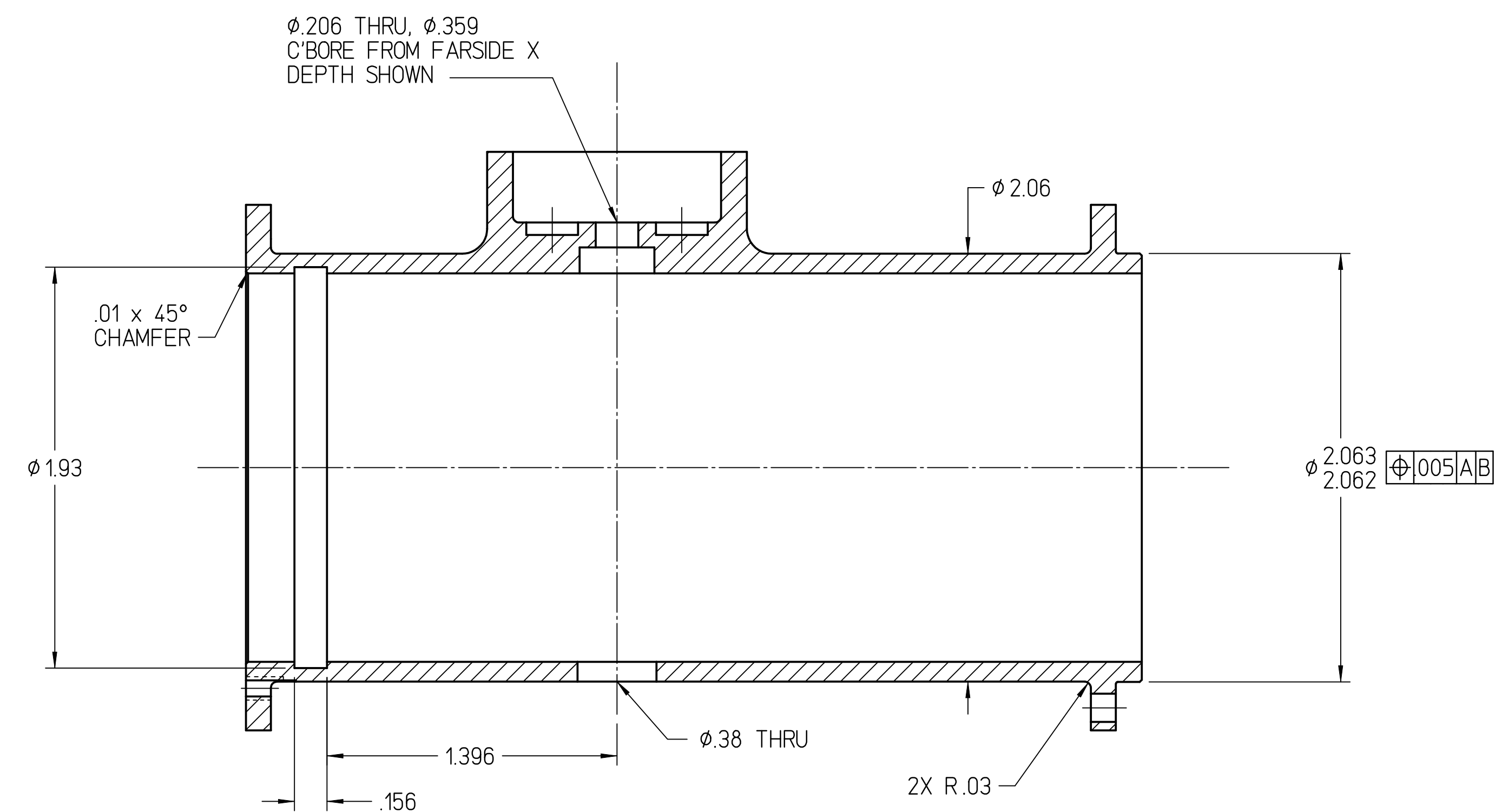
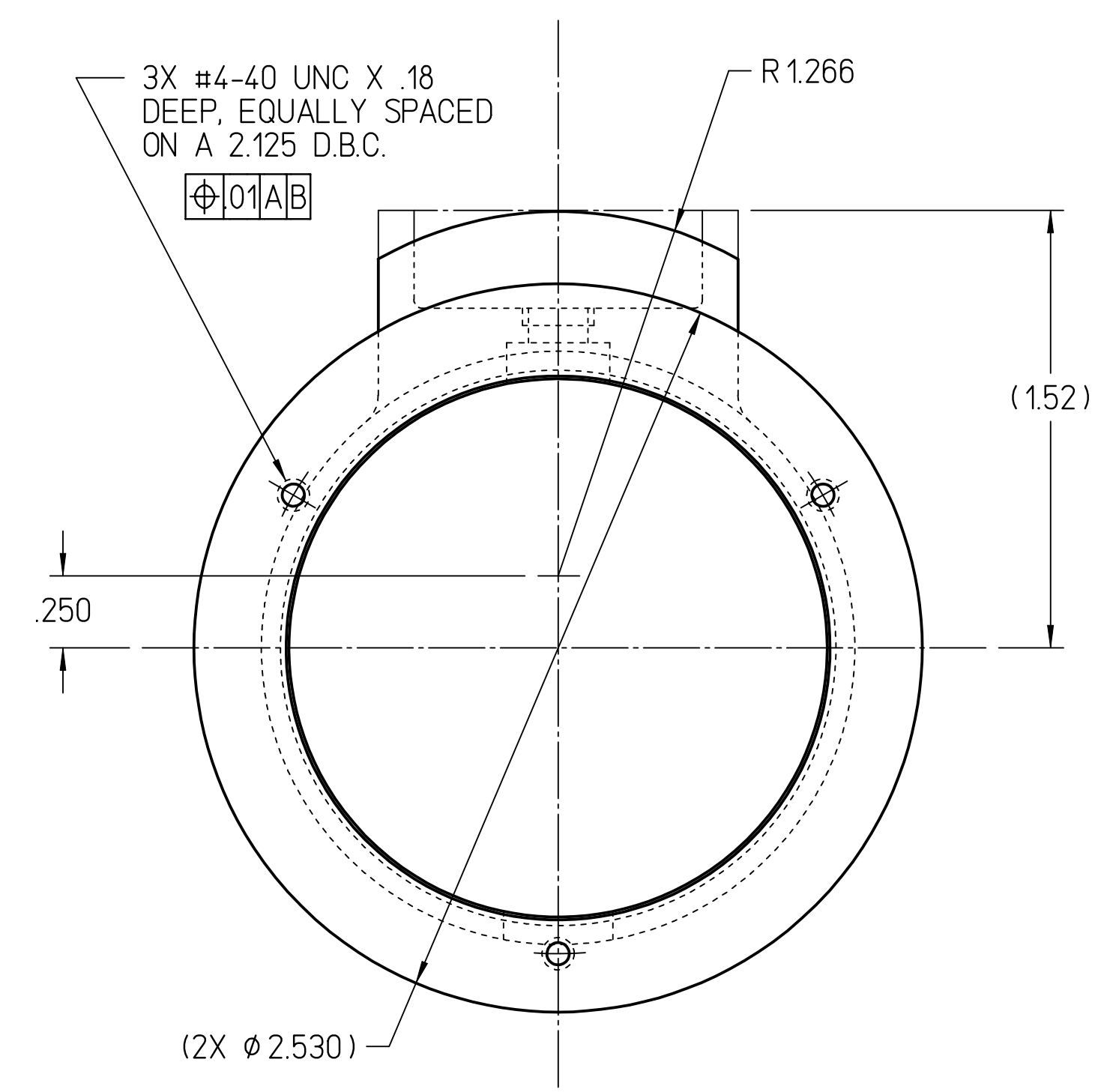
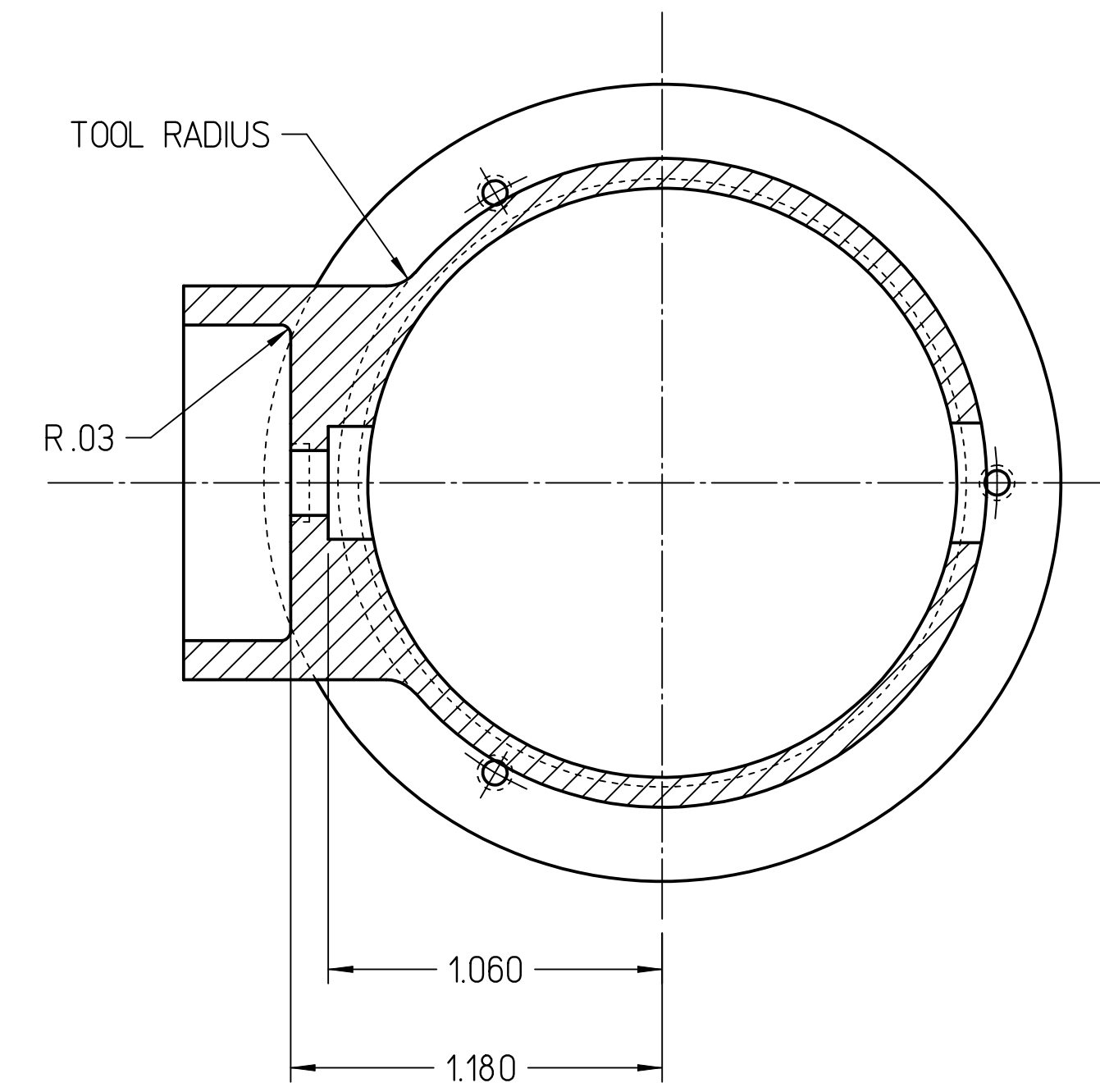
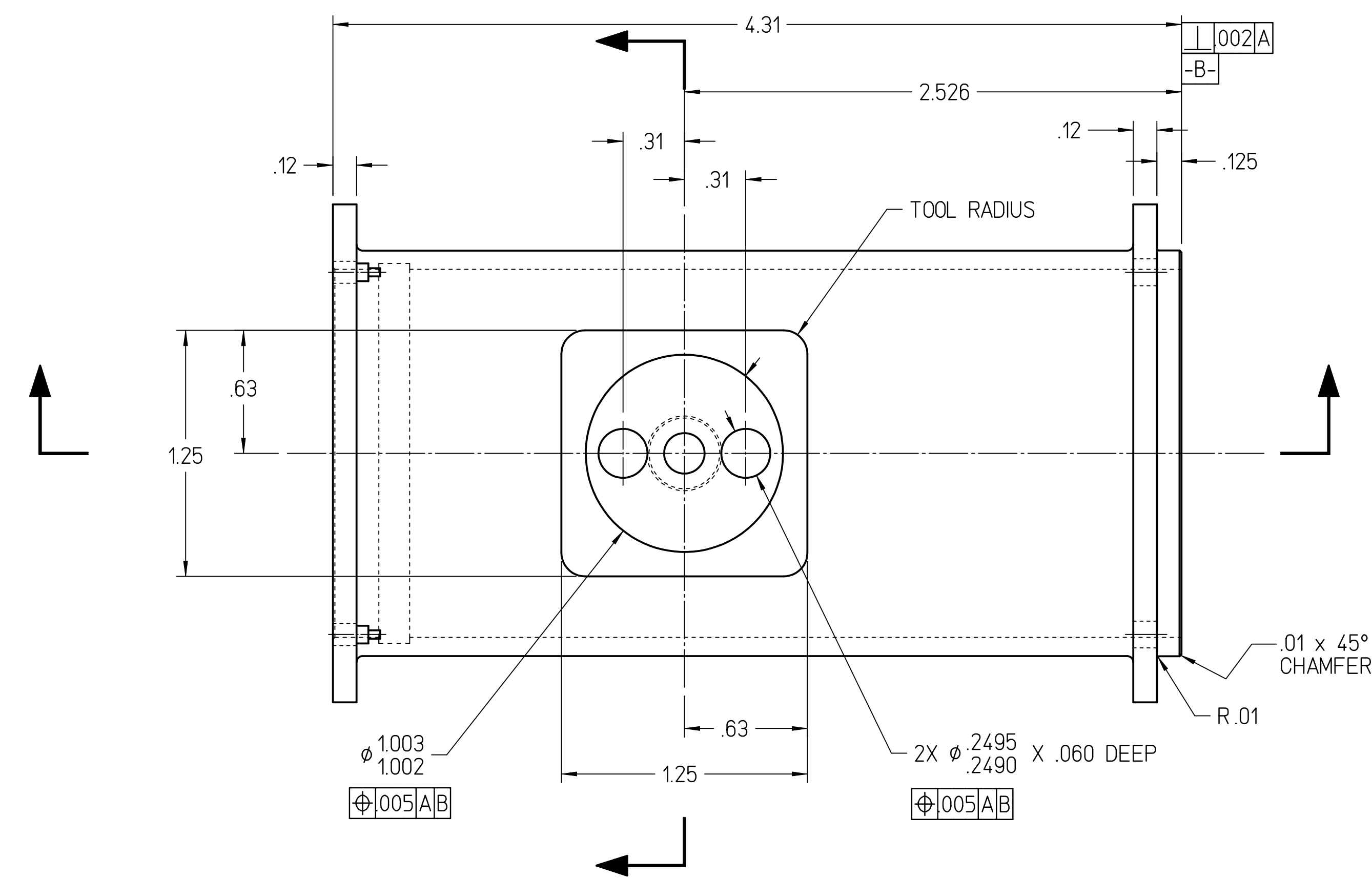


| REVISION HISTORY | | | | |
|------------------|-----|-------------|------|----------|
| ZONE | REV | DESCRIPTION | DATE | APPROVED |
| | | | | |



NOTES:

- USE THE FOLLOWING JLAB SPECIFICATIONS
 FABRICATION OF ULTRA HIGH VACUUM EQUIPMENT: #22631-S-001
 CLEANING AND HANDLING OF U.H.V. COMPONENTS: #22632-S-001

| QTY REQD | ITEM NO. | PART OR IDENTIFYING NO. | NOMENCLATURE OR DESCRIPTION | MATERIAL SPECIFICATION | NOTES |
|---|----------|---|--|----------------------------------|---|
| PARTS LIST | | | | | |
| DOCUMENT CONTROL STAMP | | DIM & TOL PER ASME Y14.5 UNLESS OTHERWISE SPECIFIED DIMENSIONS ARE IN INCHES TOLERANCES ARE: FRACTIONS DECIMAL ANGLES | | TRACKING NO. N/A | |
| MATERIAL STAINLESS STEEL TYPE 316L | | THIRD ANGLE PROJECTION | | APPROVALS DATE | |
| FINISH MACHINED SURFACES DEBURR & BREAK ALL SHARP EDGES | | 63 UNLESS OTHERWISE NOTED | | DRAWN D. MACHE 14FEB12 | |
| DO NOT SCALE DRAWING | | | | CHECKED B. MATT POELKER 2/17/12 | |
| | | | | APPROVED B. MATT POELKER 2/17/12 | |
| | | | | APPROVED J. HANSKNECHT 2/17/12 | |
| | | | U.S. Department of Energy Office of Science | | Operated by Jefferson Science Associates, LLC |
| | | | | | |
| | | | ACC INJECTOR LOAD LOCK GUN SPHERICAL ELECTRODE MOUNT | | |
| | | | SIZE DWG. NO. D ACC-200-3000-0467 | | REV. - |
| | | | SCALE 2:1 USED ON ASSY NO. ACC-200-3000-0464 | | SHEET 1 OF 1 |