

8

7

6

5

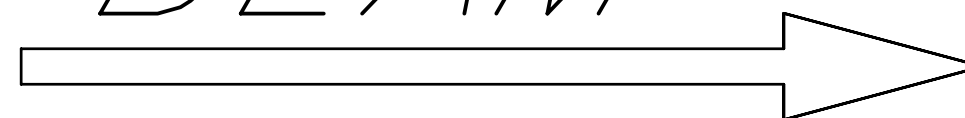
4

3

2

1

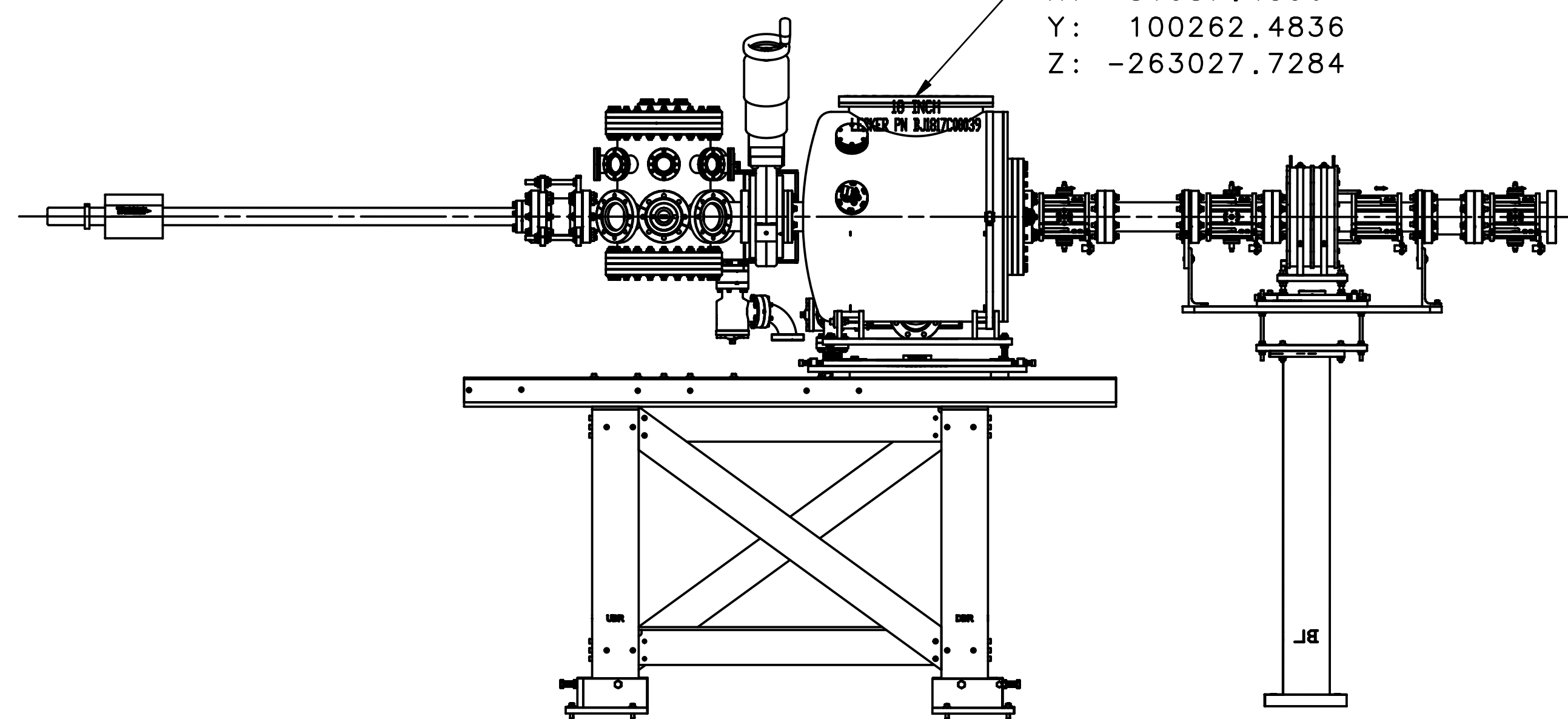
BEAM



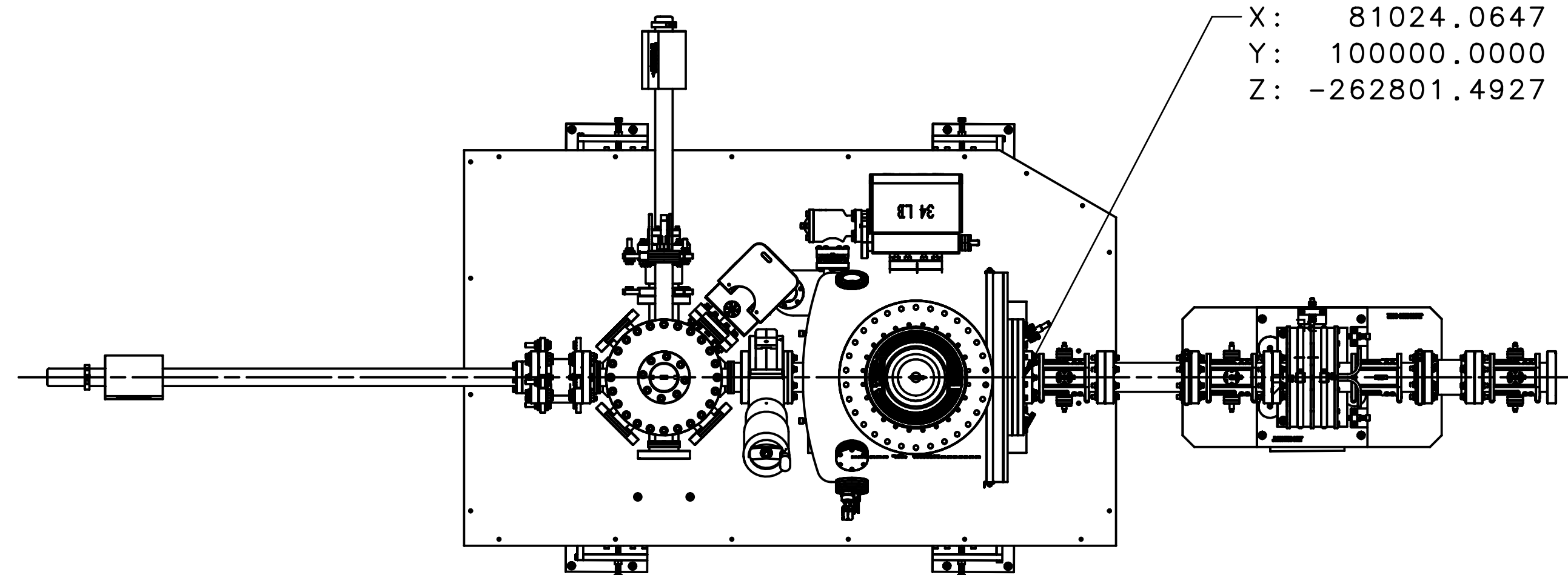
REVISION HISTORY		
ZONE	REV	DESCRIPTION

POSITIONS FROM CHRIS
TOP FLANGE OF CHAMBER

X: 81087.4596
Y: 100262.4836
Z: -263027.7284



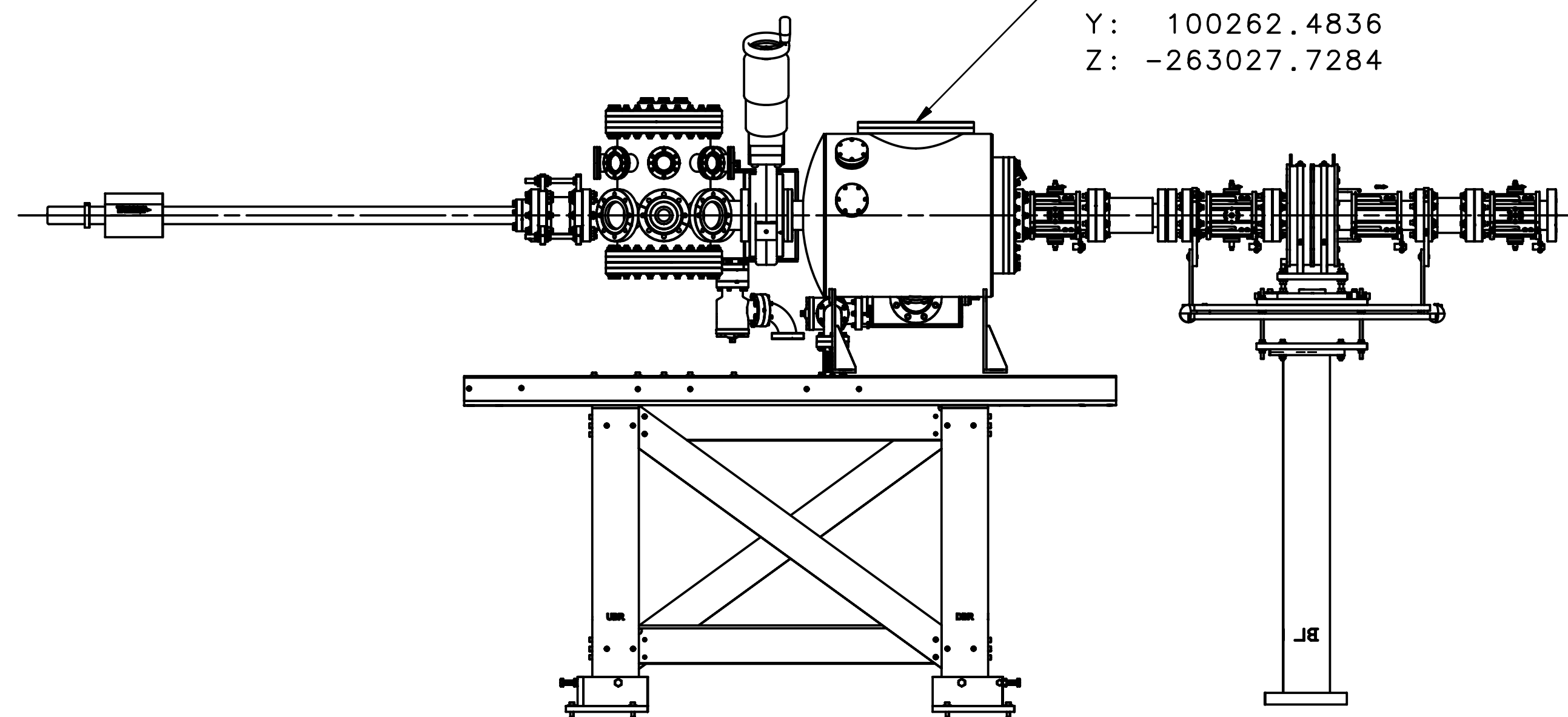
X: 81024.0647
Y: 100000.0000
Z: -262801.4927



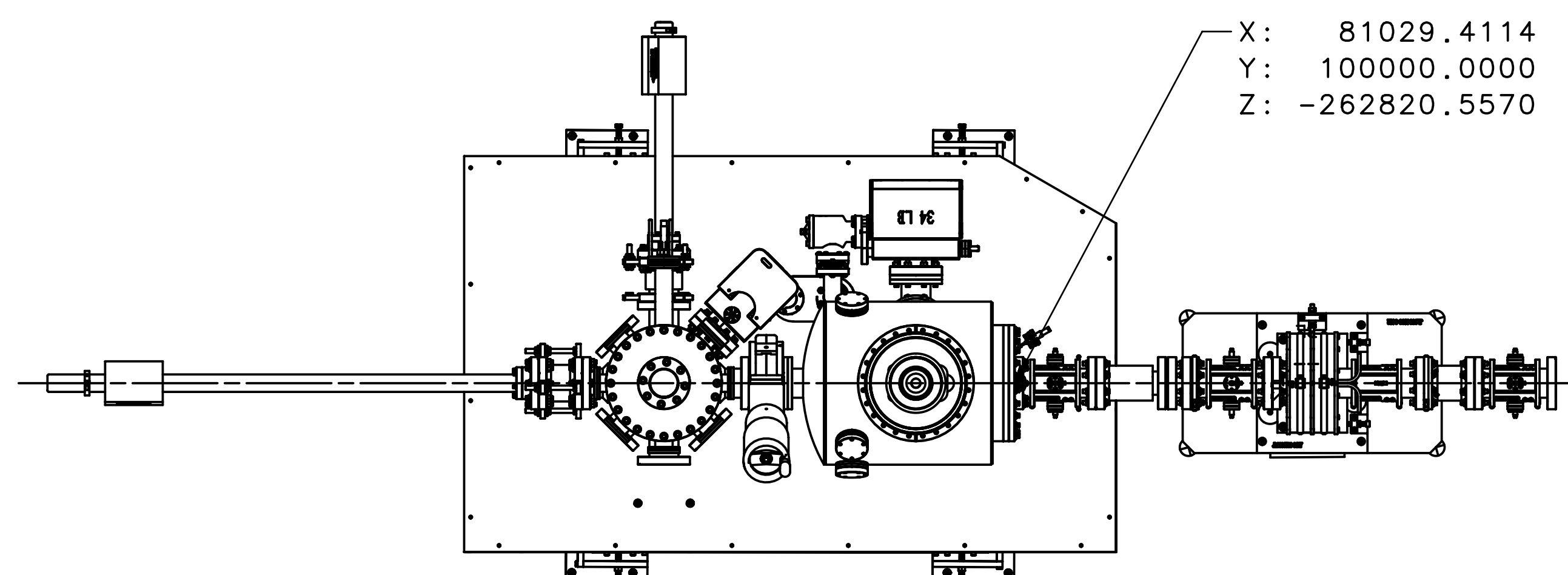
18 INCH GUN ARRANGEMENT R30-3

POSITIONS FROM CHRIS
TOP FLANGE OF CHAMBER

X: 81087.4596
Y: 100262.4836
Z: -263027.7284



X: 81029.4114
Y: 100000.0000
Z: -262820.5570



14 INCH GUN ARRANGEMENT R28-2

EACH SHEET OF MULTI-SHEET DRAWINGS SHALL ALWAYS HAVE THE SAME REVISION LEVEL.

DIM & TOL PER ASME Y14.5 2009. UNLESS OTHERWISE SPECIFIED DIMENSIONS ARE IN INCHES. TOLERANCES ARE: FRACTIONS DECIMAL ANGLES $\pm 1/16$ $\pm .01$ $\pm 30'$ $\pm .005$ $\pm .01$ $\pm .005$	MATERIAL SEE PARTS LIST	United States Department of Energy Jefferson Lab <small>Thomas Jefferson National Accelerator Facility</small> Newport News Virginia
FINISH UNLESS OTHERWISE NOTED MACHINED SURFACES 125 DEBURR & BREAK ALL SHARP EDGES	THIRD ANGLE PROJECTION 	MATERIALS MATERIALS MISCELLANEOUS SECTION 01-PHOTO-GUN TO VB2102
DO NOT SCALE DRAWING DRAWN: [] DATE: []	SIZE DWG. NO. E JL0091130-0100	REV. - SHEET 1 OF 3

8

7

6

5

4

3

2

1