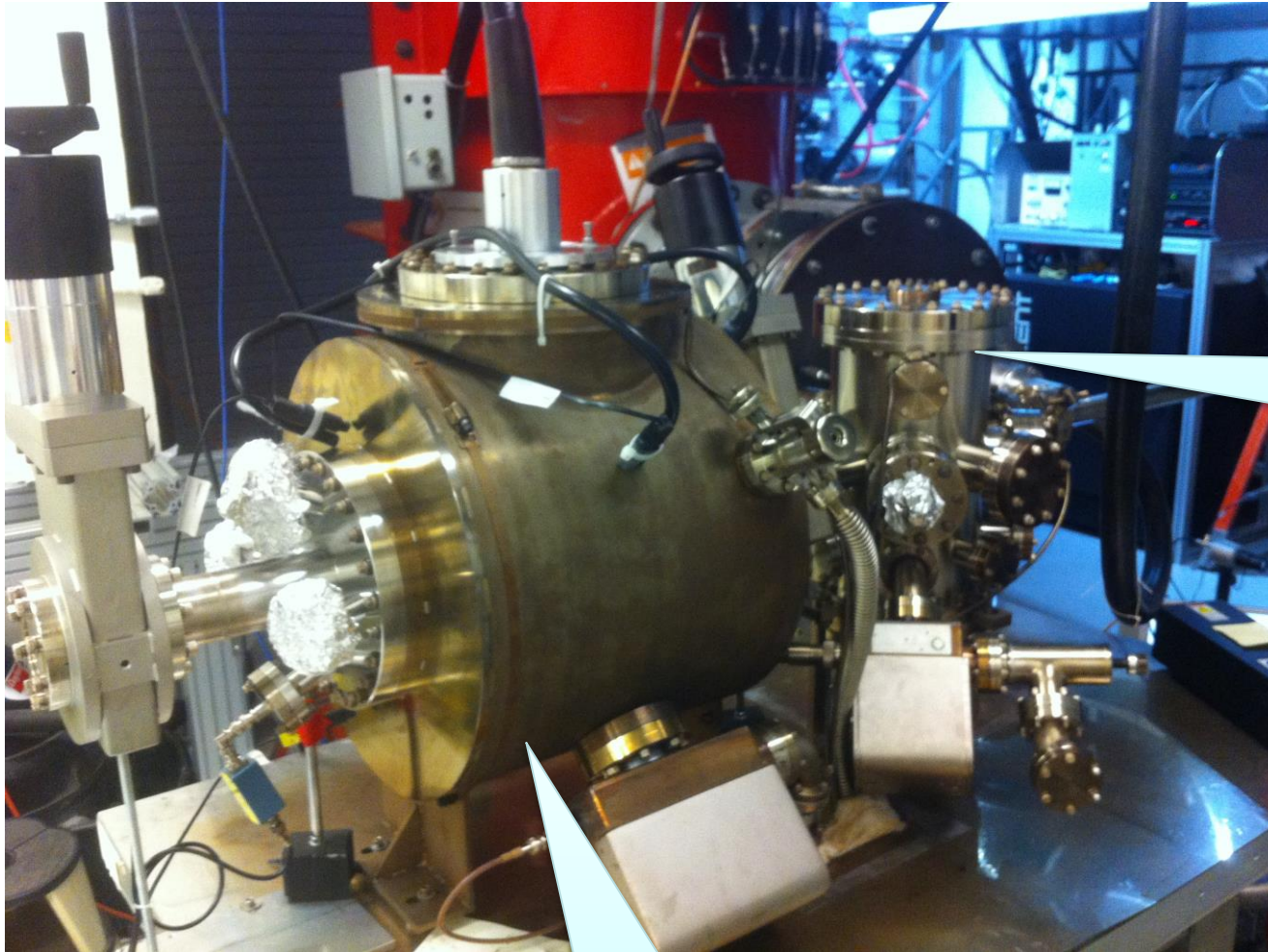


One Coil Gun Magnet

February 2, 2016

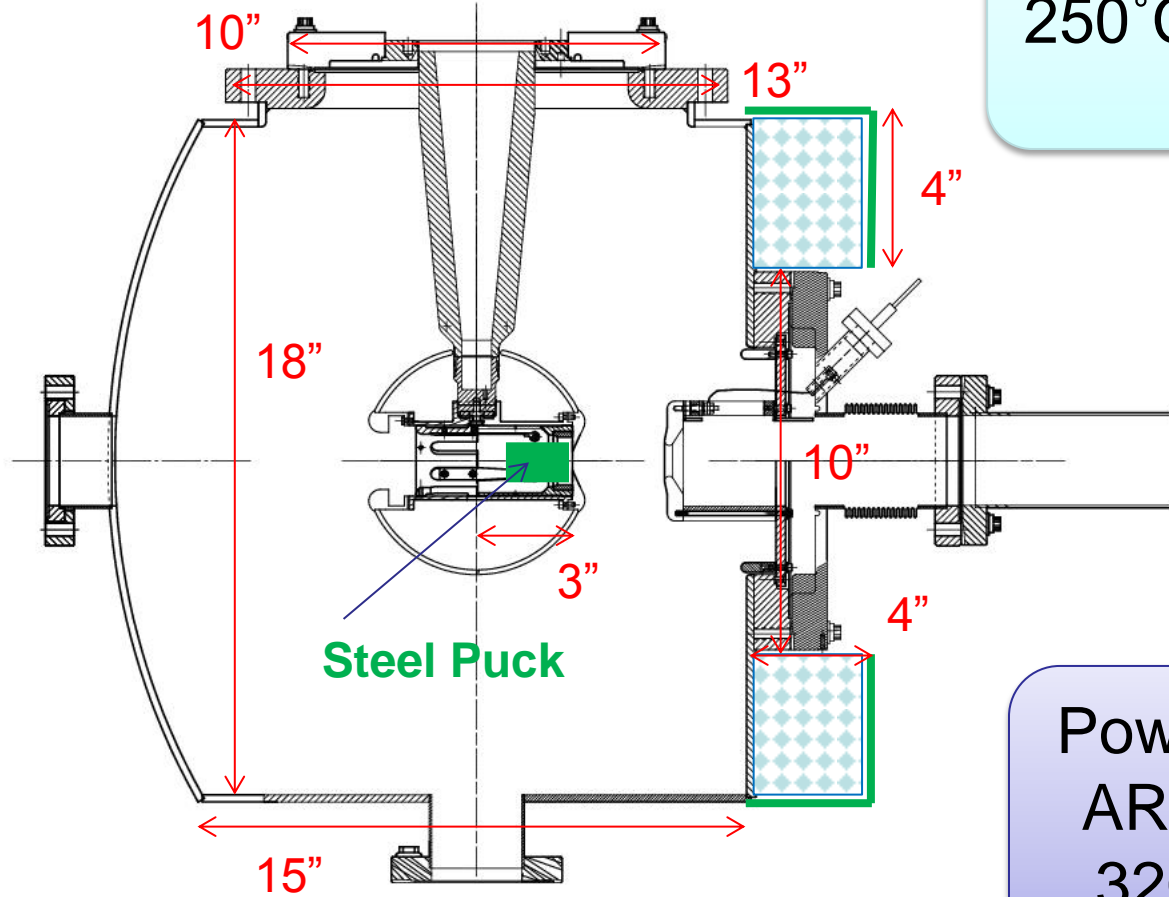
Magnetized Gun



K₂CsSb
Preparation
Chamber

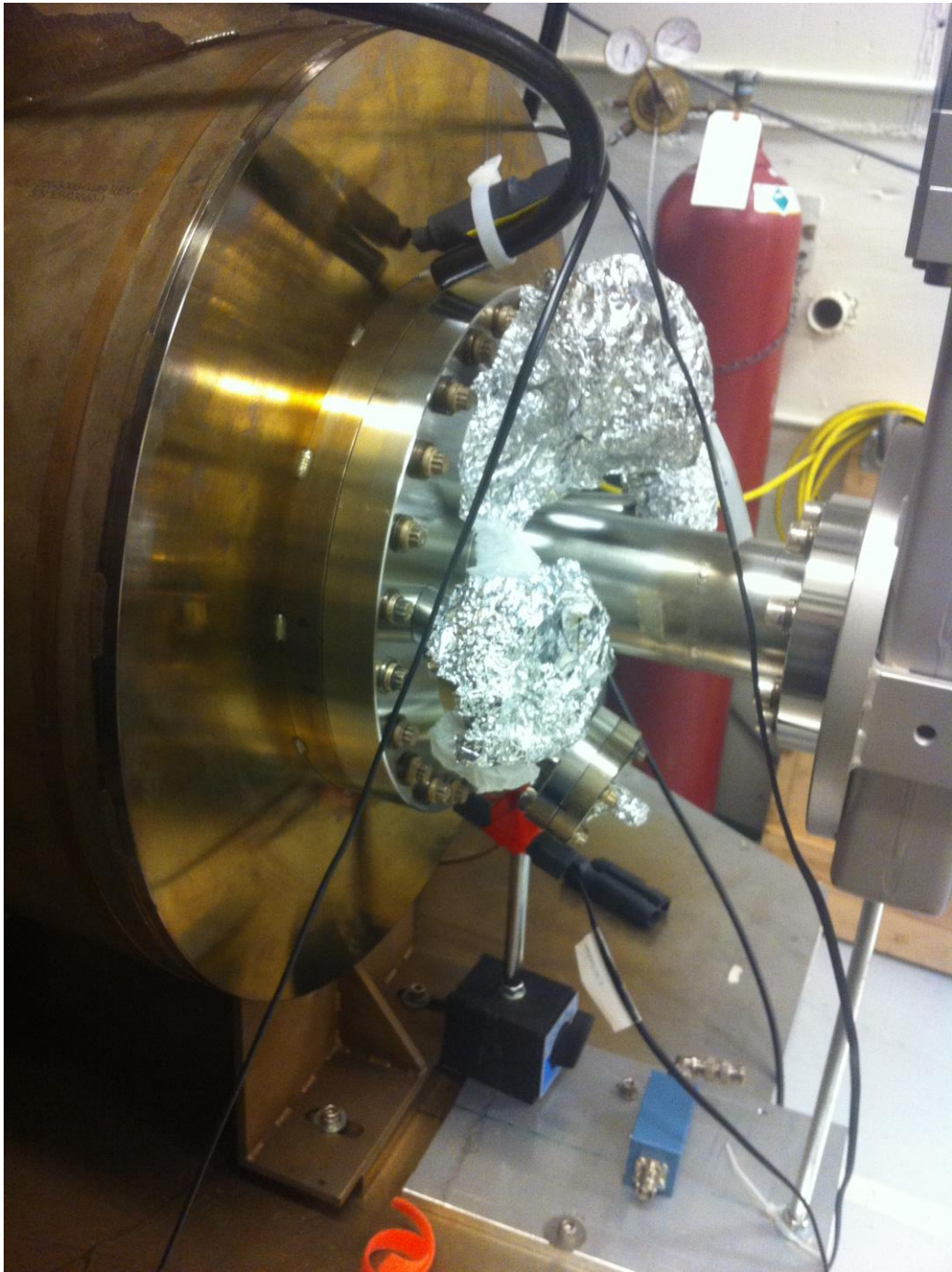
HV Chamber

One Coil + Steel Puck

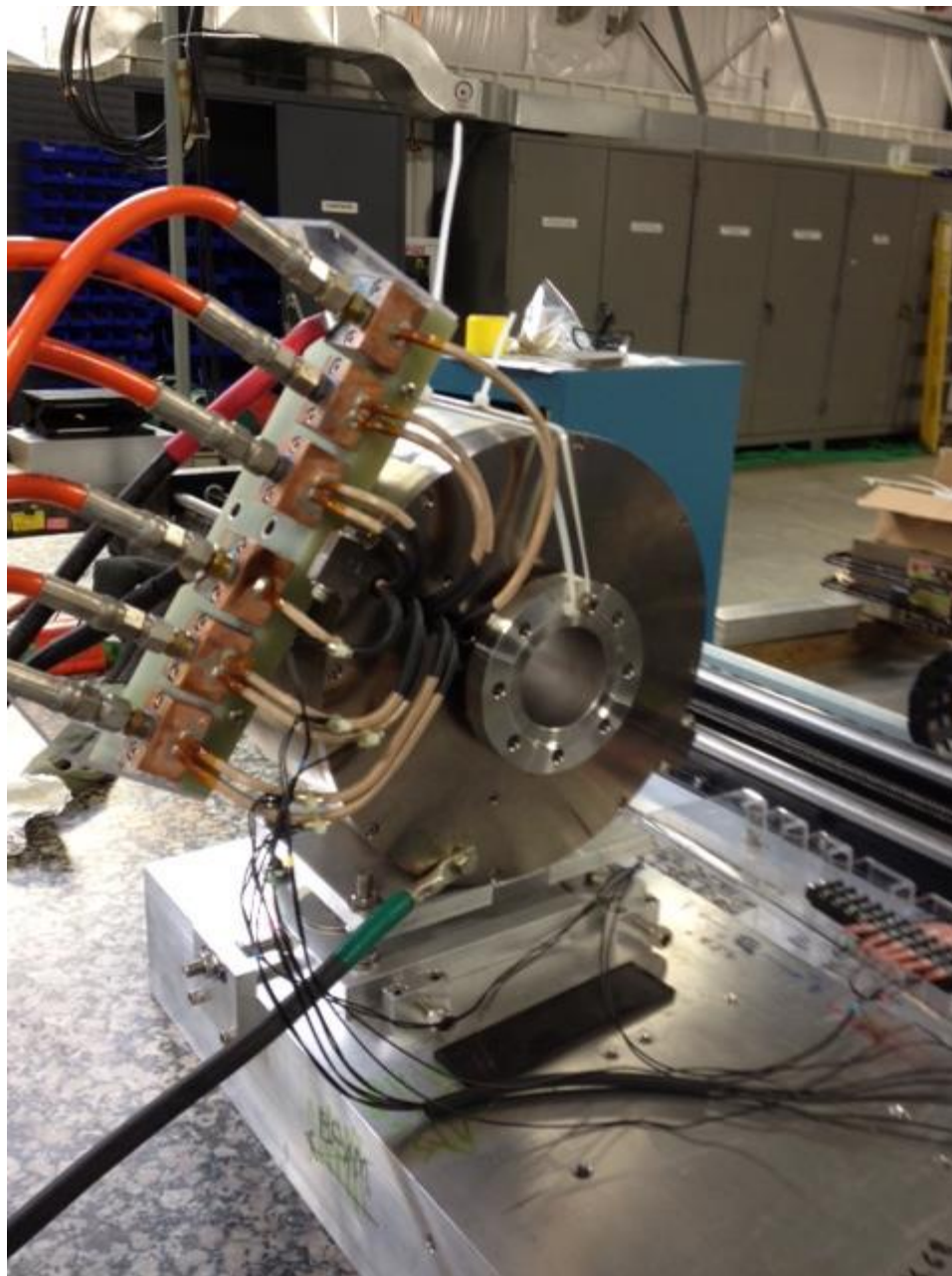


Should stand
250°C gun bake
(?)

Power Supply:
ARC6-ARC9
320A, 830V



Similar magnet:
PEPPo
MPT Solenoid



Timeline

Power Supply (ARC6-ARC9):

1. Move to Magnet Lab: February
2. Test and add polarity switch: March
3. Move to GTS: April
4. Ready: July 1, 2016

Magnet (One Coil):

1. Design: February and March
2. Procure: April
3. Map (with and w/o puck), check hysteresis and forces: July
1. Install: August, 2016

All magnet work has to be completed by September 30, 2016.