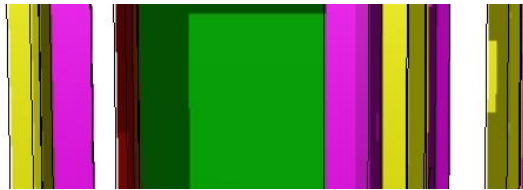
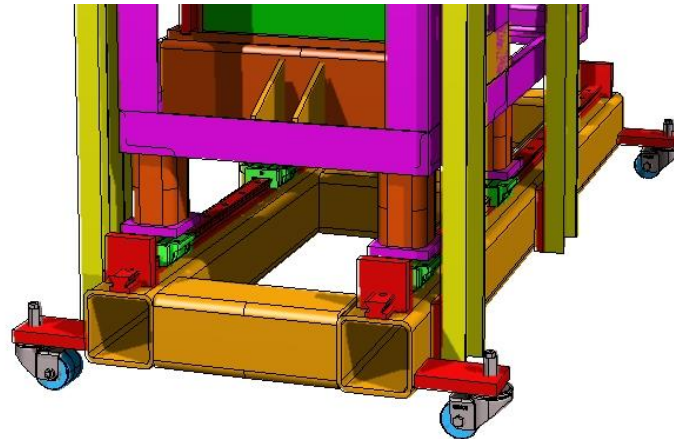


# Neutral Particle Spectrometer Design



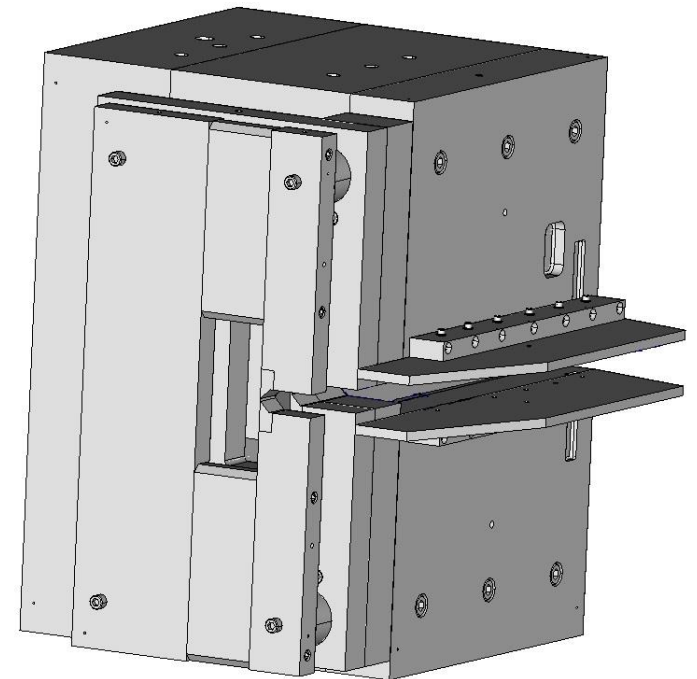
Mike Fowler  
Engineering support, Hall C



Collaboration Meeting, Jan 19, 2017

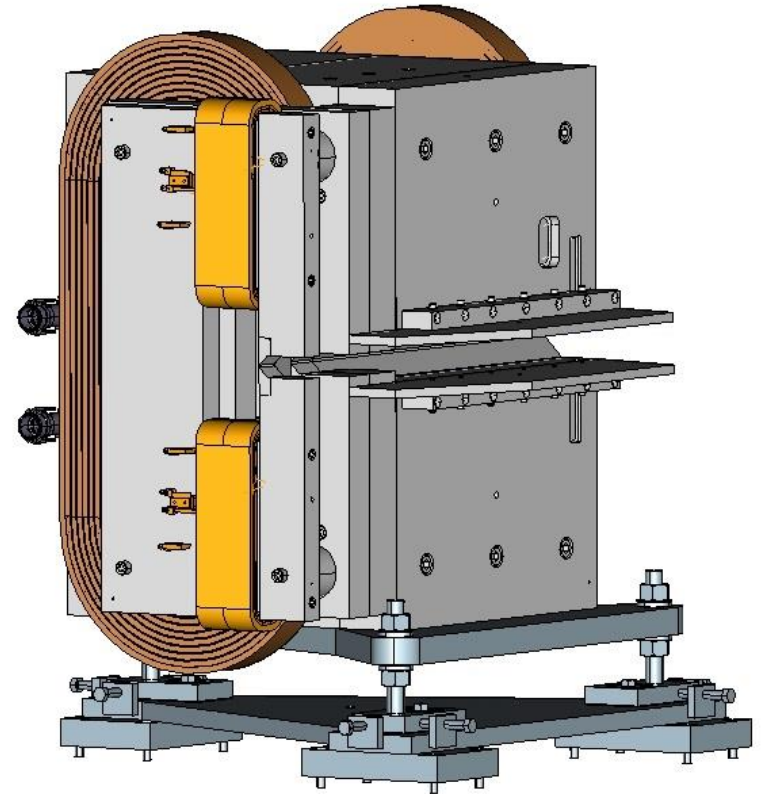
# Yoke Progress

- ✓ Yoke optimized to meet minimum aperture with detector at 3m.
- ✓ Yoke 3d model complete and field analyzed by Bogden.
- ✓ Detail drawings complete.
- ✓ Drawings submitted for bids.
- Vendor selection happening soon.
- Small change to the beam line shield support in progress.



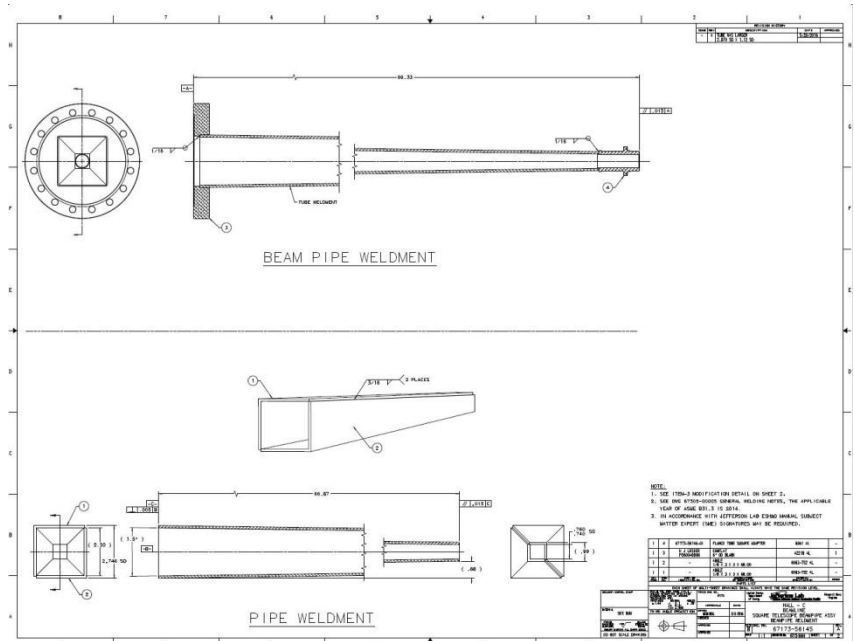
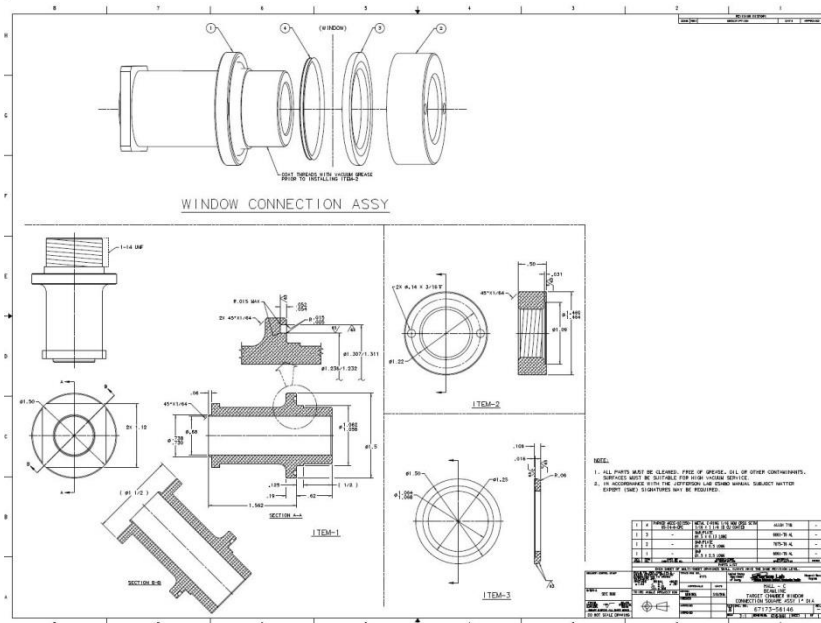
# Coil Progress

- ✓ New coil design 3d models complet
- ✓ Coil detailing complete.
- ✓ Drawings submitted for bids.
- Vendor selection soon.
  - ✓ Main coil contract awarded



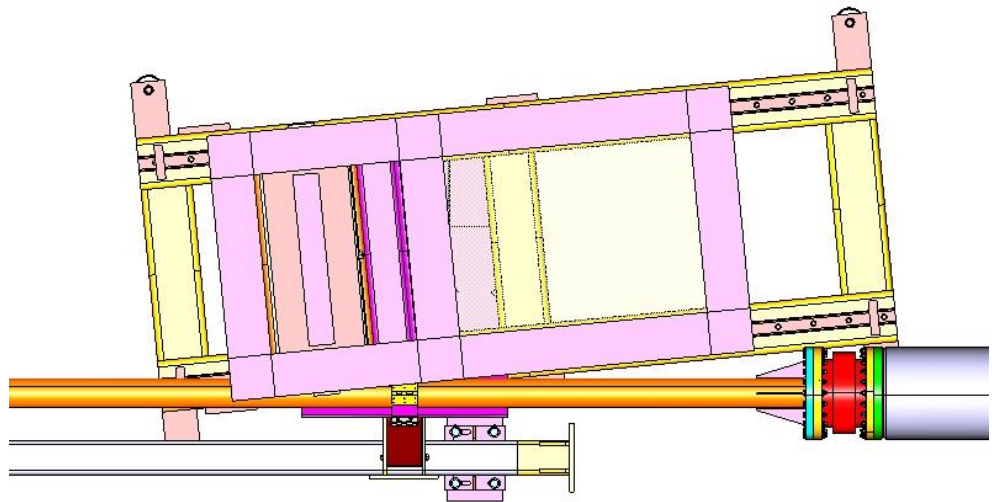
# Beamline Progress

- ✓ New tapered/square beam pipe.
- ✓ Revised connection to the target chamber.



# Detector Frame Progress

- 3d model sent to Carlos/Orsay to look into the engineering, design, and construction of the detector frame and associated cooling.



Position 6 deg. 4 m

# To do

- Solve detector interference with beam line @6 deg.
- Finish detector design.
- Detailed layout with all detector locations and spectrometer combinations.
- Design NPS support platform.
- Layout utility routing, Power, Water, Data.
- Assemble Sweeper and map field.