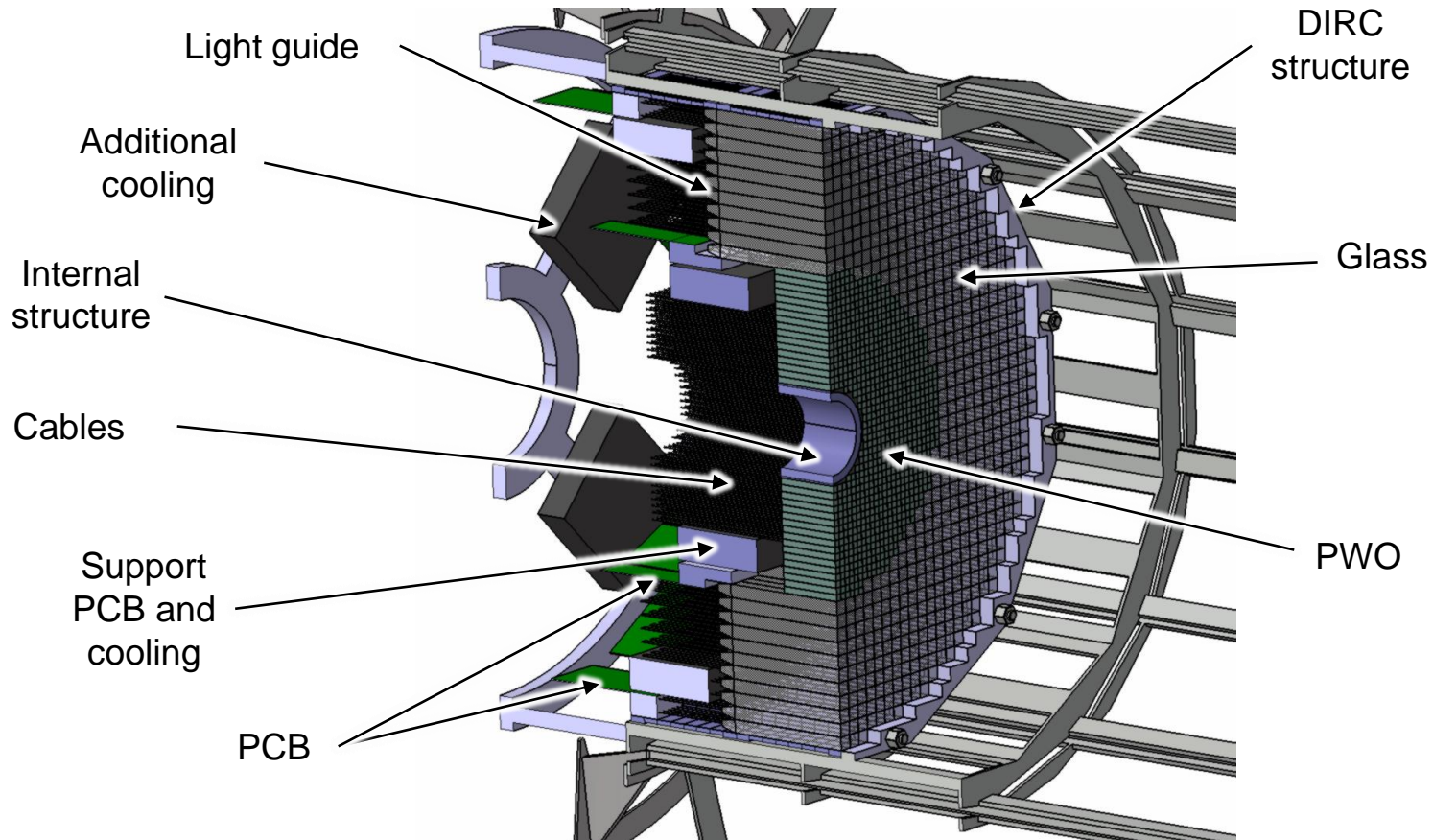
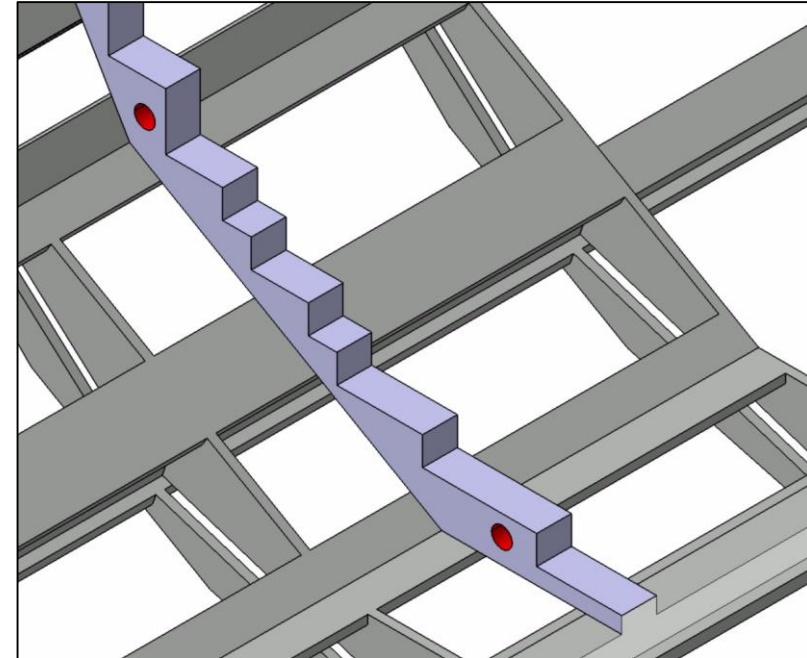
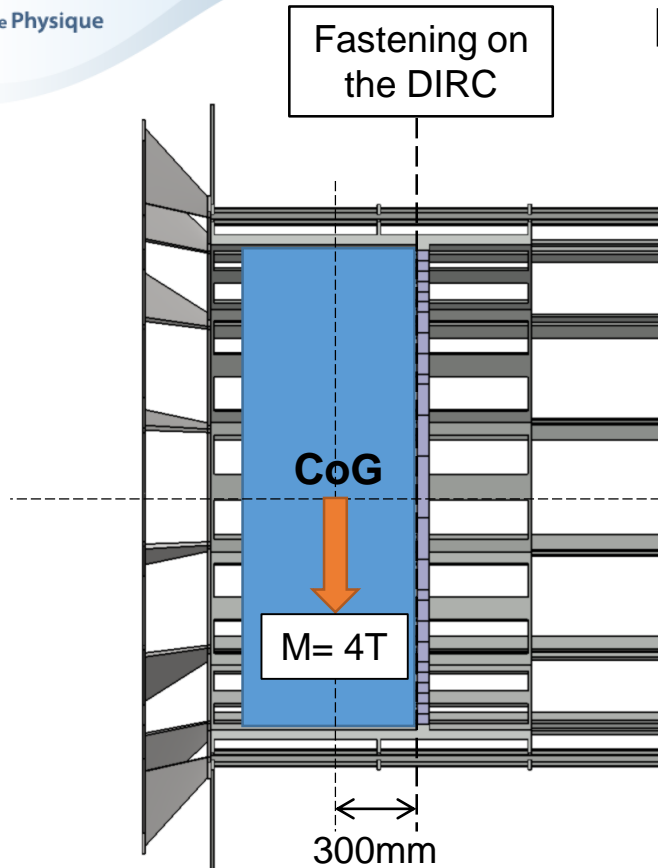


Mechanical design / Cut view



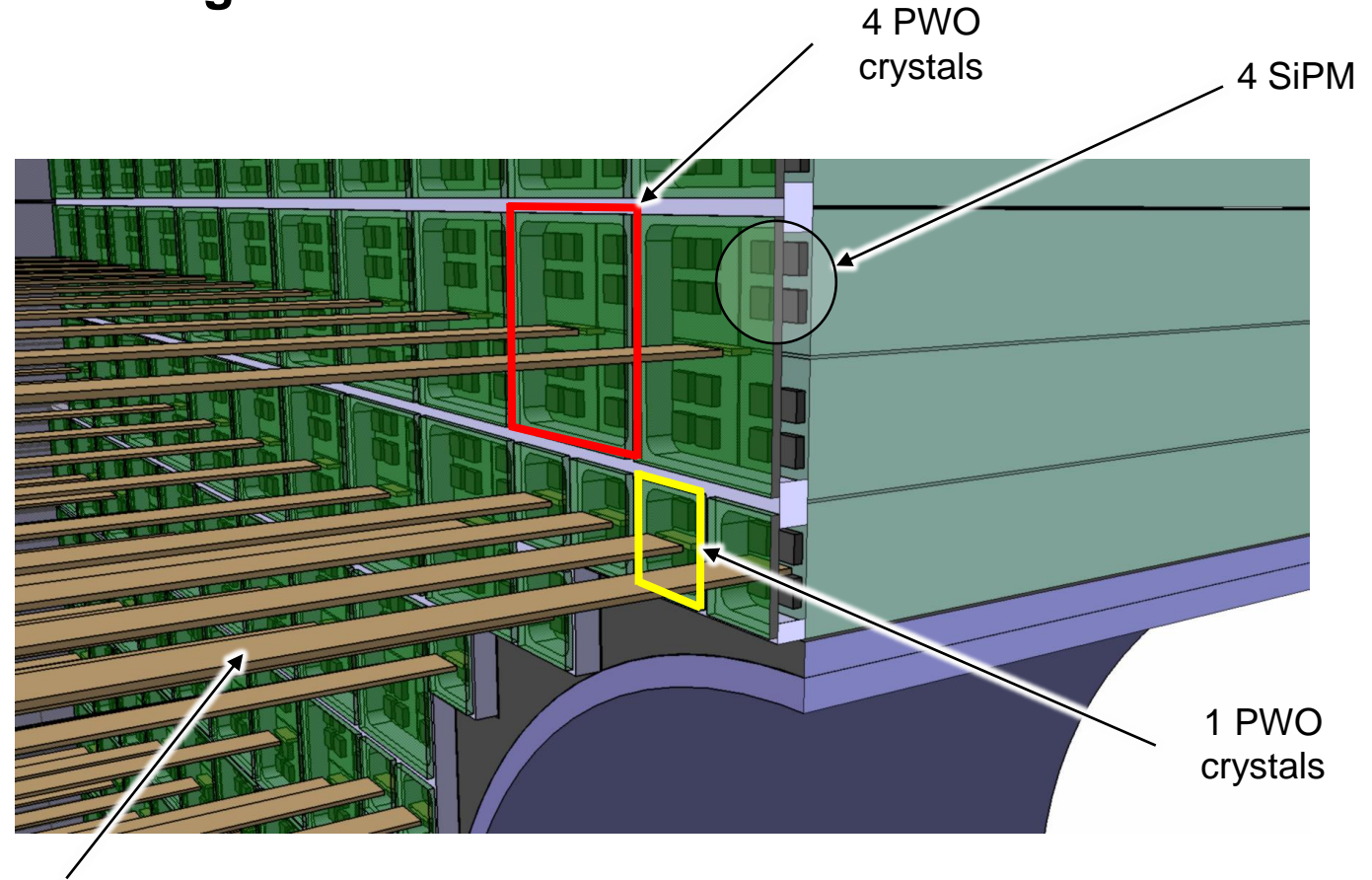
Fastening on the DIRC



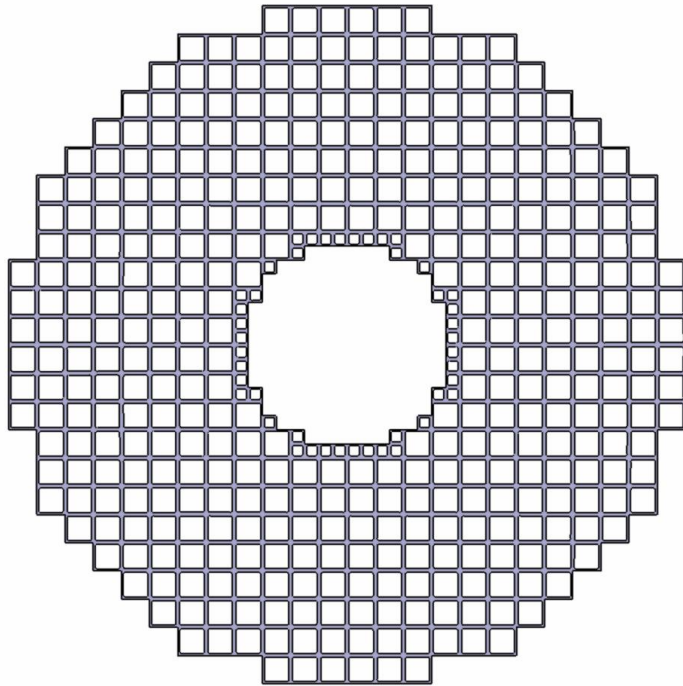
Holes on the structure of the DIRC

Mass and location to sizing the structure of the DIRC

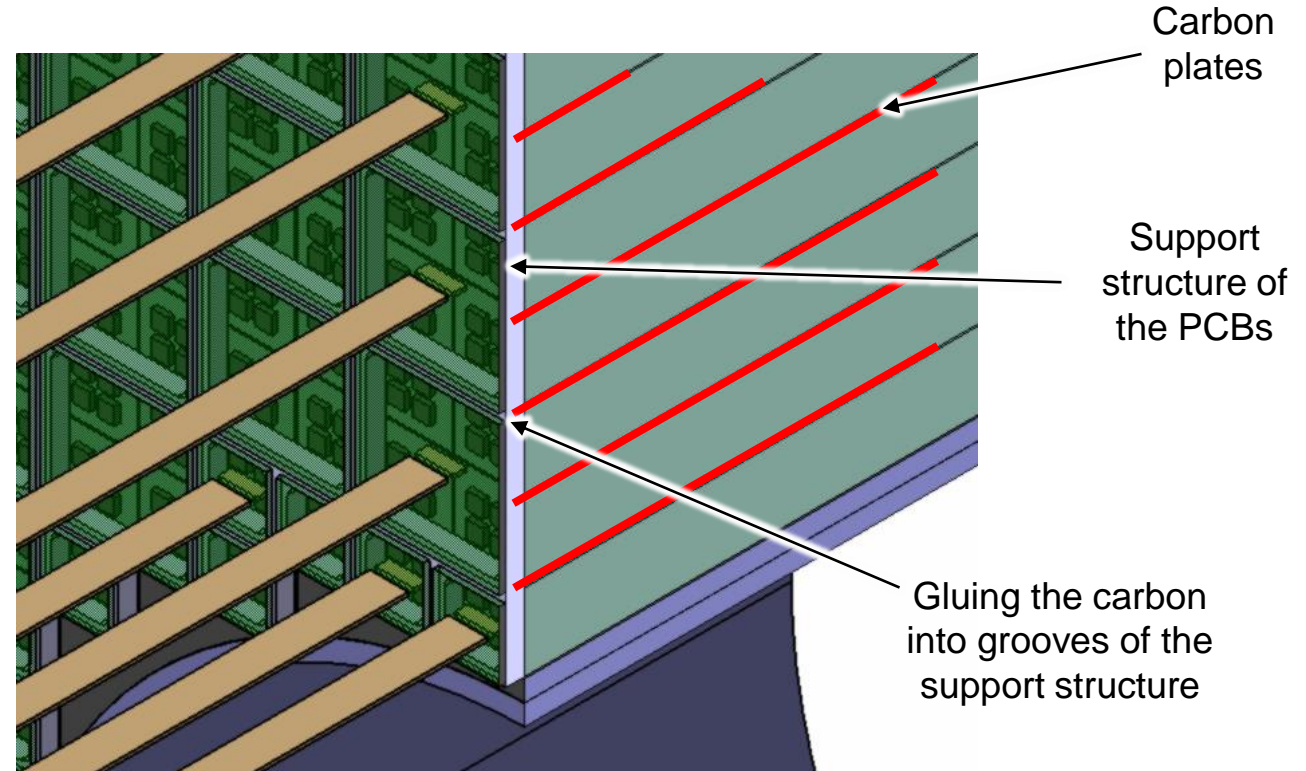
SiPM configuration for the PWO



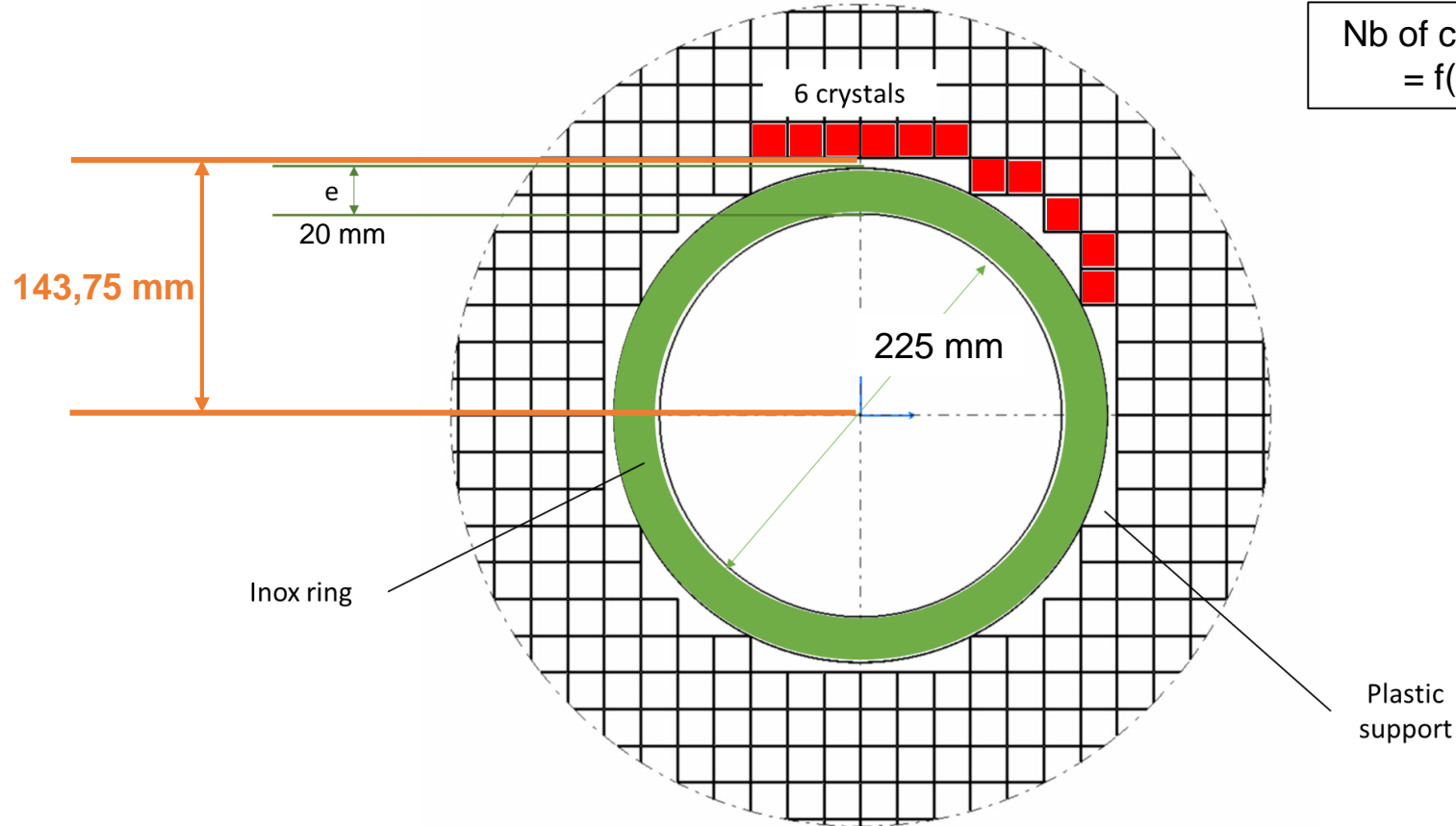
Assembly of the support structure of the PCBs



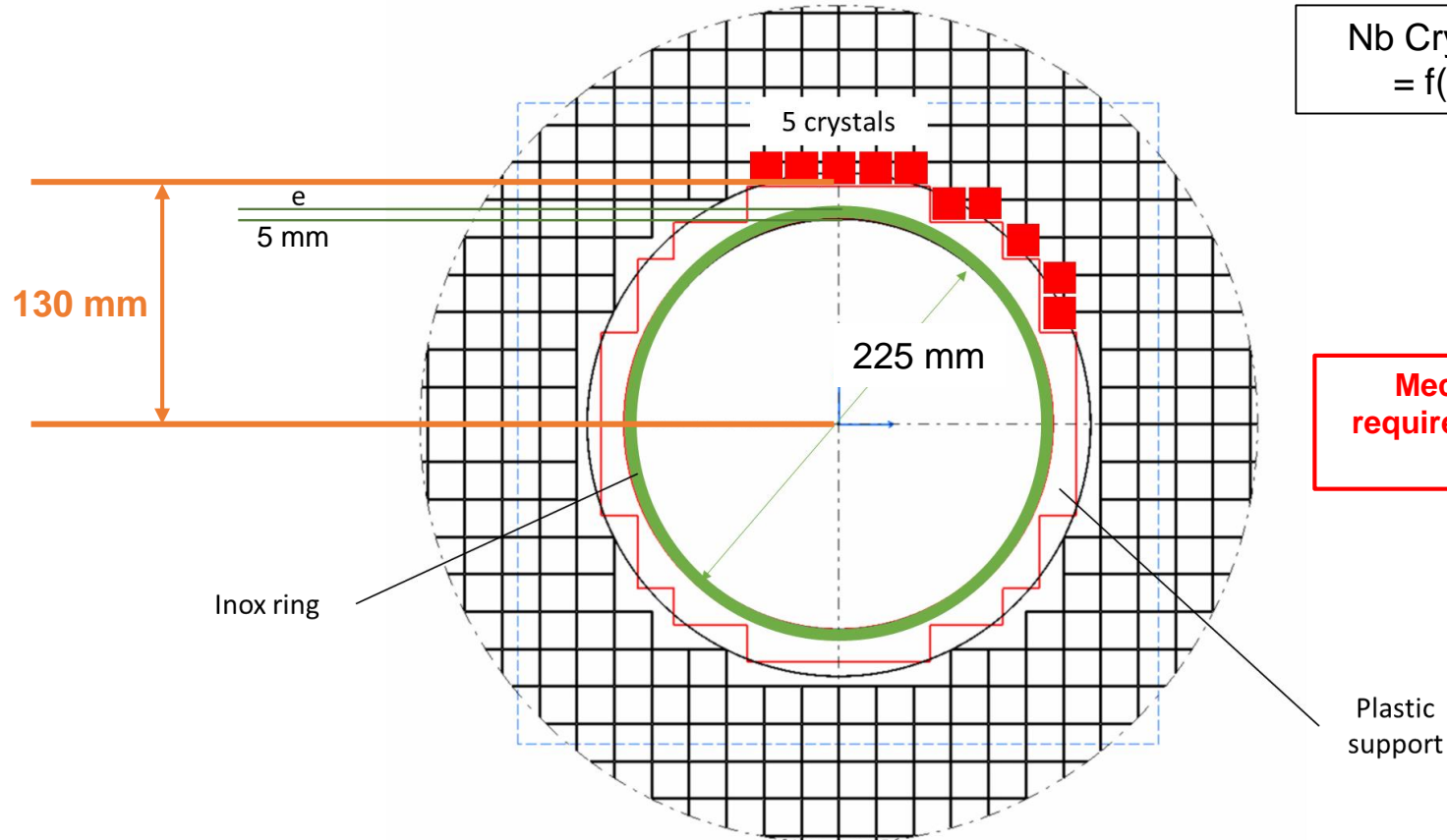
Aluminum support structure



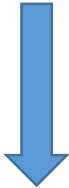
Configuration of the first circle of crystals



Configuration of the first circle of crystals

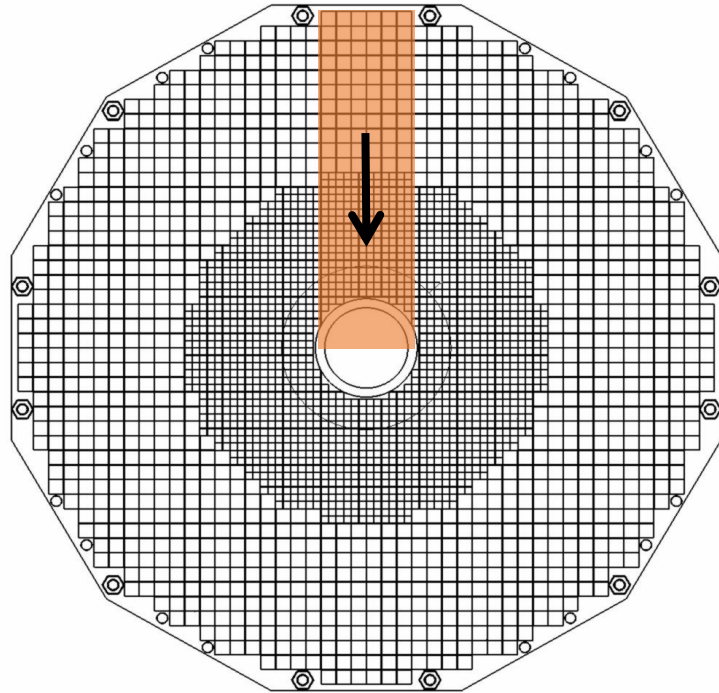


Nb Crystals on the first layer
= $f(\text{inox ring thickness})$

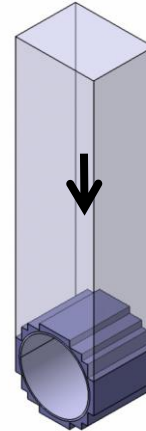


**Mechanical calculation
required to validate the 5mm
thickness**

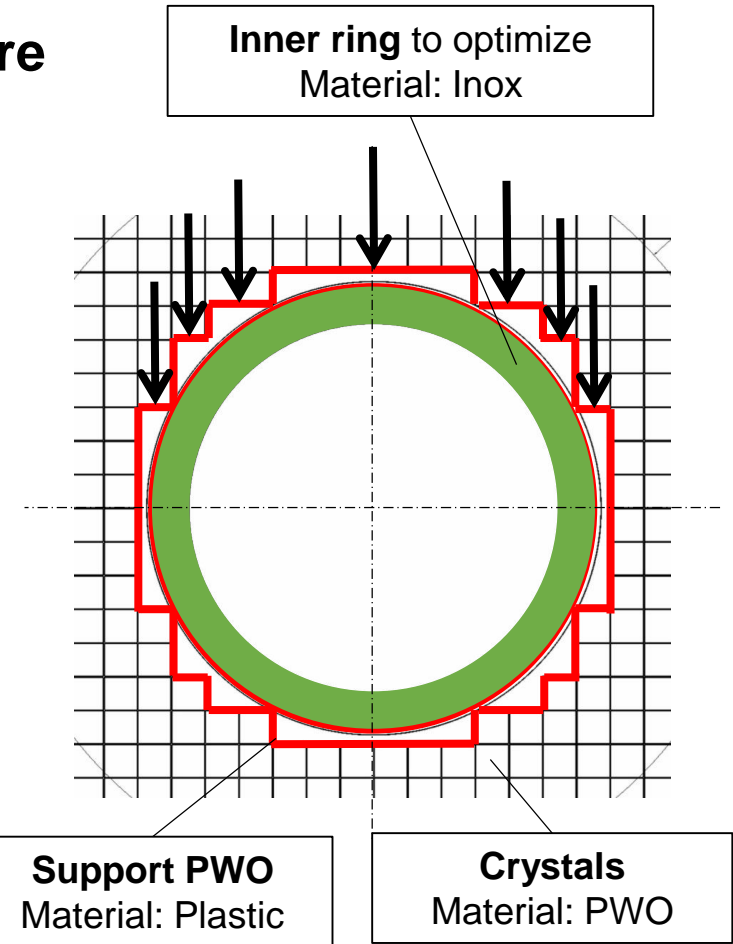
Sizing of the internal structure



Weight to consider for the calculation
 $M = 500 \text{ Kg}$



Equivalent
model

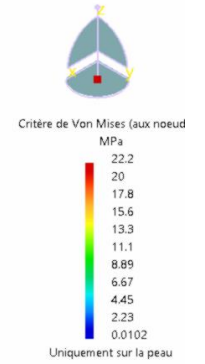
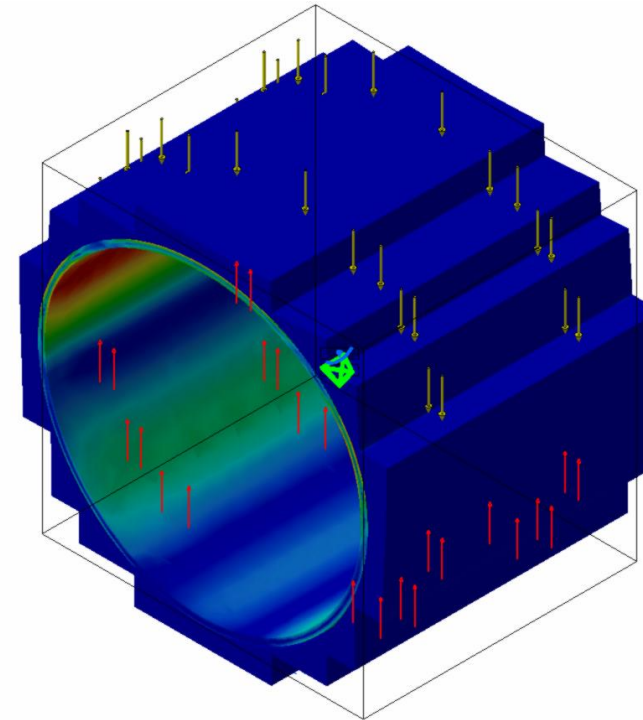
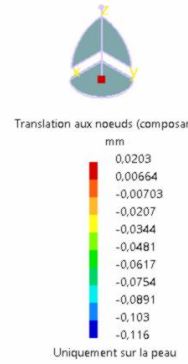
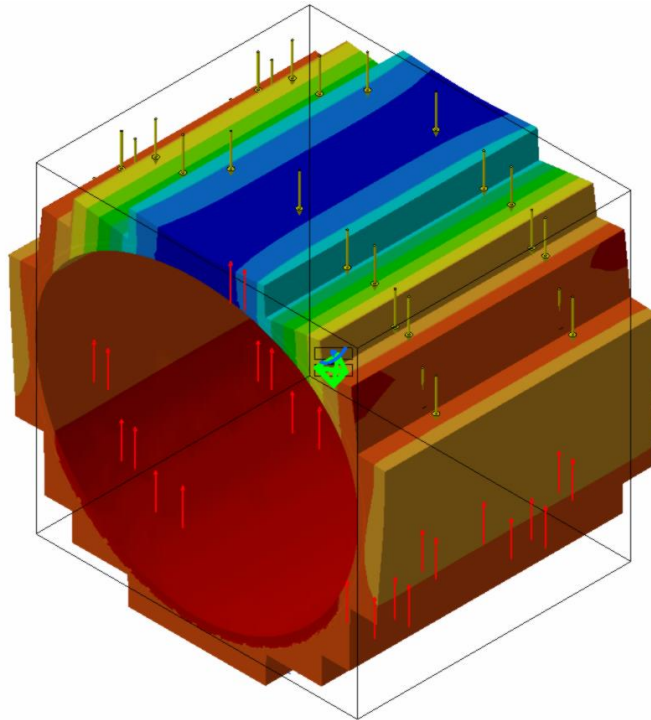


Inner ring to optimize
Material: Inox

Support PWO
Material: Plastic

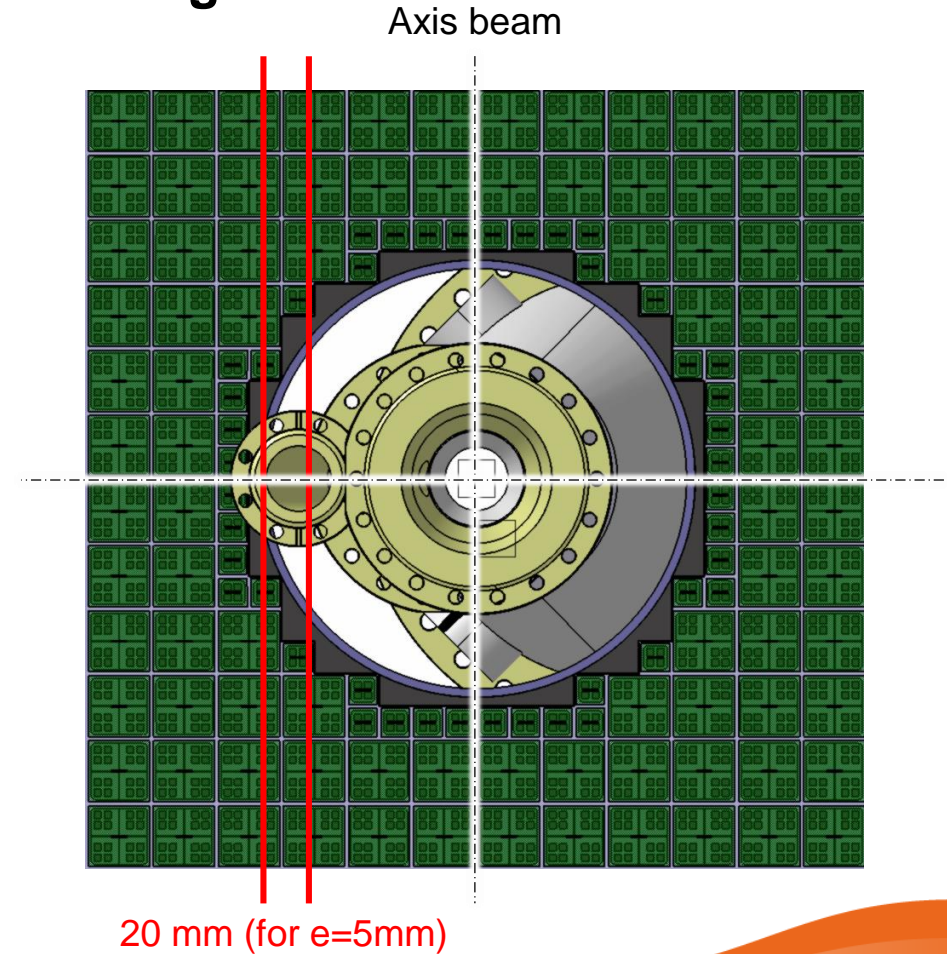
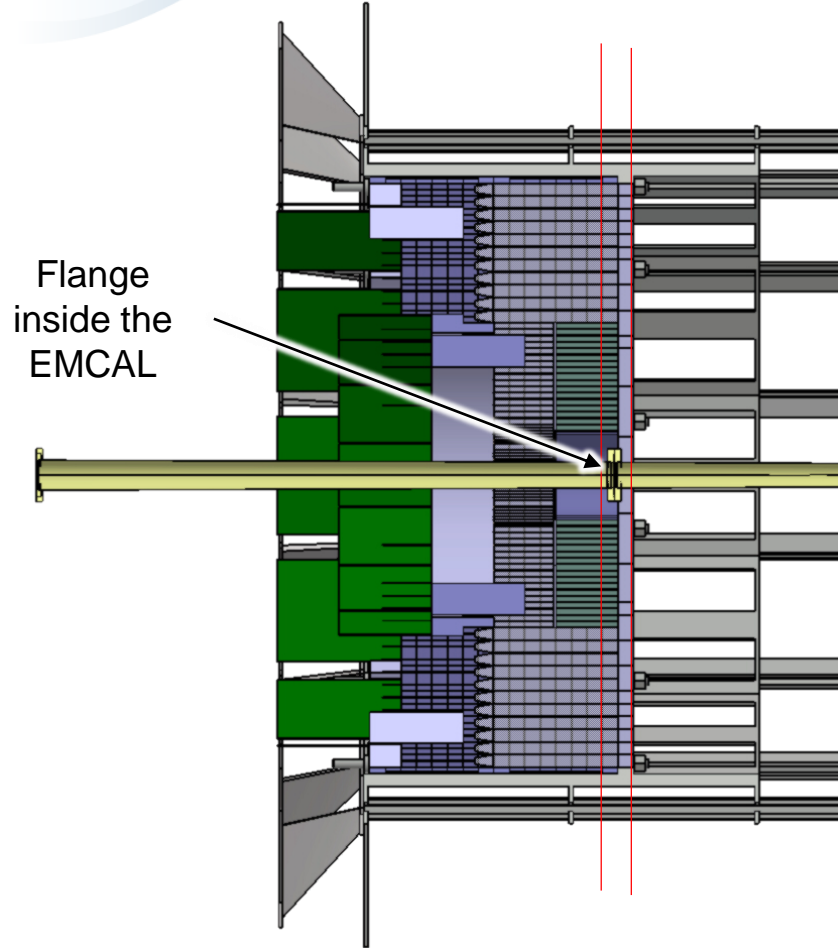
Crystals
Material: PWO

Mechanical calculation for $e=5\text{mm}$



Sizing of the thickness of the internal structure

Beam pipe positioning



Beam pipe positioning

