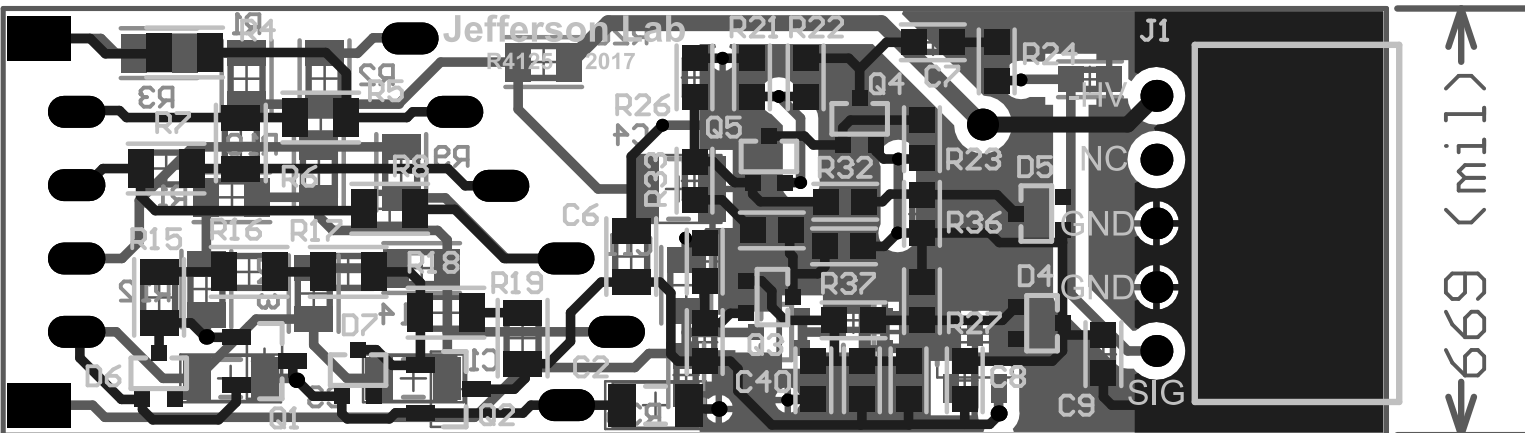
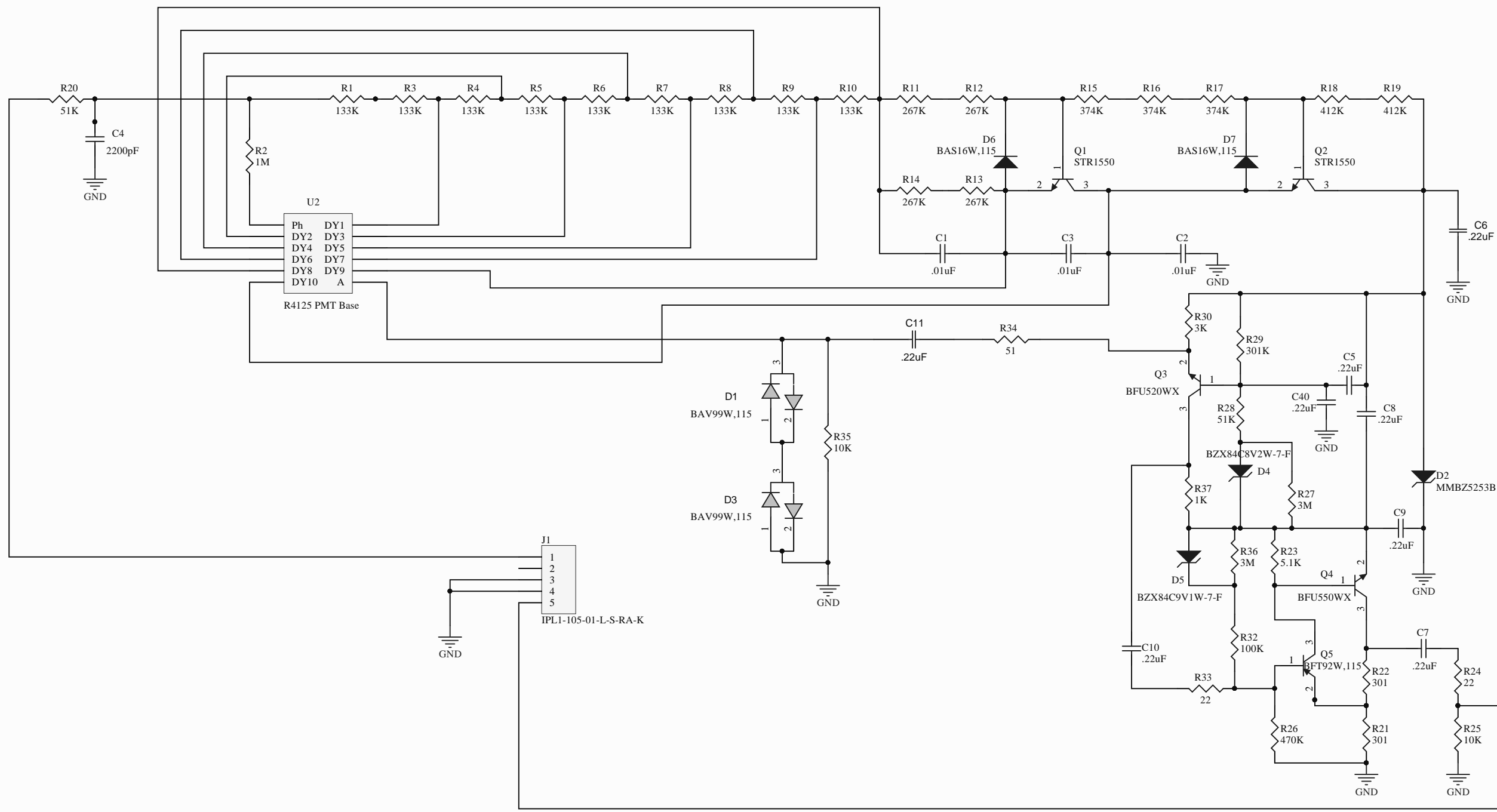



2165 (mil)

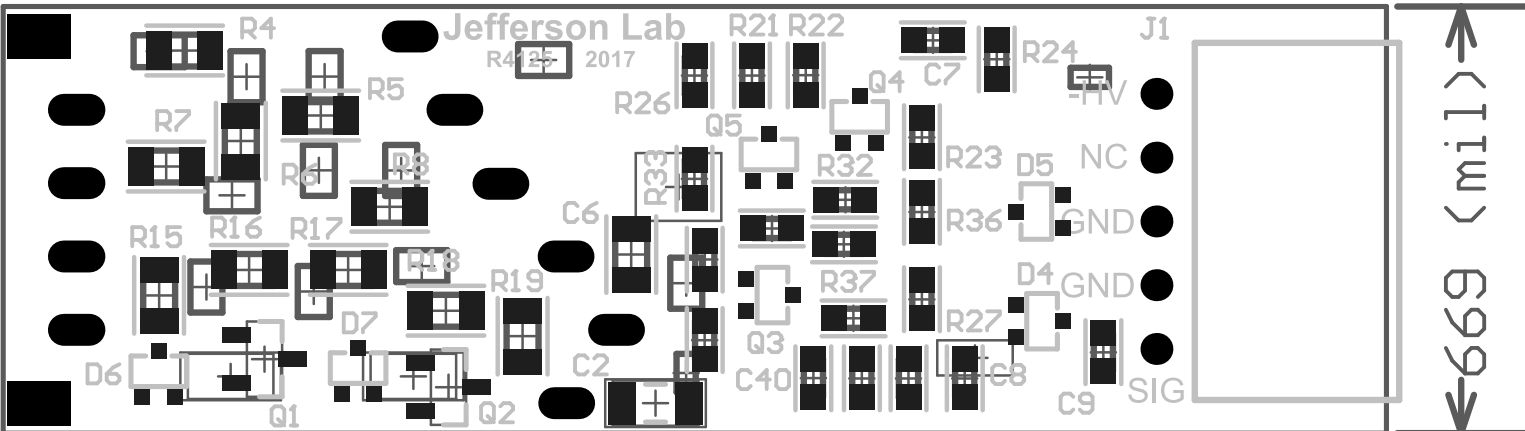


669 (mil)



CONFIDENTIAL INFORMATION				
The information in this document shall not be disclosed, copied nor disseminated unless authorized by the authors.				
Drawn CSS	Date: 2/23/2018	Title Hall D Electronics ComCal 5_16_2017		
Checked	Date:			
Approved		Size: B	Drawing Number:	Revision:
Engineer		File: M:\hall-d-electronics\PCBs\NPS&COMCAL\ComCal\Comcal with 5 pin		Sheet of *

2165 (mil)



2165 (mil)

699 (mil)

- -HV
- NC
- GND
- GND
- SIG

