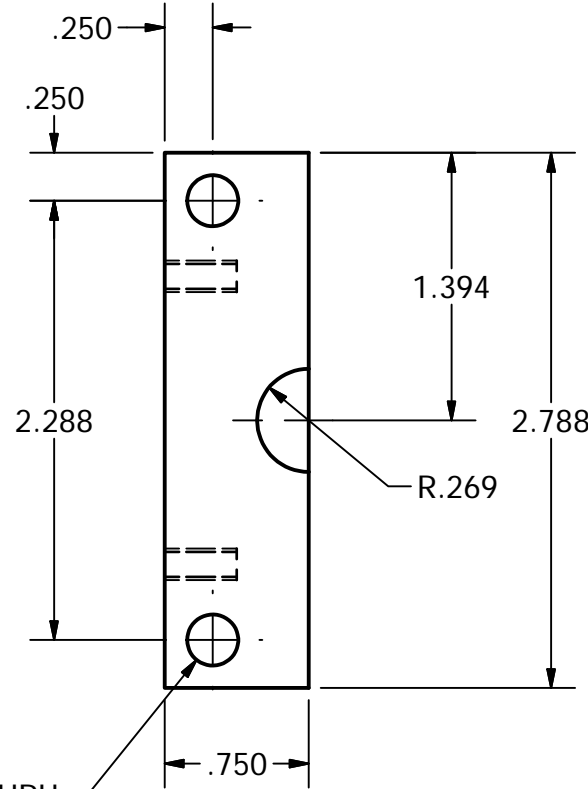
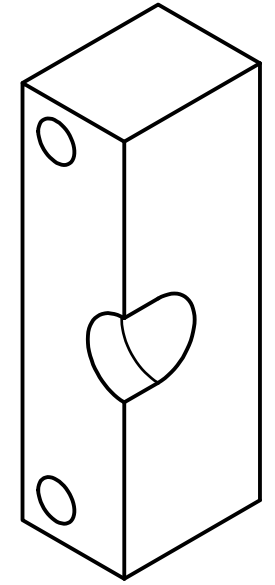
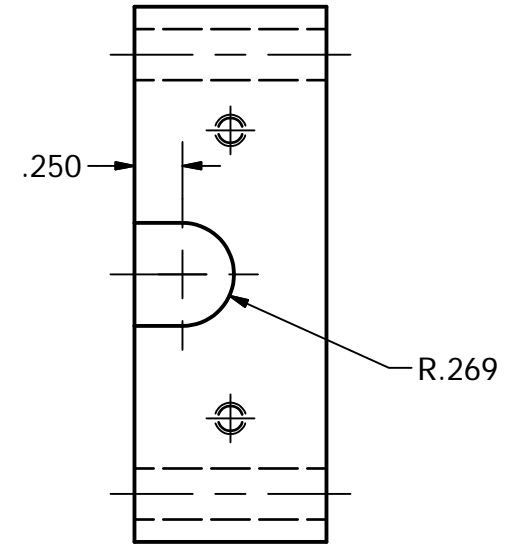
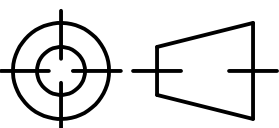


2X 8-32 UNC - 2B



2X \varnothing .266 THRU



DOCUMENT CONTROL STAMP	DIM & TOL PER ASME Y14.5 . UNLESS OTHERWISE SPECIFIED DIMENSIONS ARE IN INCHES TOLERANCES ARE: FRACTIONS DECIMAL ANGLE $\pm 1/64$ $.X \pm 0.1$ $\pm 0.5^\circ$ $.XX \pm 0.01$ $.XXX \pm 0.005$	APPROVALS	DATE	JEFFERSON LAB TARGET GROUP THOMAS JEFFERSON NATIONAL ACCELERATOR FACILITY NEWPORT NEWS VIRGINIA U.S. DEPARTMENT OF ENERGY		
MATERIAL ASTM B209 AL 7075-T651		DRAWN D. Meekins	1/9/2014			
FINISH $32 \sqrt{\text{UNLESS OTHERWISE NOTED}}$ DEBUR AND BREAK ALL SHARP EDGES ACCEPT AS NOTED	THIRD ANGLE PROJECTION	CHECKED		Hall A Tritium Target Target Cell Shipping Cap Half		
Do Not Scale Drawing		APPROVED				
		APPROVED		SIZE B	DWG NO TGT-103-1000-0106	REV A
		APPROVED		SCALE 1:1	ASSY. NO.	SHEET 1 OF 1