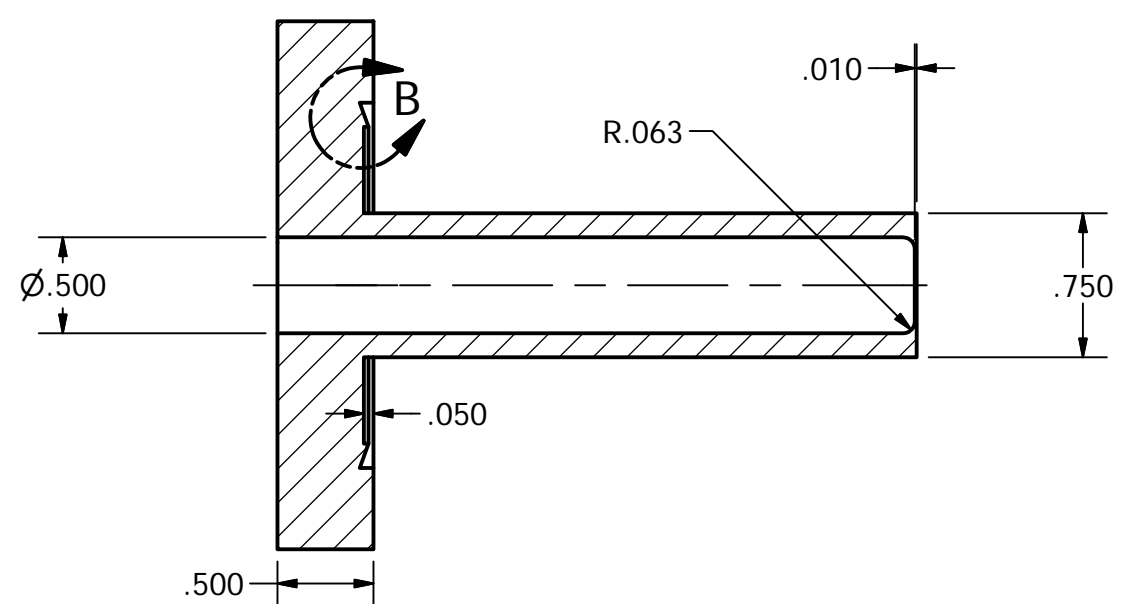
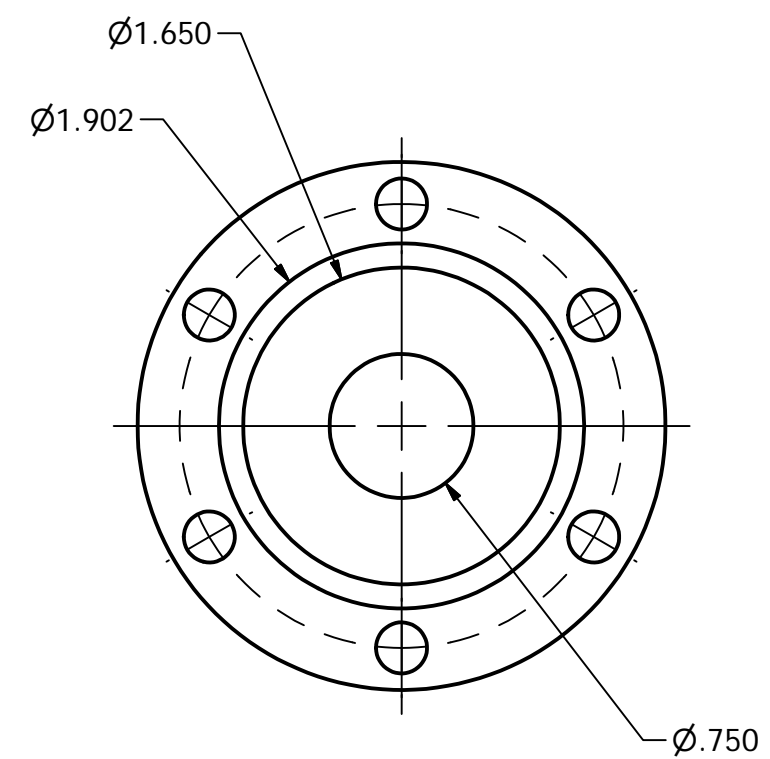
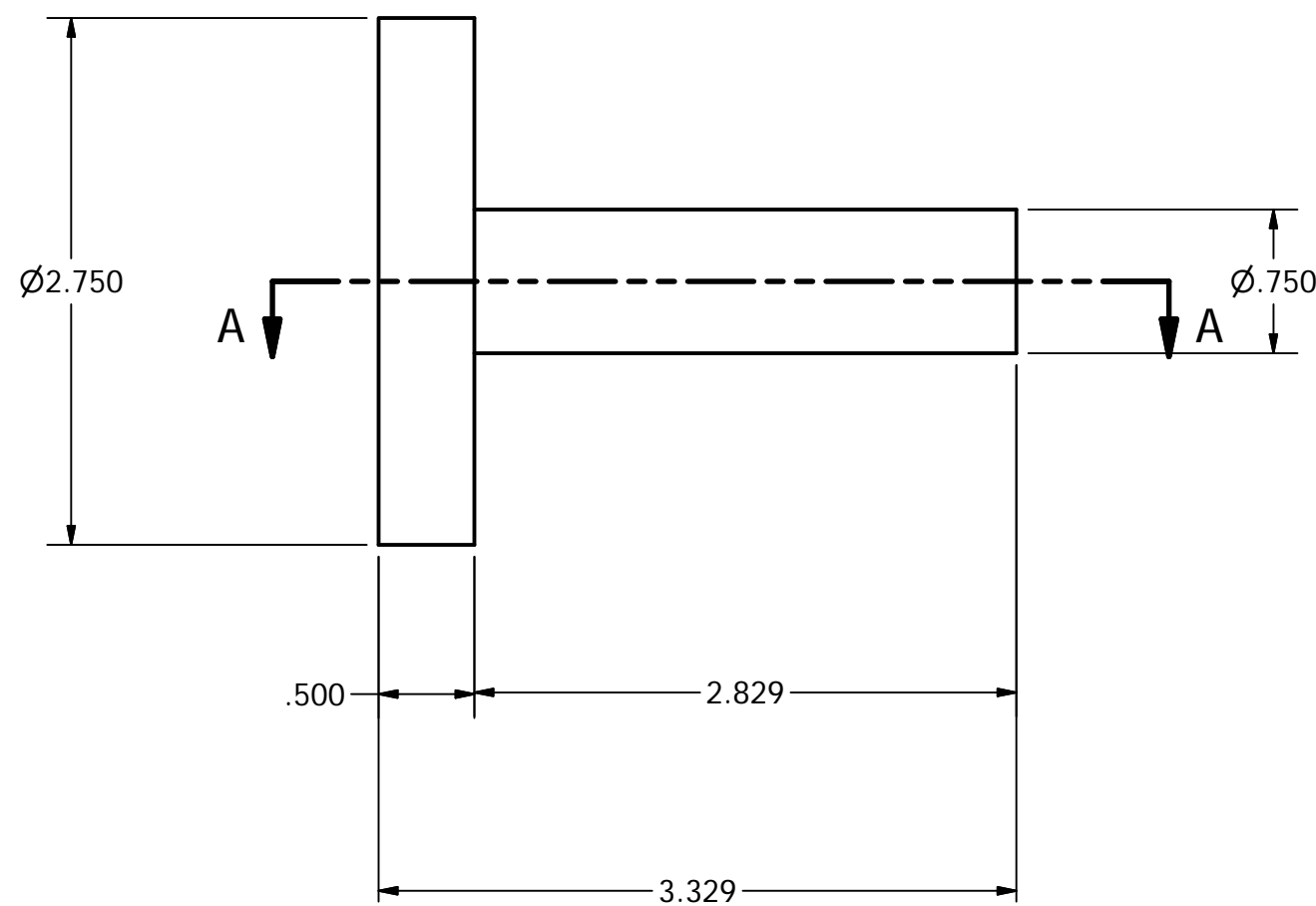
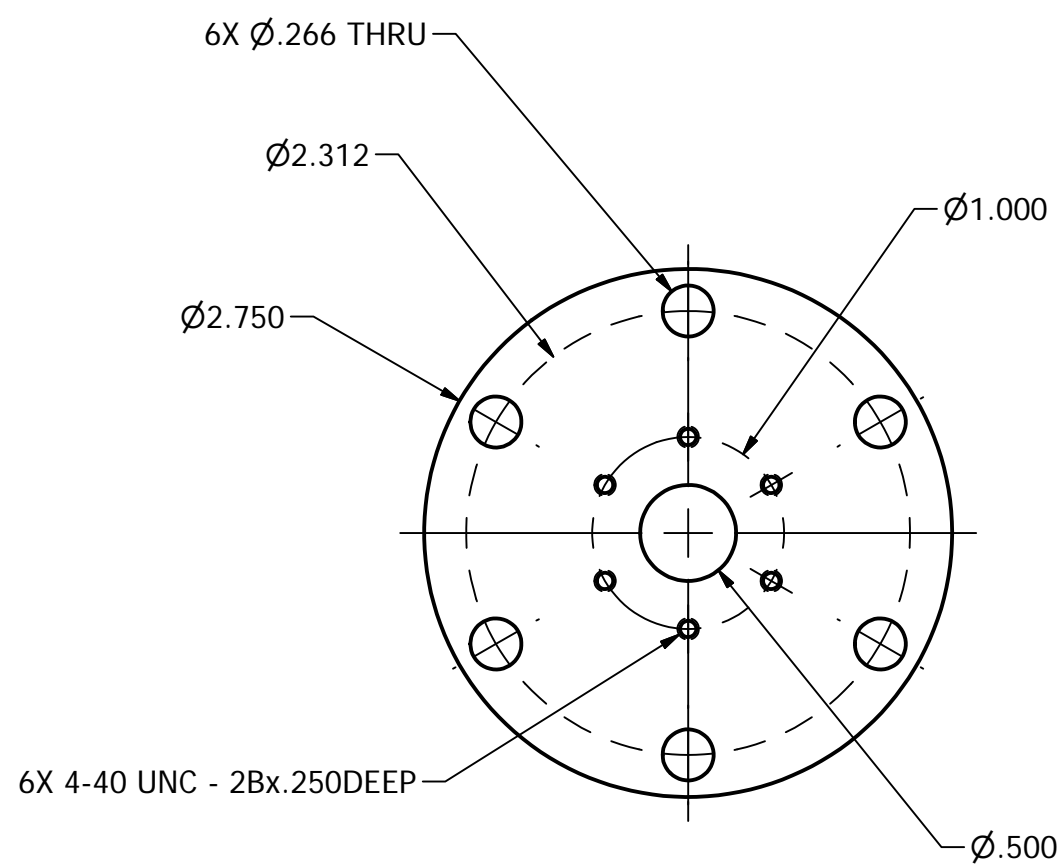
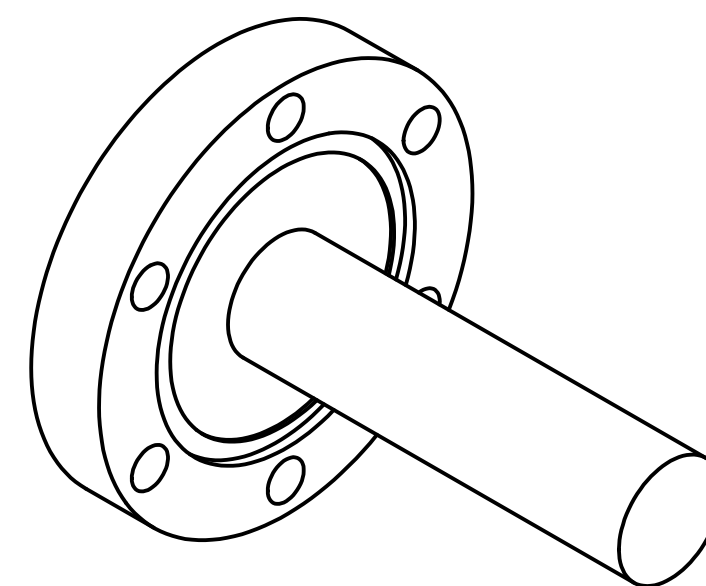


DETAIL B  
SCALE 4 : 1



SECTION A-A  
SCALE 1 : 1



NOTES:

- 1) TO BE MADE FROM ASTM B209 7075-T651 PLATE
- 2) DO NOT DEBURR OR BREAK CF KNIFE EDGE
- 3) CMTR REQUIRED
- 4) PRESSURE SYSTEM NUMBER PS-TGT-12-001

DOCUMENT CONTROL STAMP	DIM & TOL PER ASME Y14.5 UNLESS OTHERWISE SPECIFIED DIMENSIONS ARE IN INCHES TOLERANCES ARE: FRACTIONS ±1/64    DECIMAL .X±0.1    ANGLE ±0.5° .XX±0.01 .XXX±0.005	APPROVALS	DATE	JEFFERSON LAB TARGET GROUP THOMAS JEFFERSON NATIONAL ACCELERATOR FACILITY NEWPORT NEWS VIRGINIA U.S. DEPARTMENT OF ENERGY	
MATERIAL ASTM B209 7075-T651		DRAWN D. Meekins	10/14/2010		
FINISH UNLESS OTHERWISE NOTED 32	THIRD ANGLE PROJECTION	CHECKED		Hall A Tritium Target Cell Entrance Window	
DEBUR AND BREAK ALL SHARP EDGES ACCEPT AS NOTED		APPROVED			
Do Not Scale Drawing		APPROVED		SIZE C	DWG NO TGT-103-1000-0100
		APPROVED		SCALE 1:1	ASSY. NO.
					REV A
					SHEET 1 OF 1