

8

7

6

5

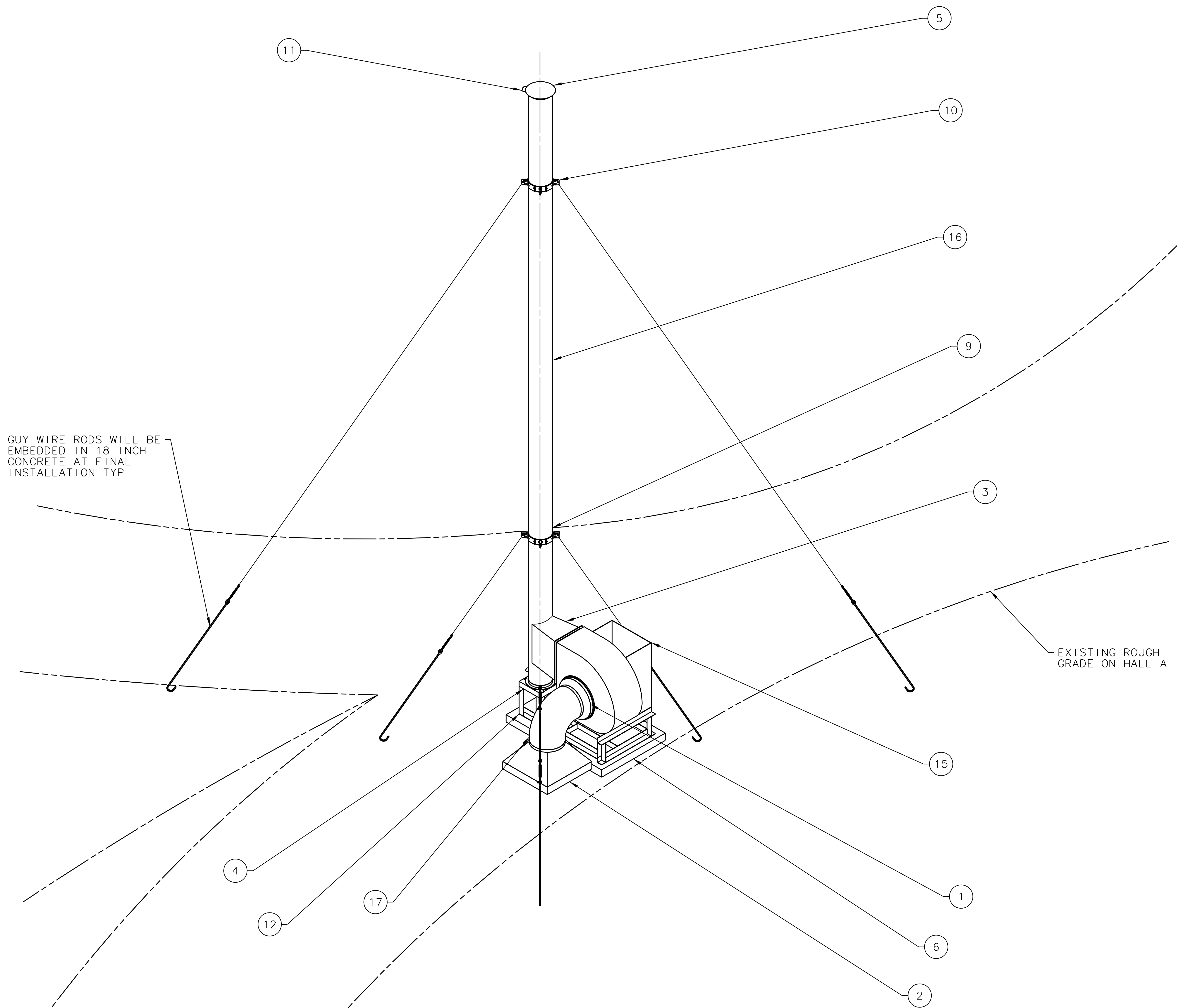
4

3

2

1

REVISION HISTORY				
ZONE	REV	DESCRIPTION	DATE	APPROVED



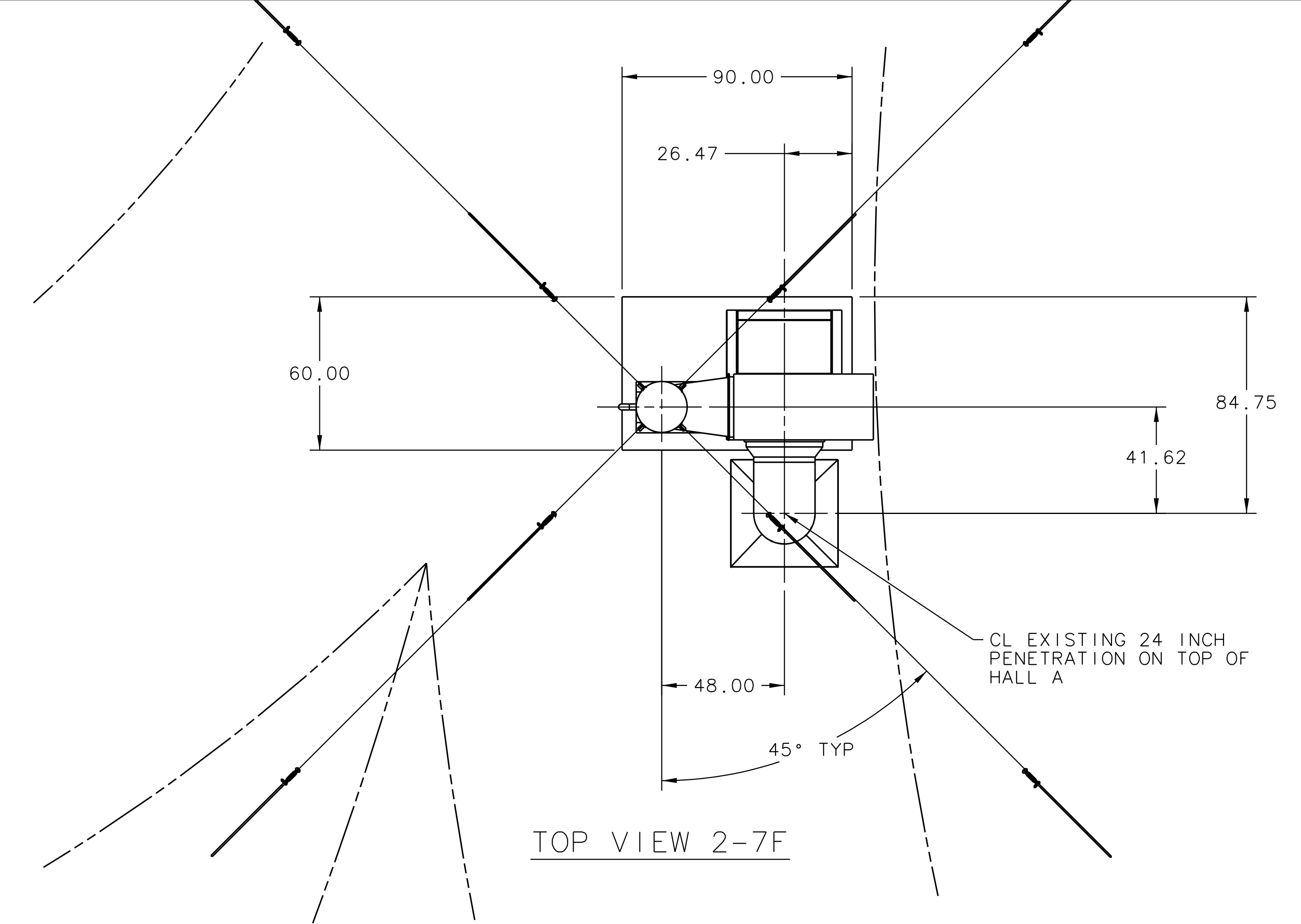
ISO VIEW 1-6B

PRELIMINARY

QTY	ITEM NO.	PART OR IDENTIFYING NO.	DESCRIPTION	MATERIAL	NOTES
1	17	SPIRAL MFG 2-2490 OR EQ	DUCT ELBOW 24 IN	GALVANIZED STEEL	-
1	16	CONTECH 2 2/3 X 1/2 OR EQ	CORRUGATED METAL PIPE 15 DIA	GALVANIZED STEEL	-
1	15	PENN DYNAMO D30	CENTRIFUGAL EXHAUST FAN 12000 CFM	COMPOSITE	-
-	14	-	-	-	-
-	13	-	-	-	-
1	12	A11112-14-01-1500	FRAME WELDMENT	STEEL	-
1	11	A11112-14-01-1400	TARGET VENT LINE 2 INCH	STAINLESS STEEL	-
1	10	A11112-14-01-1100	TOP GUY WIRE COLLAR SUBASSY	COMPOSITE	-
1	9	A11112-14-01-1000	GUY WIRE COLLAR SUBASSY	COMPOSITE	-
-	8	-	-	-	-
-	7	-	-	-	-
1	6	A11112-14-01-0806	CONCRETE SLAB	CONCRETE	-
1	5	A11112-14-01-0805	RAIN CAP	GALVANIZED STEEL	-
1	4	A11112-14-01-0804	BASE FOR METAL PIPE	STEEL	-
1	3	A11112-14-01-0803	EXHAUST PIPE CONNECTION	GALVANIZED STEEL	-
1	2	A11112-14-01-0802	ROOF OPENING CONNECTION	GALVANIZED STEEL	-
1	1	A11112-14-01-0801	CONCENTRIC REDUCER 30 X 24	GALVANIZED STEEL	-

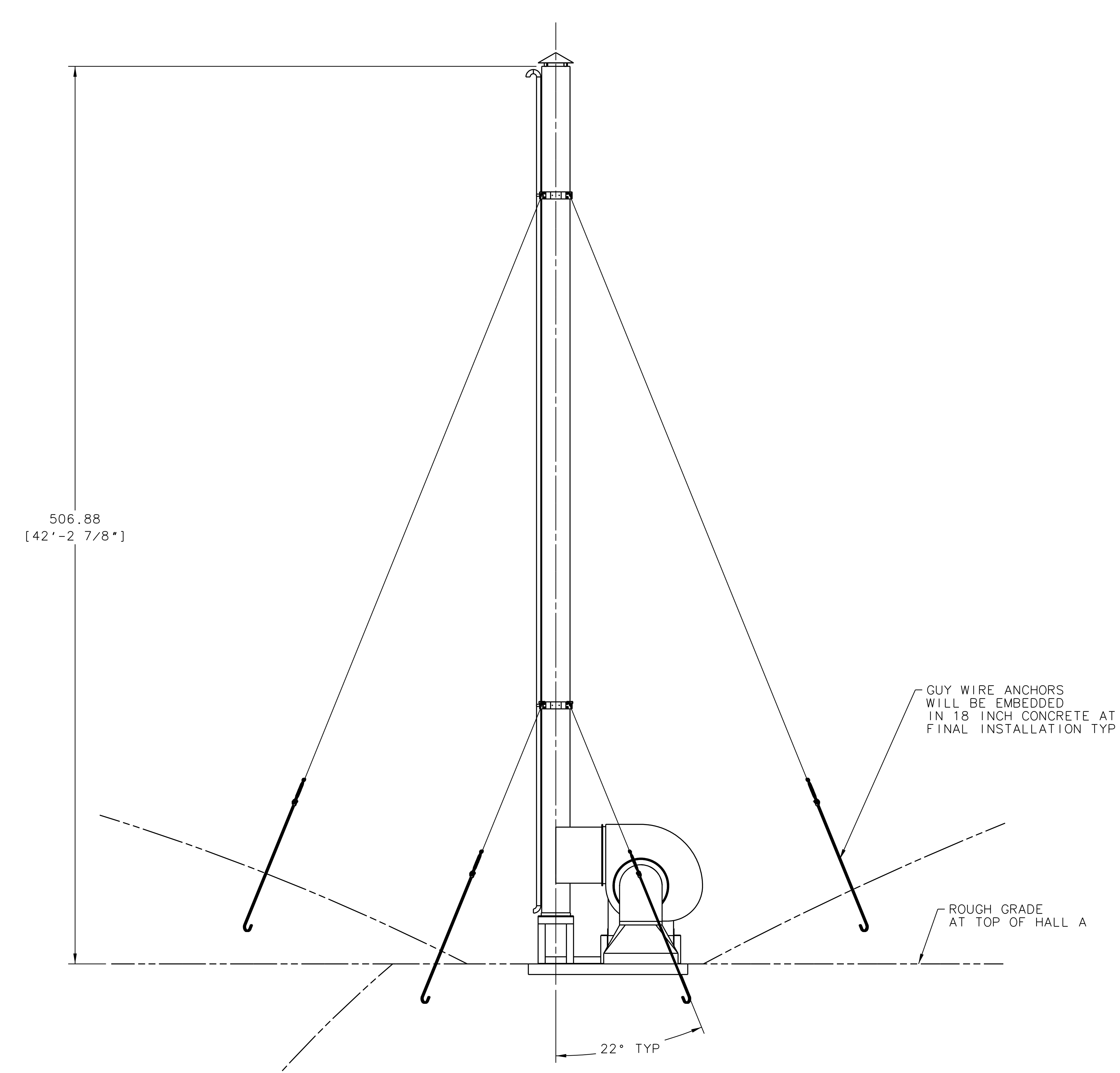
DOCUMENT CONTROL STAMP	DIM & TOL PER ASME Y14.5 UNLESS OTHERWISE SPECIFIED DIMENSIONS ARE IN INCHES FRACTIONS DECIMAL ANGLES ± N/A X ± .1 ± .50° XX ± .01 ± .005	TRACKING NO. N/A	United States Department of Energy
MATERIAL SEE PARTS LIST	THIRD ANGLE PROJECTION	APPROVALS DATE	Jefferson Lab ORNL - Jefferson National Accelerator Facility Newport News Virginia
FINISH MACHINED SURFACES DEBURR & BREAK ALL SHARP EDGES	UNLESS OTHERWISE NOTED	DRAWN: J. MILLER 17JUL14	HALL A - EXP11112 SRC CIVIL - TRITIUM EXHAUST TRITIUM EXHAUST ASSY OUTSIDE HALL LARGE VENT SUBASSY
DO NOT SCALE DRAWING		APPROVED	SCALE 1:32 (SEE DWG. NO. A11112-14-01-0800) SHEET 1 OF 2

8 7 6 5 4 3 2 1

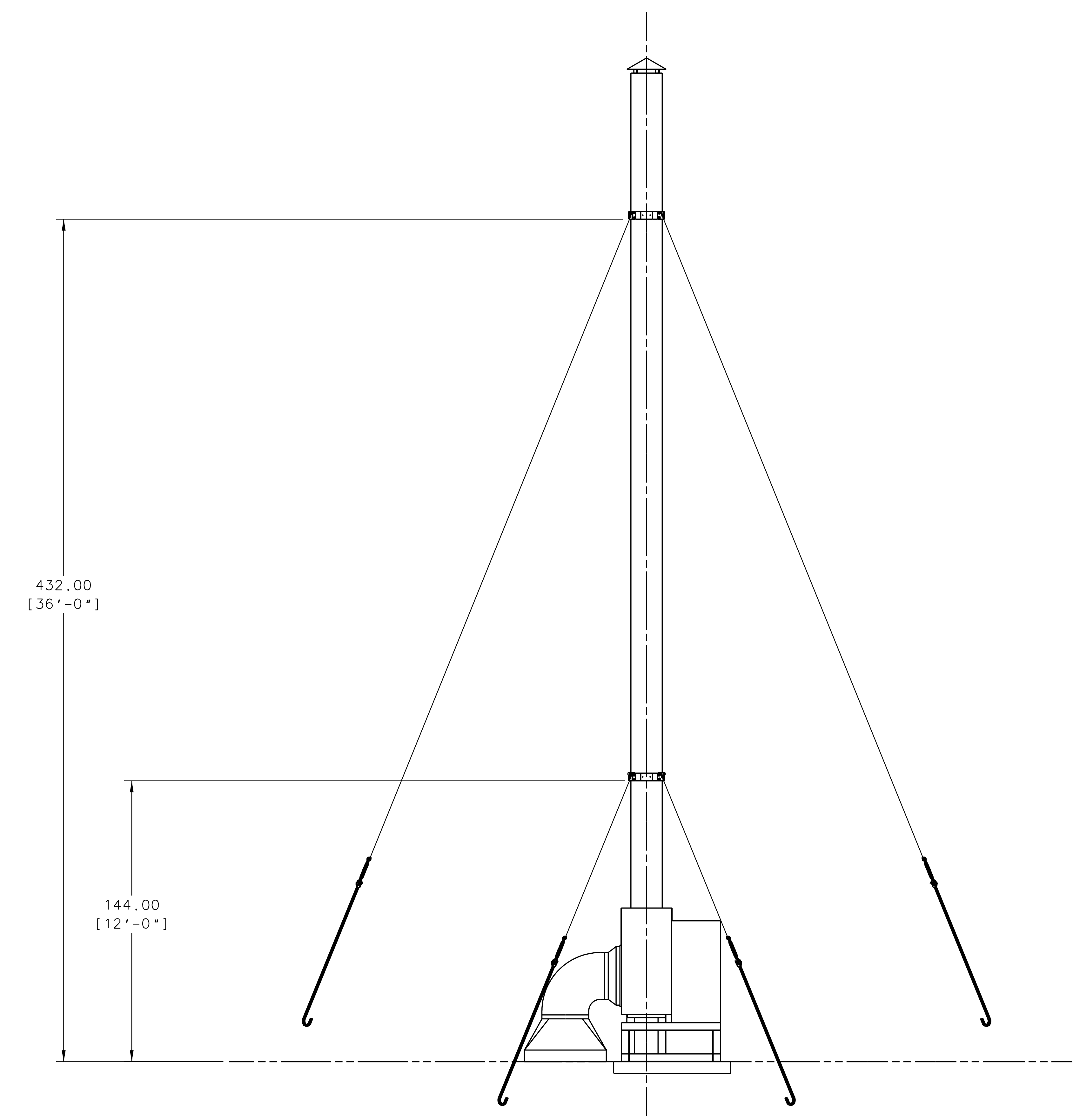


TOP VIEW 2-7F

PRELIMINARY



FRONT VIEW 2-7A



RT SIDE VIEW 2-3A

DOCUMENT CONTROL STAMP	SIZE (DWG. NO.)	REV.
	E A11112-14-01-0800	-
	SCALE 1:32 (SEE DWG. NO. A11112-14-01-0000)	SHEET 2 OF 2

8 7 6 5 4 3 2 1