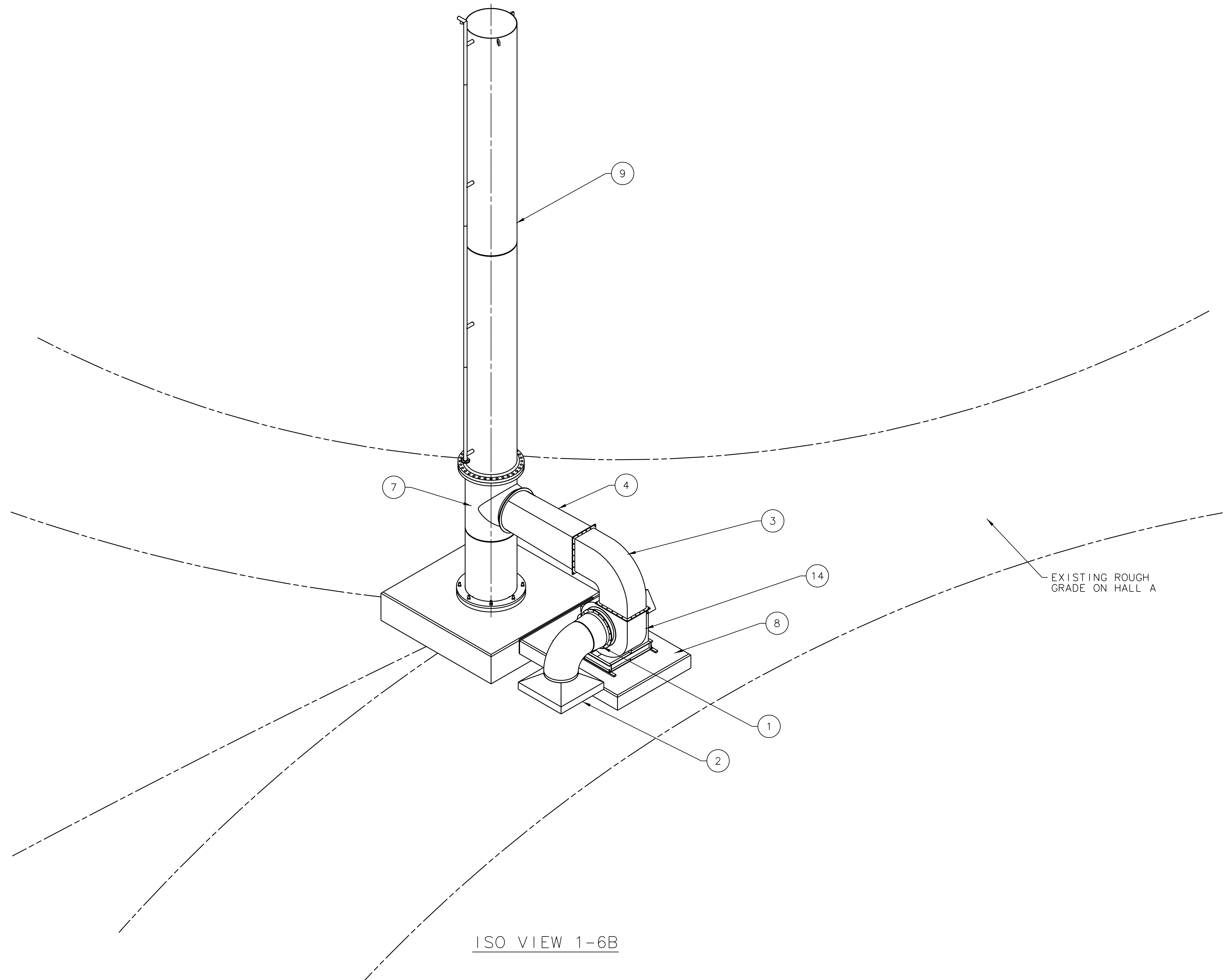


REVISION HISTORY				
ZONE	REV	DESCRIPTION	DATE	APPROVED



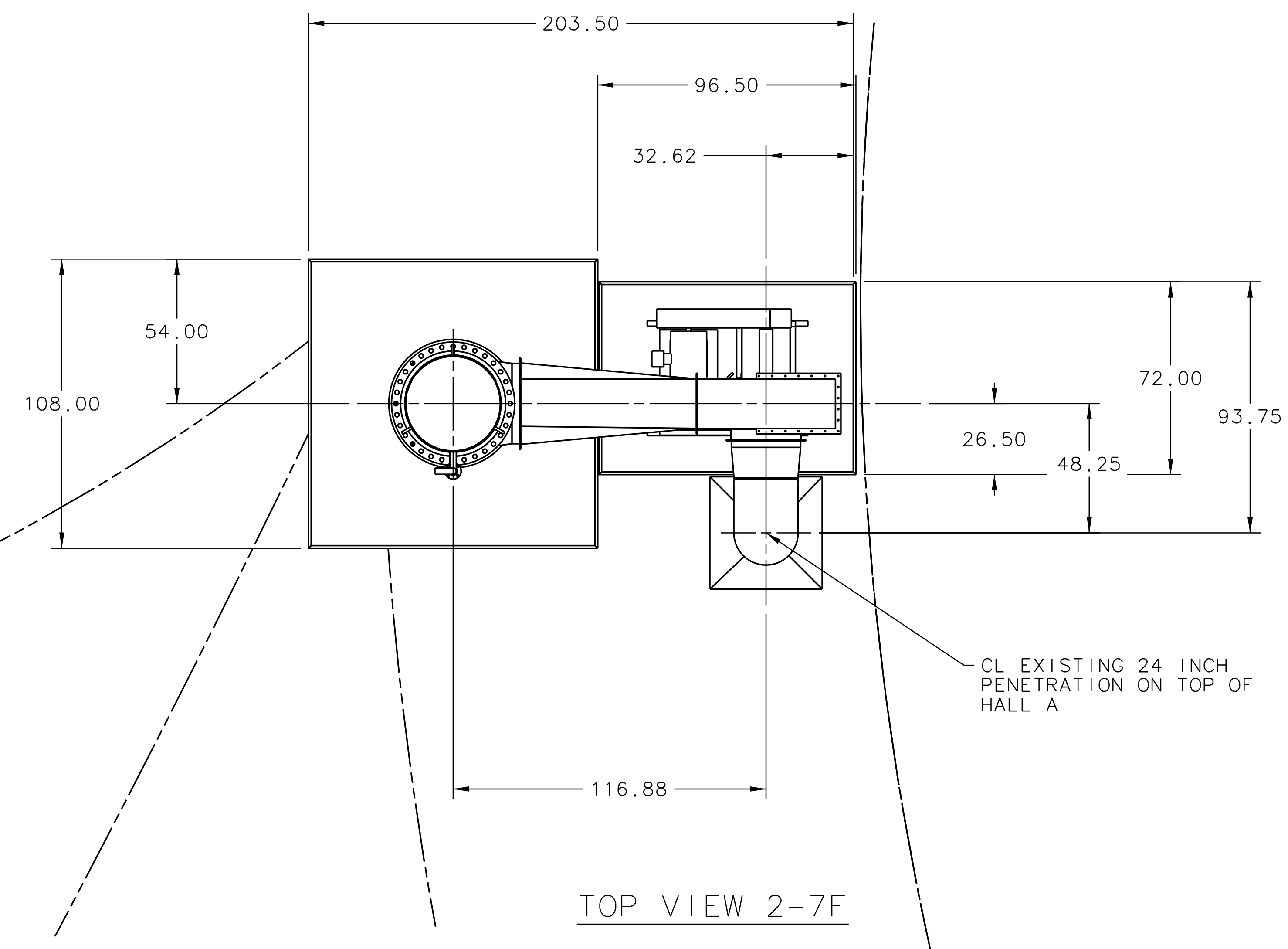
ISO VIEW 1-6B

EXISTING ROUGH GRADE ON HALL A

QTY	ITEM NO.	PART OR IDENTIFYING NO.	DESCRIPTION	MATERIAL	NOTES
1	15	SPIRAL MFG 2-2490 OR EQ	DUCT ELBOW 24 IN	GALVANIZED STEEL	-
1	14	FAN EQUIPMENT 2016-72	BACKWARD CURVE BLOWER 12000 CFM	COMPOSITE	-
-	13	-	-	-	-
-	12	-	-	-	-
-	11	-	-	-	-
-	10	-	-	-	-
1	9	A11112-14-01-2000	TOP PIPE WELDMENT	STAINLESS STEEL	-
1	8	A11112-14-01-1800	CONCRETE SLAB ASSY	COMPOSITE	-
1	7	A11112-14-01-1700	BASE PIPE WELDMENT	STAINLESS STEEL	-
-	6	-	-	-	-
-	5	-	-	-	-
1	4	A11112-14-01-0804	RECT DUCT BASE PIPE CONN	GALVANIZED STEEL	-
1	3	A11112-14-01-0803	RECTANGULAR DUCT ELBOW	GALVANIZED STEEL	-
1	2	A11112-14-01-0802	ROOF OPENING CONNECTION	GALVANIZED STEEL	-
1	1	A11112-14-01-0801	CONCENTRIC REDUCER 30 X 24	GALVANIZED STEEL	-

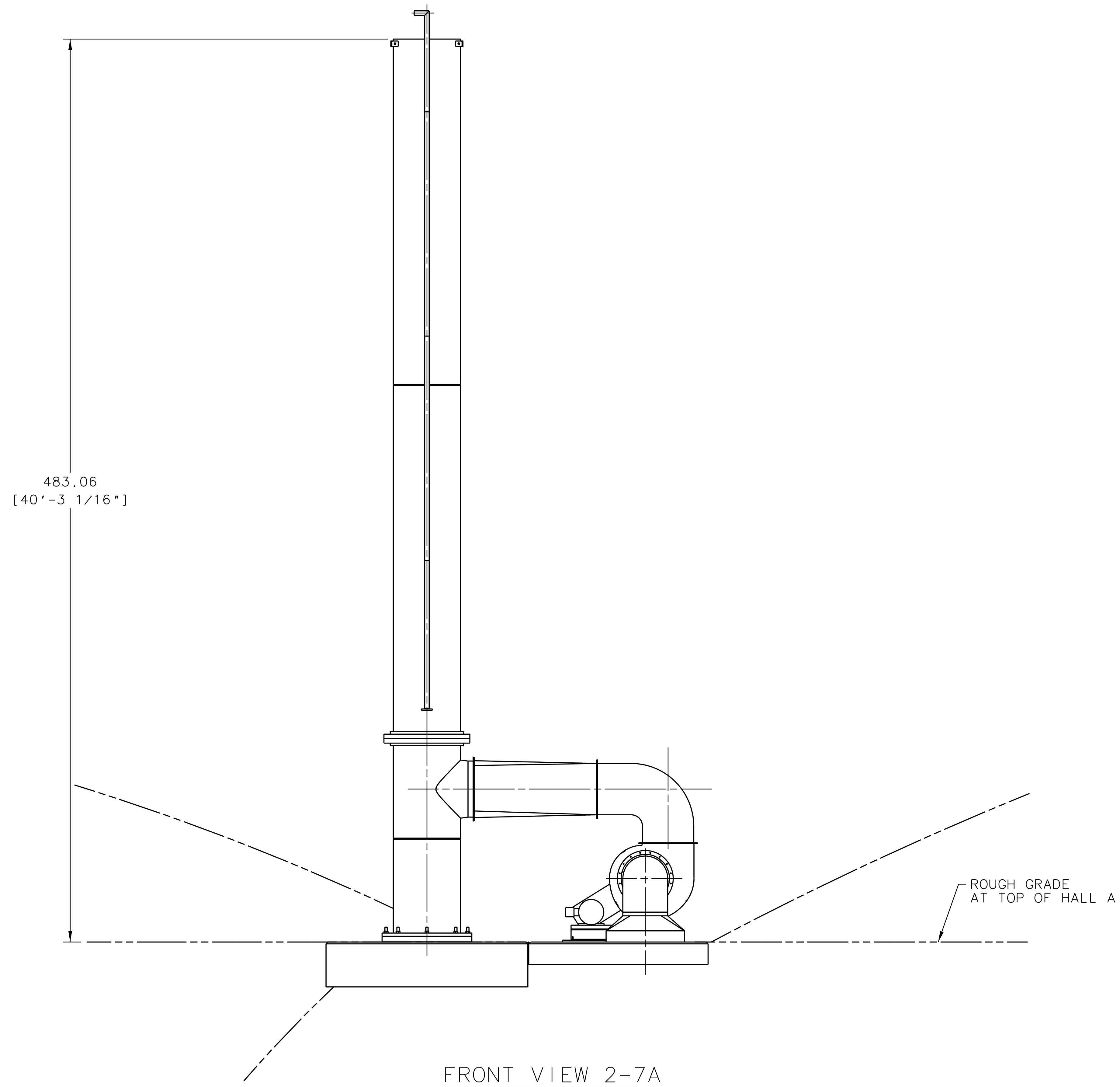
DOCUMENT CONTROL STAMP	DIM & TOL PER ASME Y14.5 UNLESS OTHERWISE SPECIFIED DIMENSIONS ARE IN INCHES TOLERANCES ARE FRACTIONS DECIMAL ANGLES ± N/A .X ± .1 ± .50° .XX ± .01 ± .005	TRACKING NO. N/A	United States Department of Energy Jefferson Lab Jefferson National Accelerator Facility Newport News Virginia
MATERIAL SEE PARTS LIST	THIRD ANGLE PROJECTION	APPROVALS DATE J. MILLER 17JUL14	HALL A - EXP11112 SRC CIVIL - TRITIUM EXHAUST TRITIUM EXHAUST ASSY OUTSIDE HALL LARGE VENT SUBASSY
FINISH MACHINED SURFACES DEBURR & BREAK ALL SHARP EDGES UNLESS OTHERWISE NOTED		APPROVED APPROVED	SCALE 1:32 (SEE OR ASSY NO. A11112-14-01-0000) SHEET 1 OF 2

IN ACCORDANCE WITH THE JEFFERSON LAB ESH&Q MANUAL SUBJECT MATTER EXPERT (SME) SIGNATURES MAY BE REQUIRED.

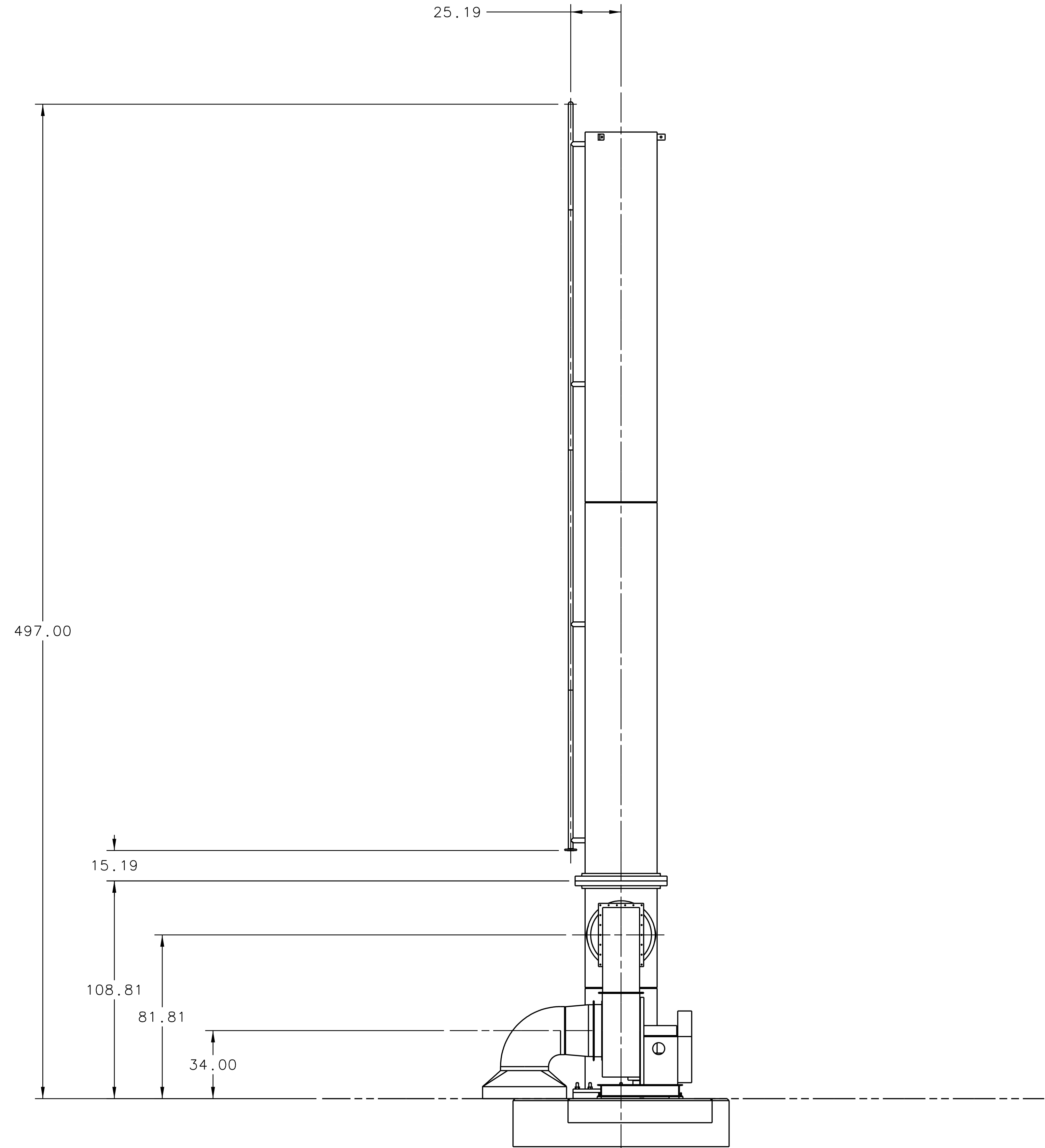


TOP VIEW 2-7F

CL. EXISTING 24 INCH
PENETRATION ON TOP OF
HALL A



FRONT VIEW 2-7A



RT SIDE VIEW 2-3A

DOCUMENT CONTROL STAMP	SIZE DWG. NO.	REV.
E	A11112-14-01-0800	-
SCALE	1:32	(SEE DWG. NO. A11112-14-01-0000) SHEET 2 OF 2