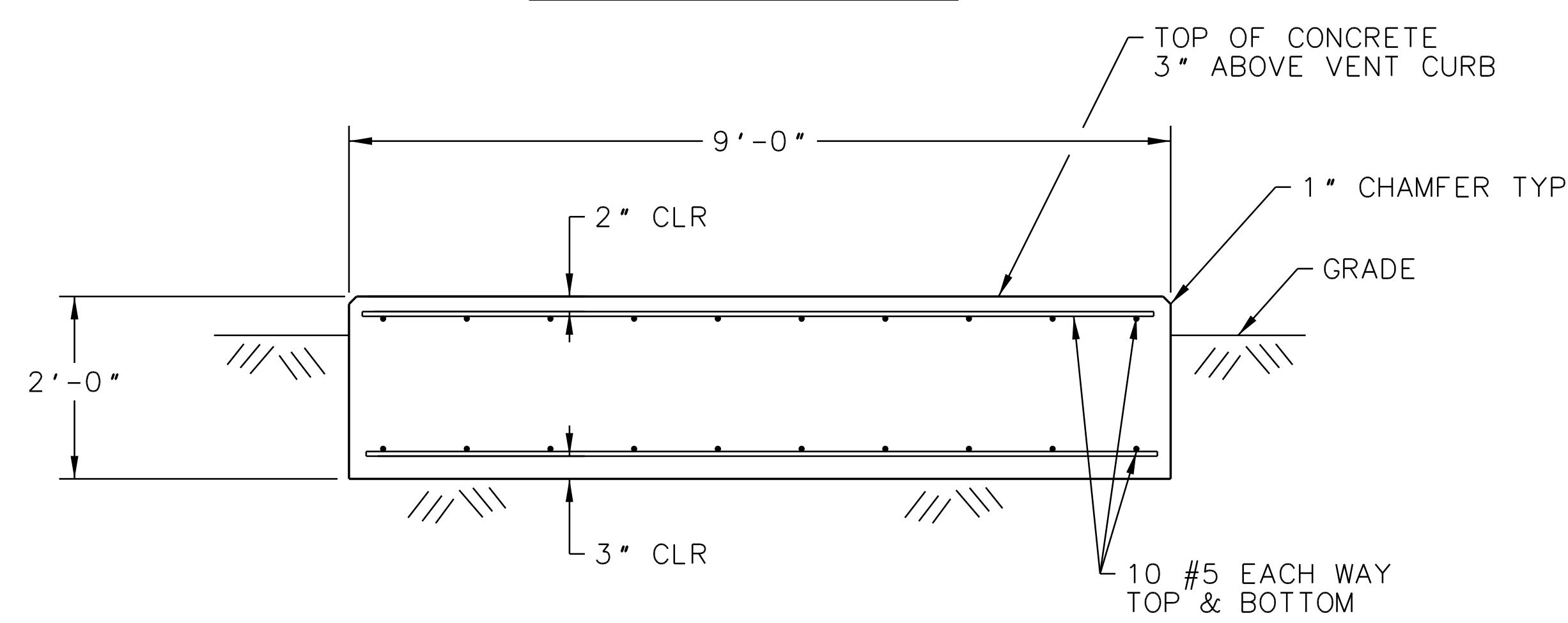
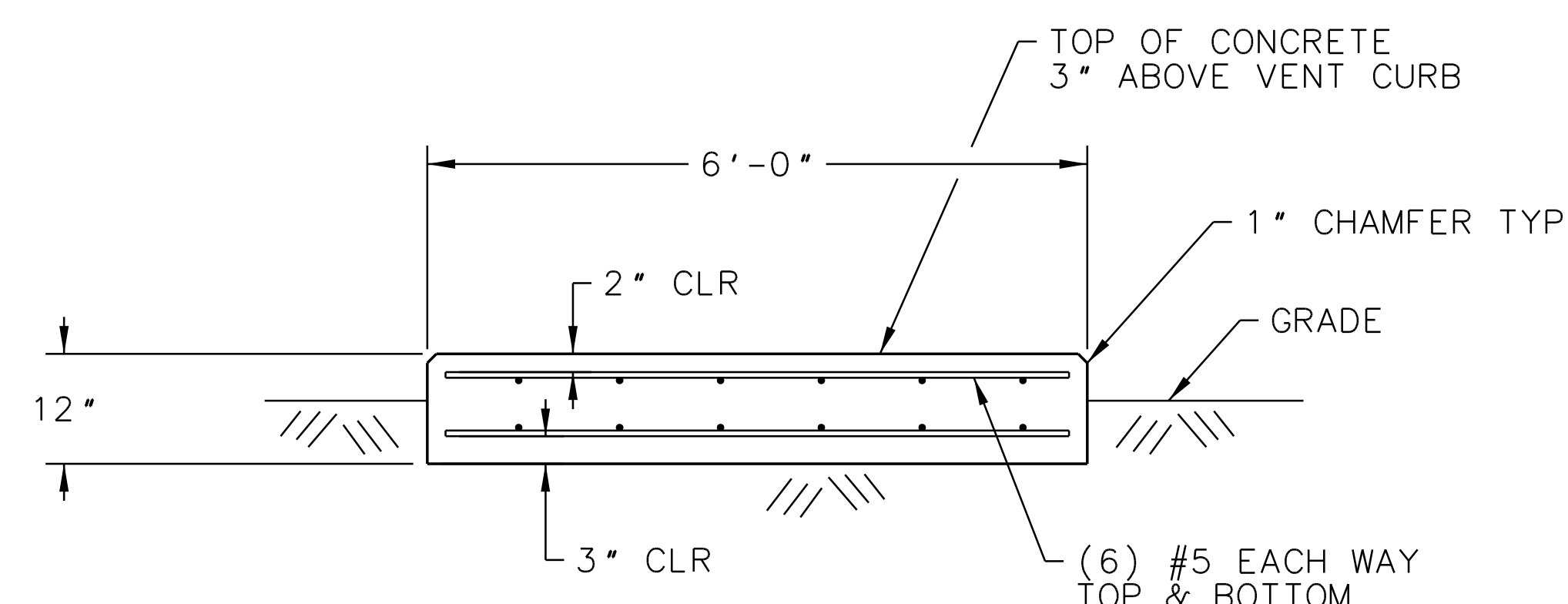


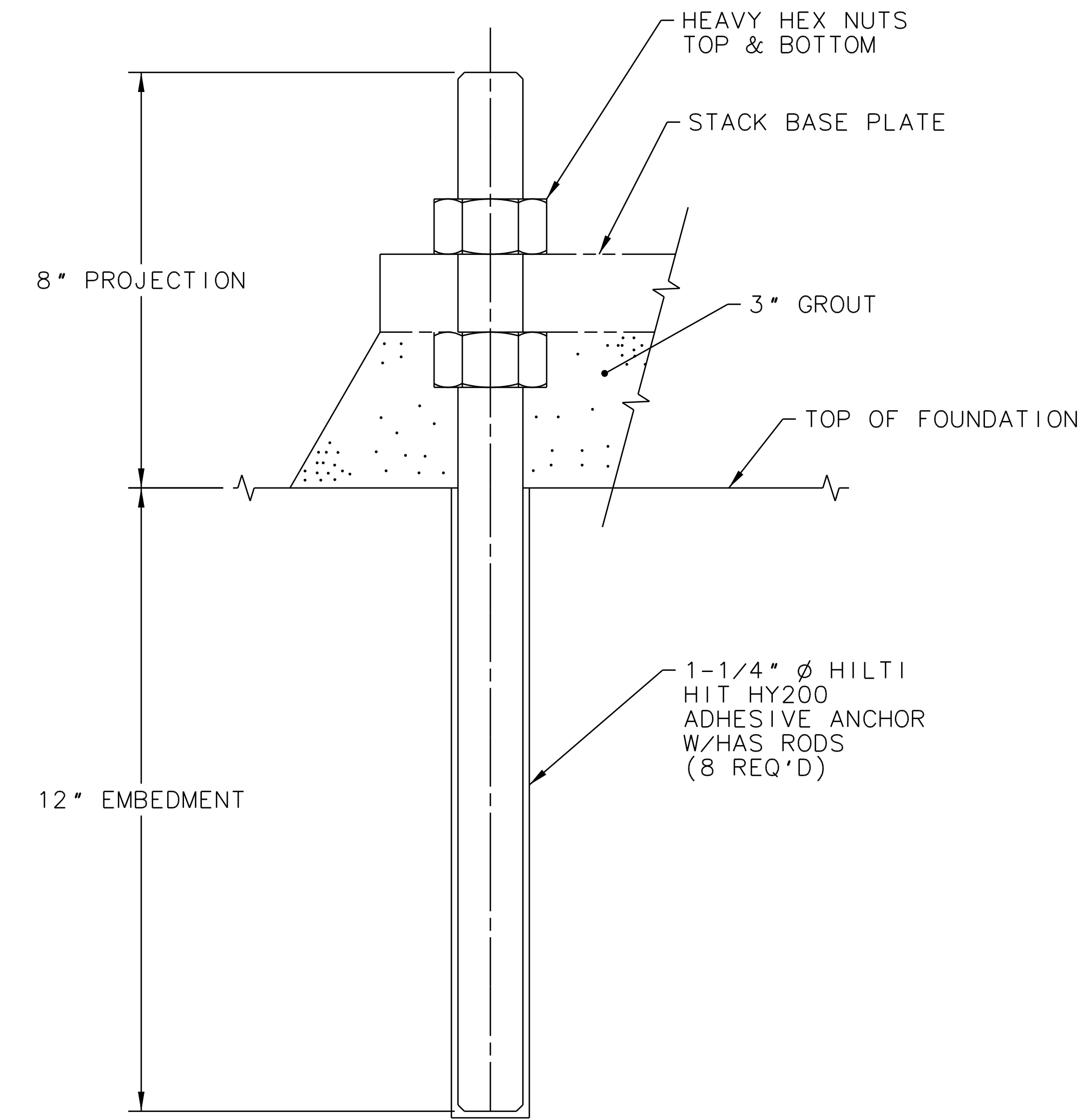
PLAN VIEW 1-7D



SECTION VIEW 1-7B
STACK FOUNDATION

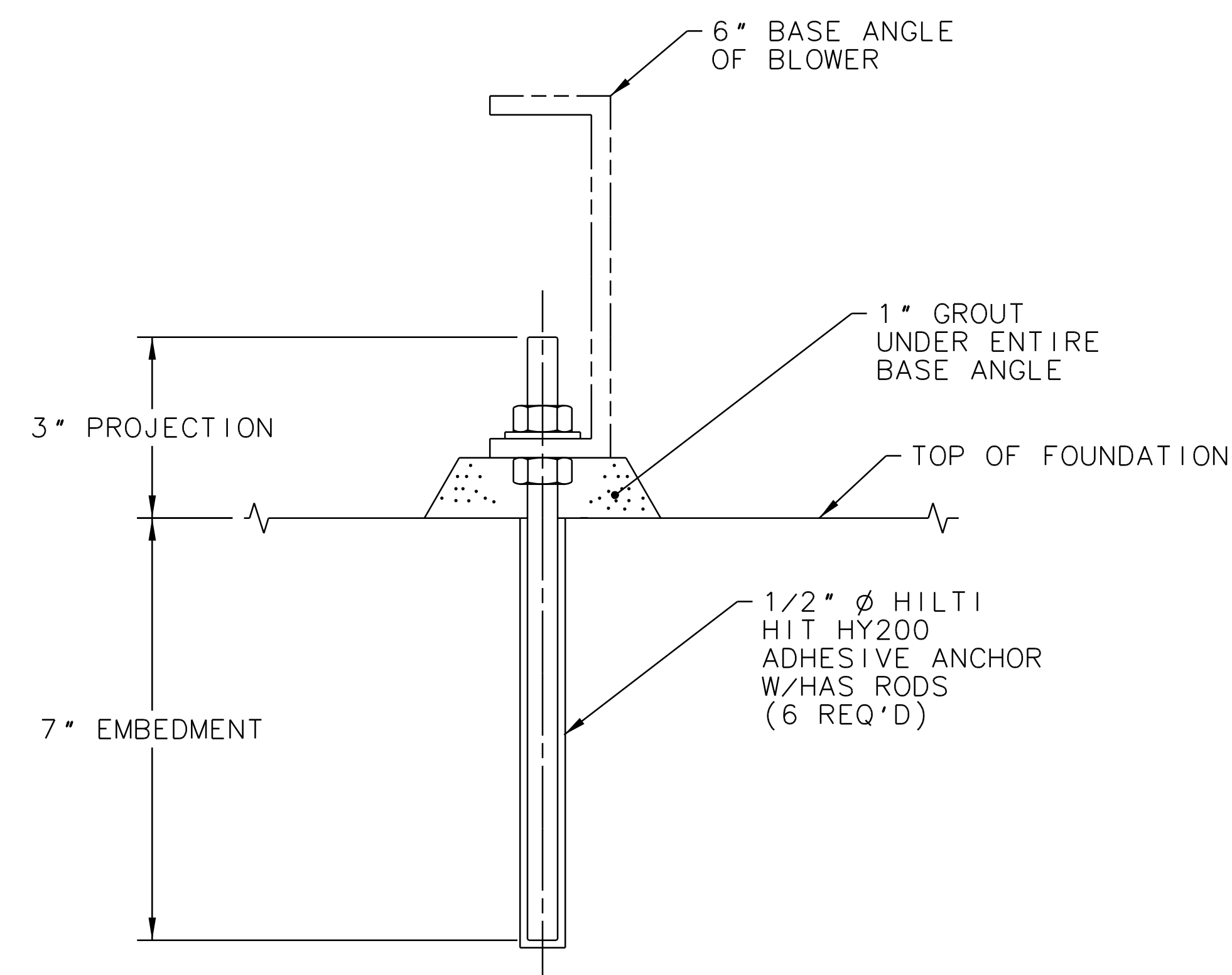


SECTION VIEW 1-7A
BLOWER FOUNDATION



TYPICAL ANCHOR BOLT

STACK FOUNDATION
SCALE 1:2



TYPICAL ANCHOR BOLT

BLOWER FOUNDATION
SCALE 1:2

NOTES:

1. ALL CONCRETE SHALL BE NORMAL WEIGHT WITH A MINIMUM 28 DAY COMPRESSIVE STRENGTH OR 4,000 PSI. CONCRETE SHALL CONTAIN 6% +/-1% ENTRAINED AIR.
2. ALL REINFORCEMENT SHALL CONFORM TO ASTM A615, GRADE 60.
3. FOR STACK FOUNDATION, CONTRACTOR SHALL PROVIDE AND INSTALL (8) 1-1/4" DIAMETER HILTI HIT HY200 ADHESIVE ANCHORS WITH HAS RODS, DOUBLE NUT AND WASHER. ANCHORS SHALL HAVE 12" EMBEDMENT AND 8" PROJECTION.
4. FOR BLOWER FOUNDATION, CONTRACTOR SHALL PROVIDE AND INSTALL (8) 1/2" DIAMETER HILTI HIT HY200 ADHESIVE ANCHORS WITH HAS RODS, NUT AND WASHER. ANCHORS SHALL HAVE 7" EMBEDMENT AND 3" PROJECTION.
5. CORNERS OF CONCRETE PADS SHALL BE MARKED OUT BY JLAB SURVEYOR.
6. UTILITY LOCATION SHALL BE DONE BY OWNER. NO EXCAVATION SHALL BE DONE BEFORE DIG PERMIT IS ISSUED BY JLAB.

DOCUMENT CONTROL STAMP		EACH SHEET OF MULTI-SHEET DRAWINGS SHALL ALWAYS HAVE THE SAME REVISION LEVEL.		TRACKING NO.		United States Department of Energy		Jefferson Lab Central and Eastern Facility		Newport News Virginia	
MATERIAL SEE NOTES ON DRAWING		THIRD ANGLE PROJECTION		APPROVALS J. MILLER		DATE 28APR16		HALL A - EXP 11112 SRC CIVIL - TRITIUM EXHAUST OUTSIDE HALL LARGE VENT ASSY CONCRETE SLAB		REV. -	
FINISH MACHINED SURFACES DEBURR & BREAK ALL SHARP EDGES		UNLESS OTHERWISE NOTED		APPROVED		APPROVED		SCALE 1:16		SHEET 1 OF 1	

IN ACCORDANCE WITH THE JEFFERSON LAB ESH&Q MANUAL
SUBJECT MATTER EXPERT (SME) SIGNATURES MAY BE REQUIRED.