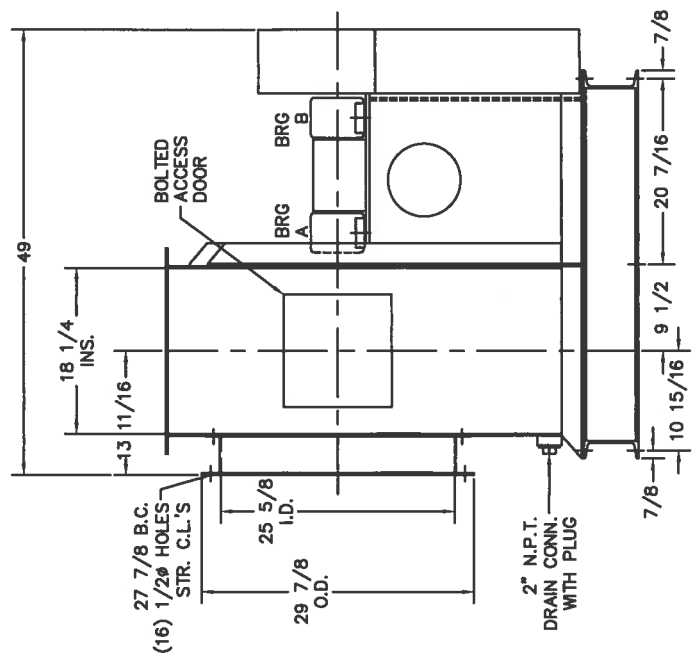
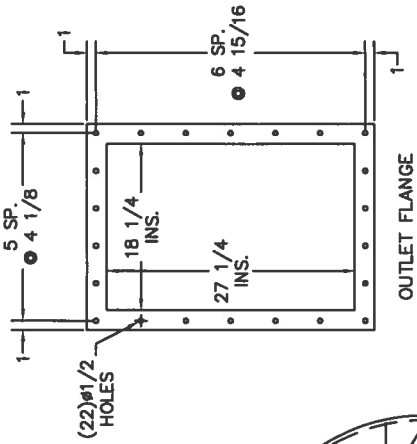
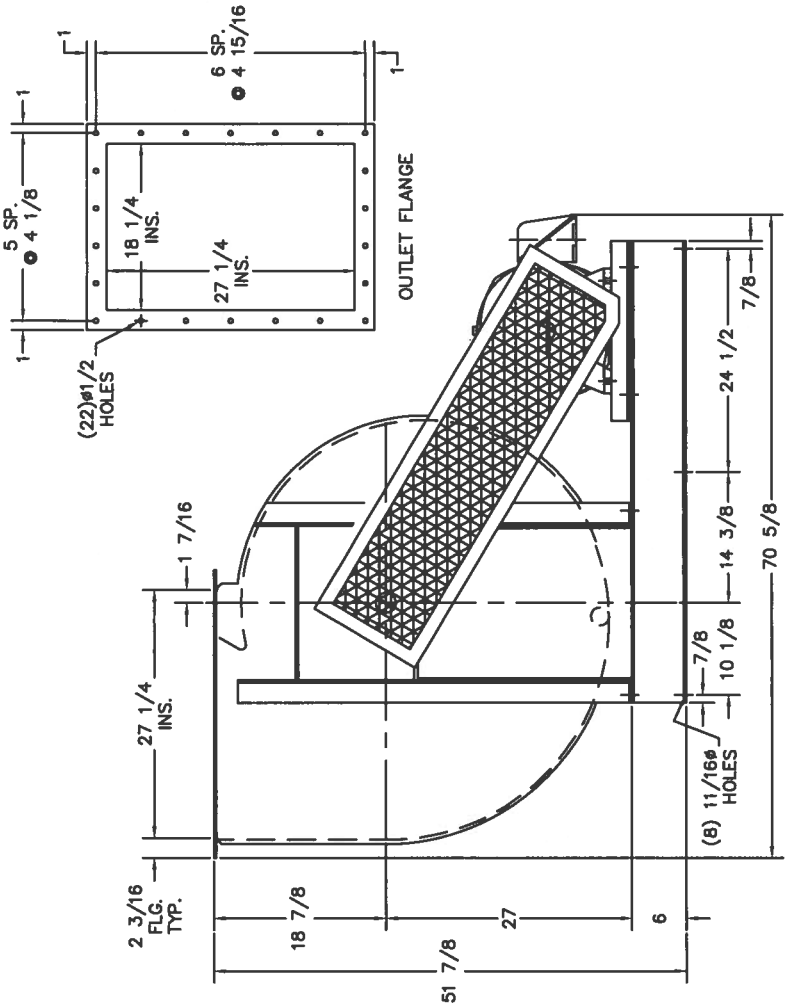


TOLERANCES ± 1/8"



RATING AT 0.0744 LBS/FT³ INLET DENSITY
 CFM - 12,000 @ 10.5 INCHES W.G.S.P.
 RPM - 2319 BHP - 27.1 1.0 CAPACITY
 MOTOR - 30 HP, 1800 RPM, 3 PH, 60 Hz, 460V
 TEFC, FR 286T, 1.15 S.F., PREM. EFF.
 FIXED-PITCH V-BELT DRIVE (1.5 S.F. MIN.) WITH GUARD
 PAINT : AIRSTREAM - GRAY ENAMEL
 EXTERIOR - GRAY ENAMEL
 COMPRESSED CARBON FIBER SHAFT SEAL

MAXIMUM ALLOWABLE SPEED : 2577 RPM
 MAXIMUM ALLOWABLE AIRSTREAM TEMP.: 150°F
 MAXIMUM ALLOWABLE AMBIENT TEMP.: 104°F
 ESTIMATED UNIT WEIGHT: 1500 LBS
 CUSTOMER: PRIME AIR PRODUCTS CO.
 P.O. NO.: 242-04-10777
 TAG NO.: P0#16-P0495

SUBMITTED FOR APPROVAL. ITEM(S) WILL BE RELEASED FOR FABRICATION ONLY AFTER THIS DRAWING IS RETURNED TO F.E. Co. MARKED "APPROVED" OR "APPROVED AS NOTED"
 CERTIFIED CORRECT FOR CONSTRUCTION
 by *[Signature]* date 2/10/16
 REVISED-DESTROY PREVIOUS DRAWINGS
 AS BUILT



FAN EQUIPMENT CO., INC.
 2630 E. LA MADRE WAY
 N. LAS VEGAS, NV 89081
 (702) 270-8344
 FAX (702) 270-8373
 FANEQUIPMENT.COM

4 BCS ARR. 1
 UB-CW CLASS 3
 MTR. POS. 'W'

DRAWN BY/DRAWING NO. RC 2016-72
 REV.