

4

3

2

1

D

D

C

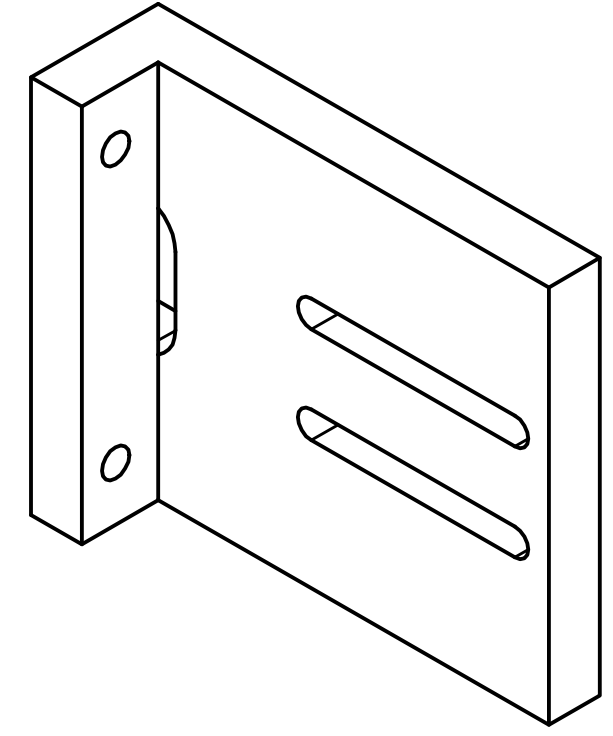
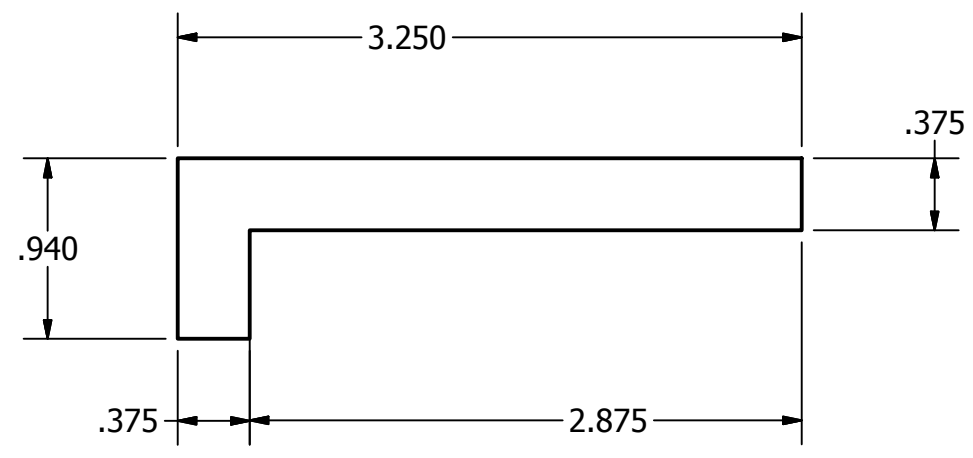
C

B

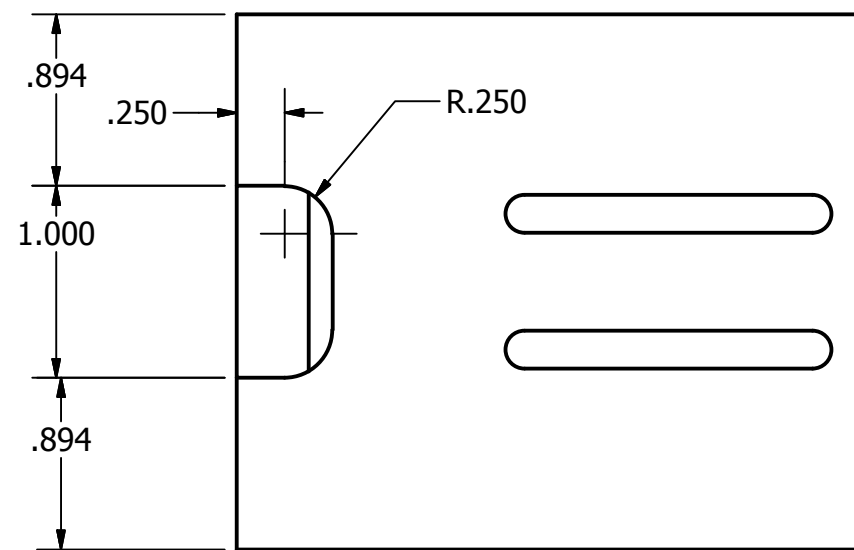
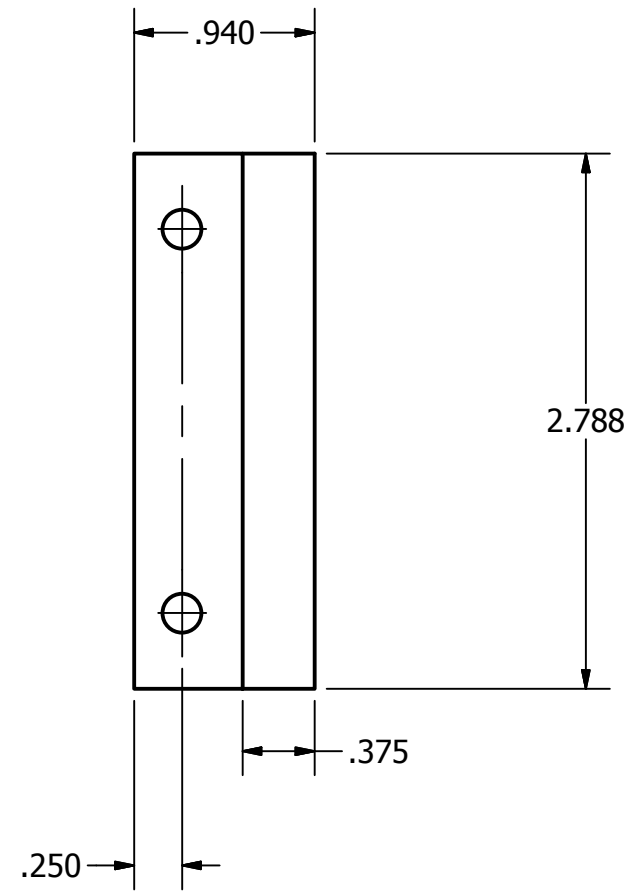
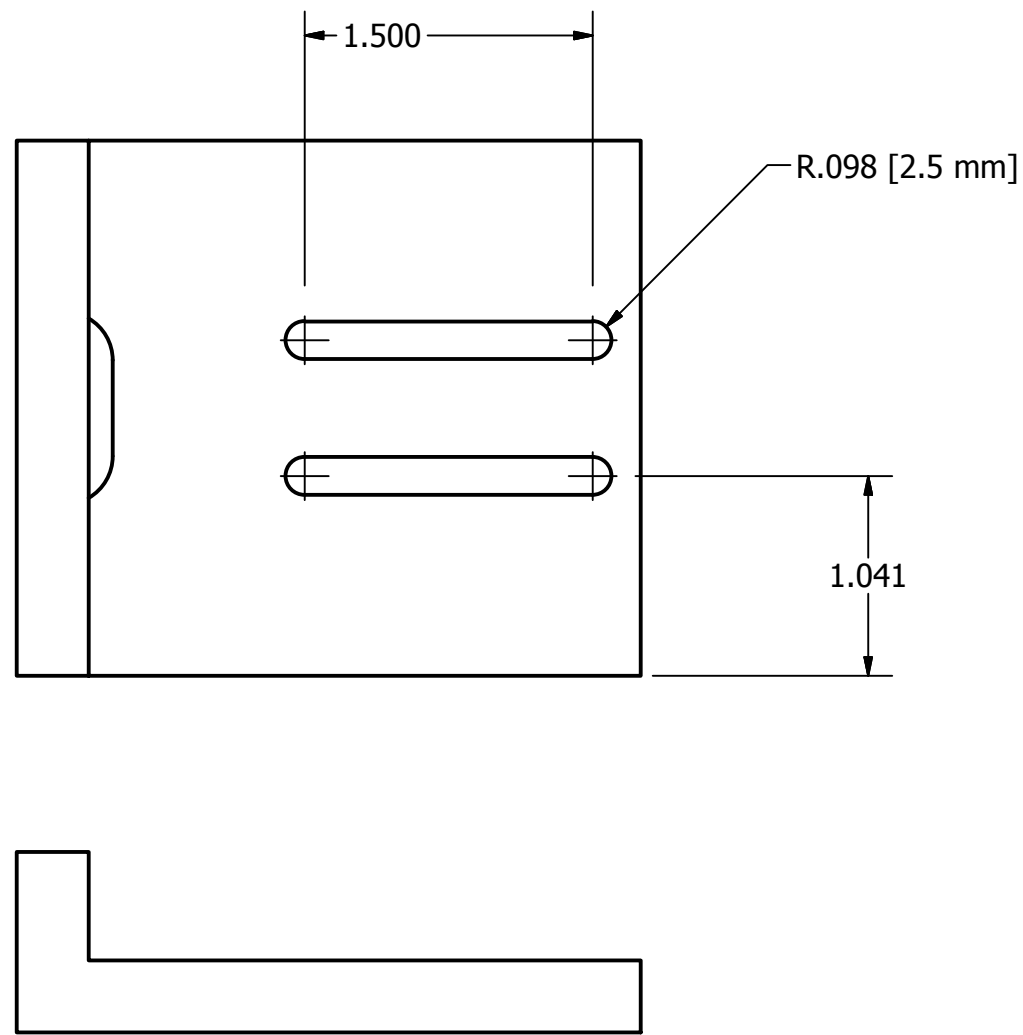
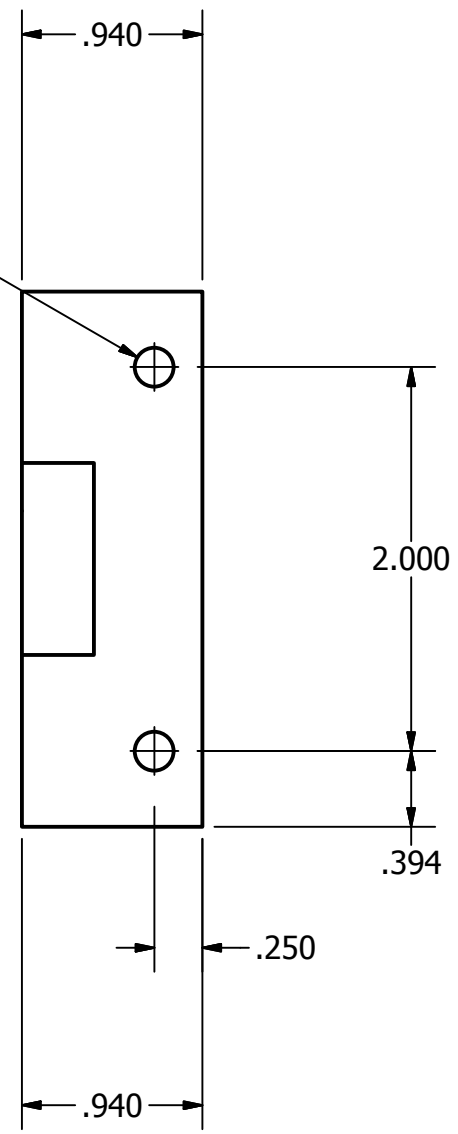
B

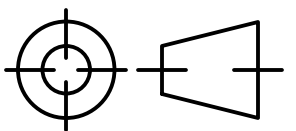
A

A



2X Ø.201 THRU



DOCUMENT CONTROL STAMP	DIM & TOL PER ASME Y14.5 . UNLESS OTHERWISE SPECIFIED DIMENSIONS ARE IN INCHES TOLERANCES ARE: FRACTIONS ±1/64 DECIMAL .X±0.1 ANGLE ±0.5' .XX±0.01 .XXX±0.005	APPROVALS	DATE	JEFFERSON LAB TARGET GROUP THOMAS JEFFERSON NATIONAL ACCELERATOR FACILITY NEWPORT NEWS VIRGINIA U.S. DEPARTMENT OF ENERGY	
		DRAWN D. Meekins	1/8/2014		
MATERIAL ASTM B209 AL 6061-T651	THIRD ANGLE PROJECTION 	CHECKED		Hall A Tritium Target Target Cell Fill Valve Support Bracket	
FINISH UNLESS OTHERWISE NOTED 32 DEBUR AND BREAK ALL SHARP EDGES ACCEPT AS NOTED		APPROVED			
Do Not Scale Drawing		APPROVED			
		APPROVED		SIZE C DWG NO TGT-103-1000-0103 REV - SCALE 1:1 ASSY. NO. SHEET 1 OF 1	