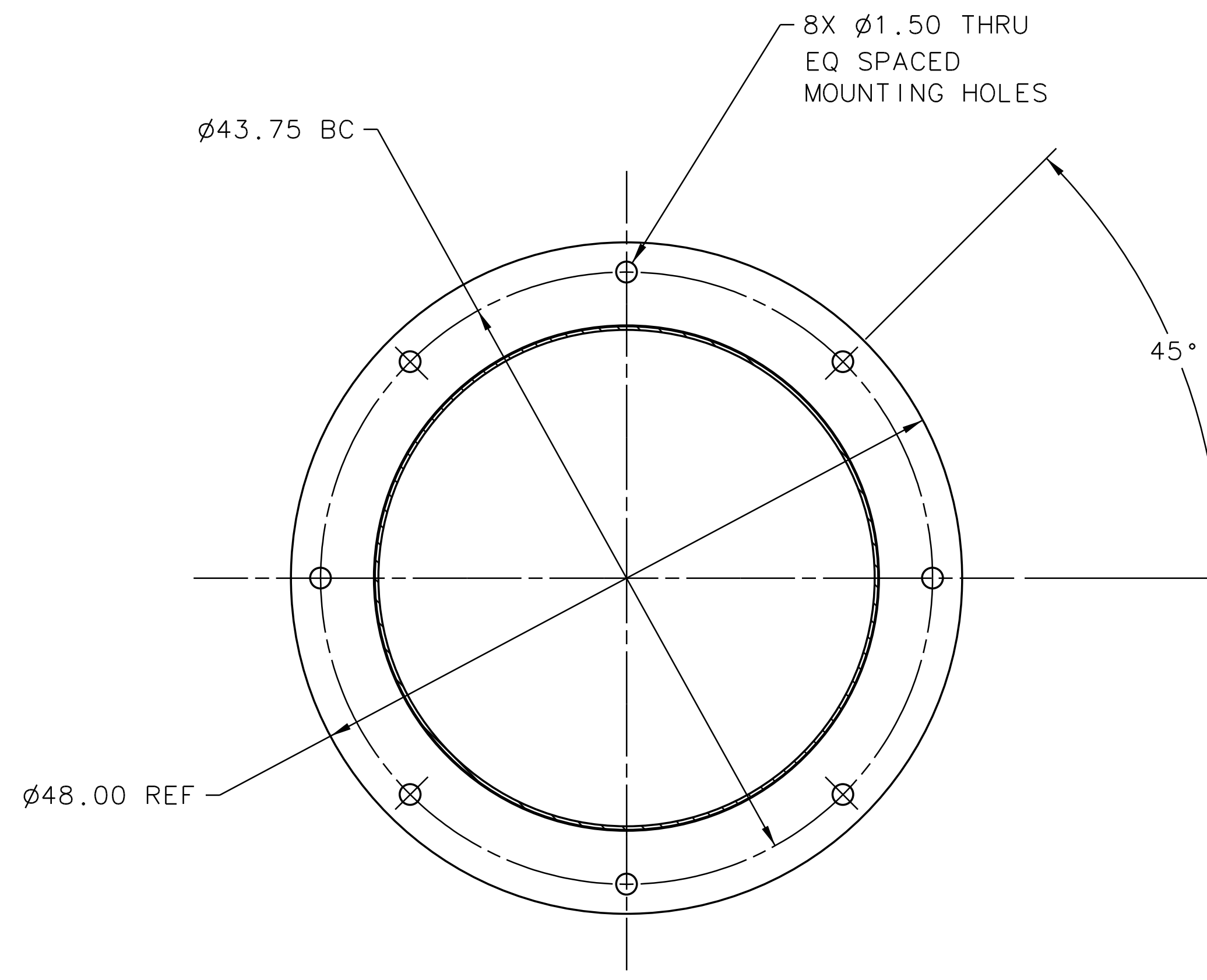
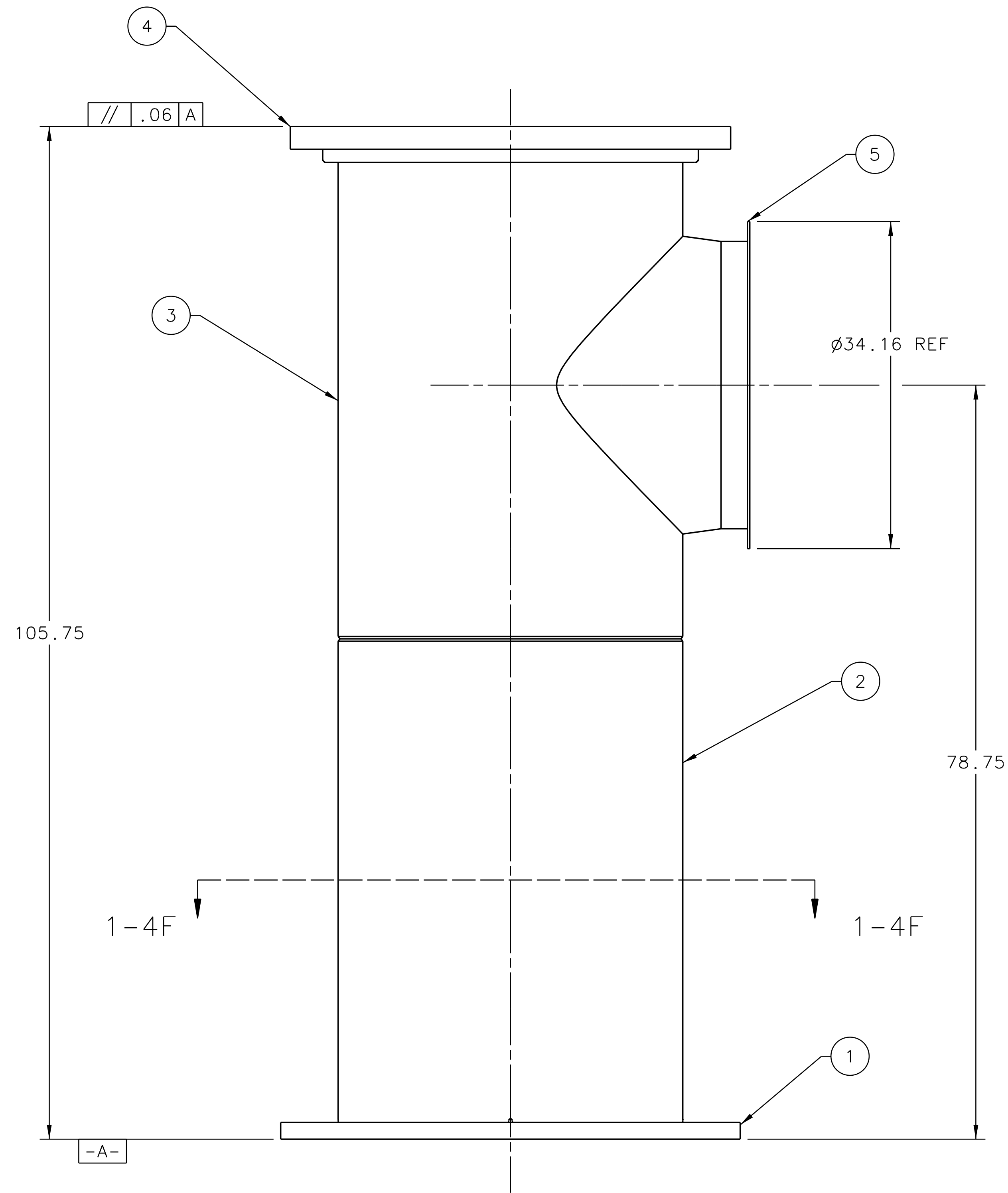


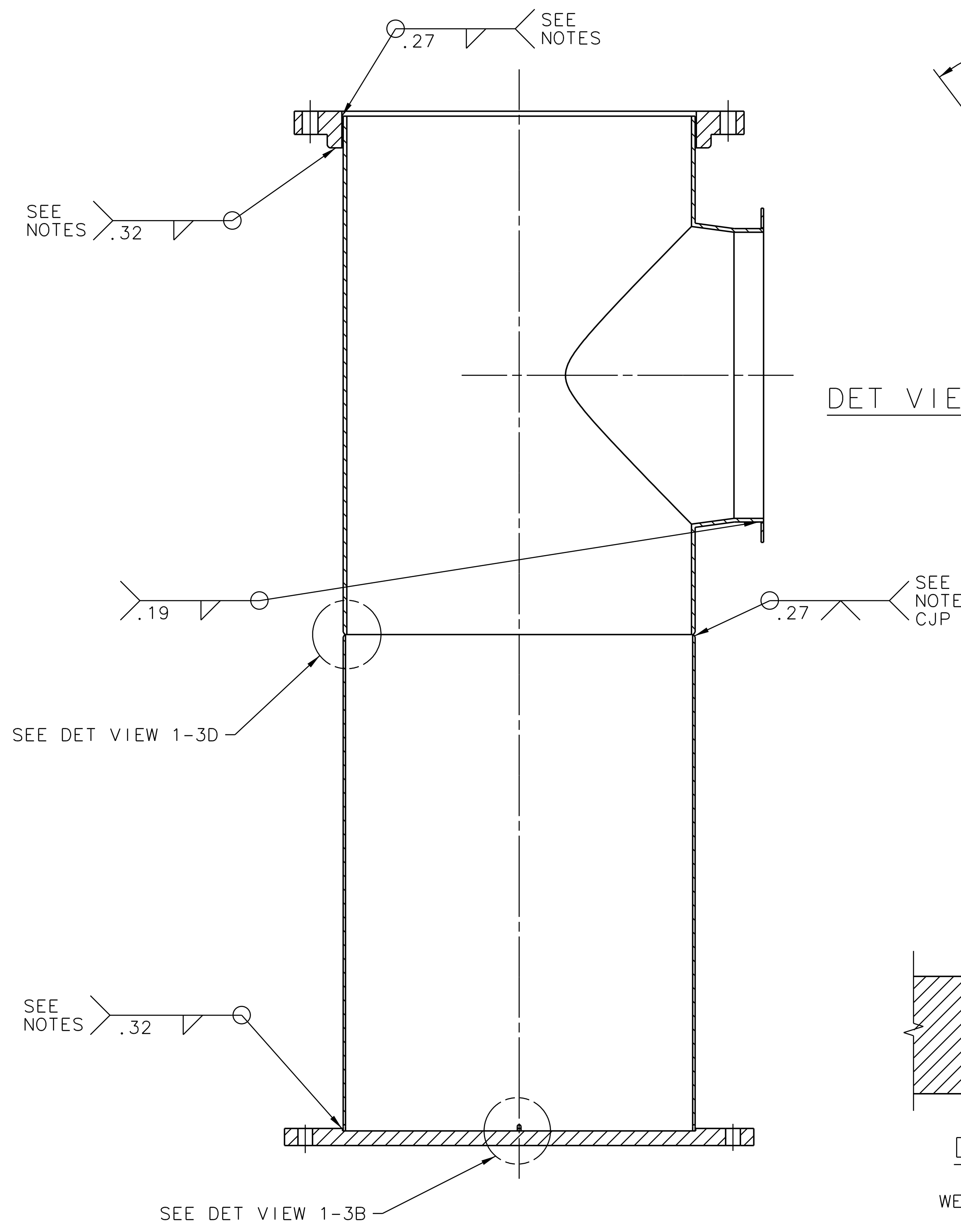
TOP VIEW 1-7F



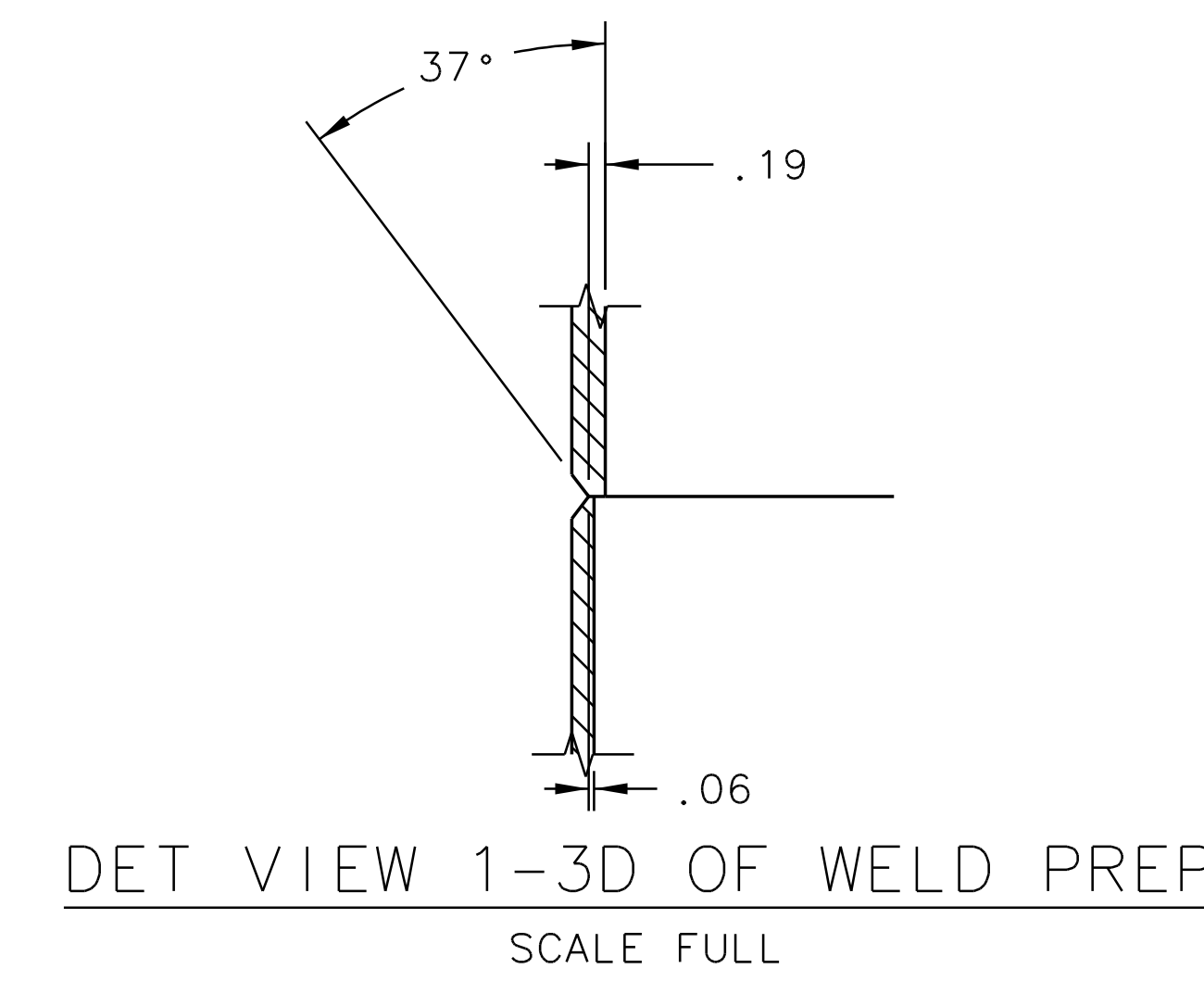
SECT VIEW 1-4F



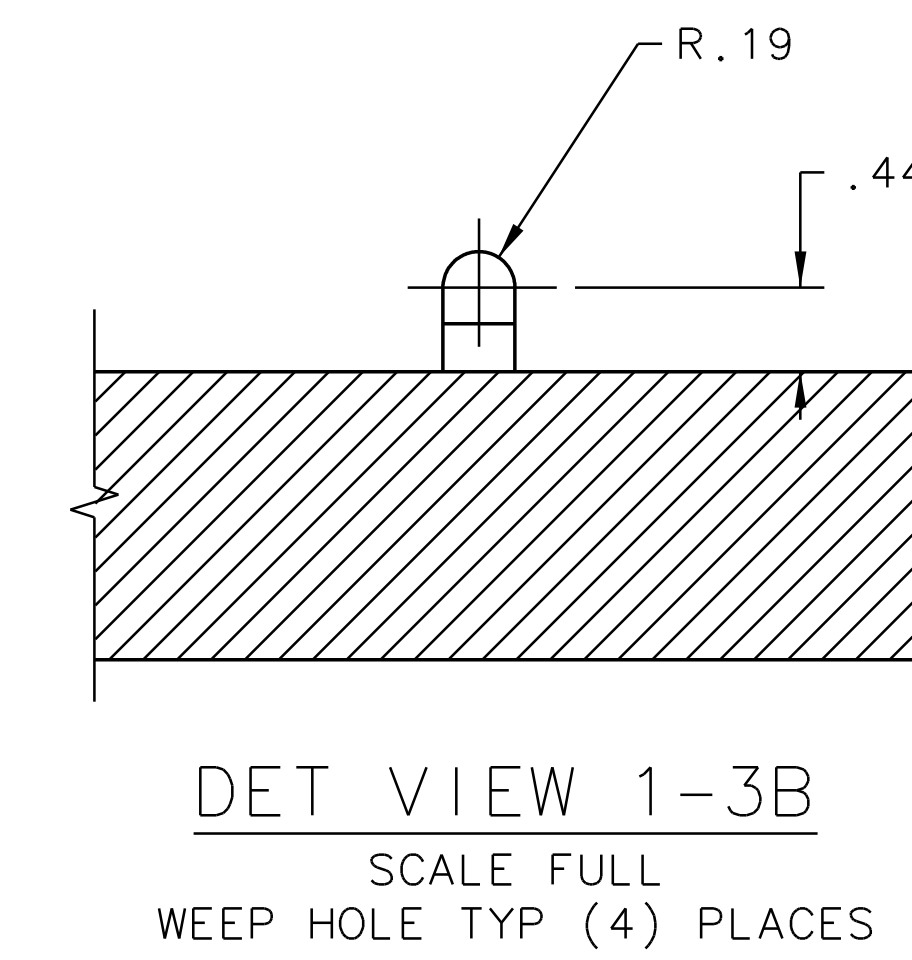
FRONT VIEW 1-7A



SECT VIEW 1-4A



DET VIEW 1-3D OF WELD PREP
SCALE FULL



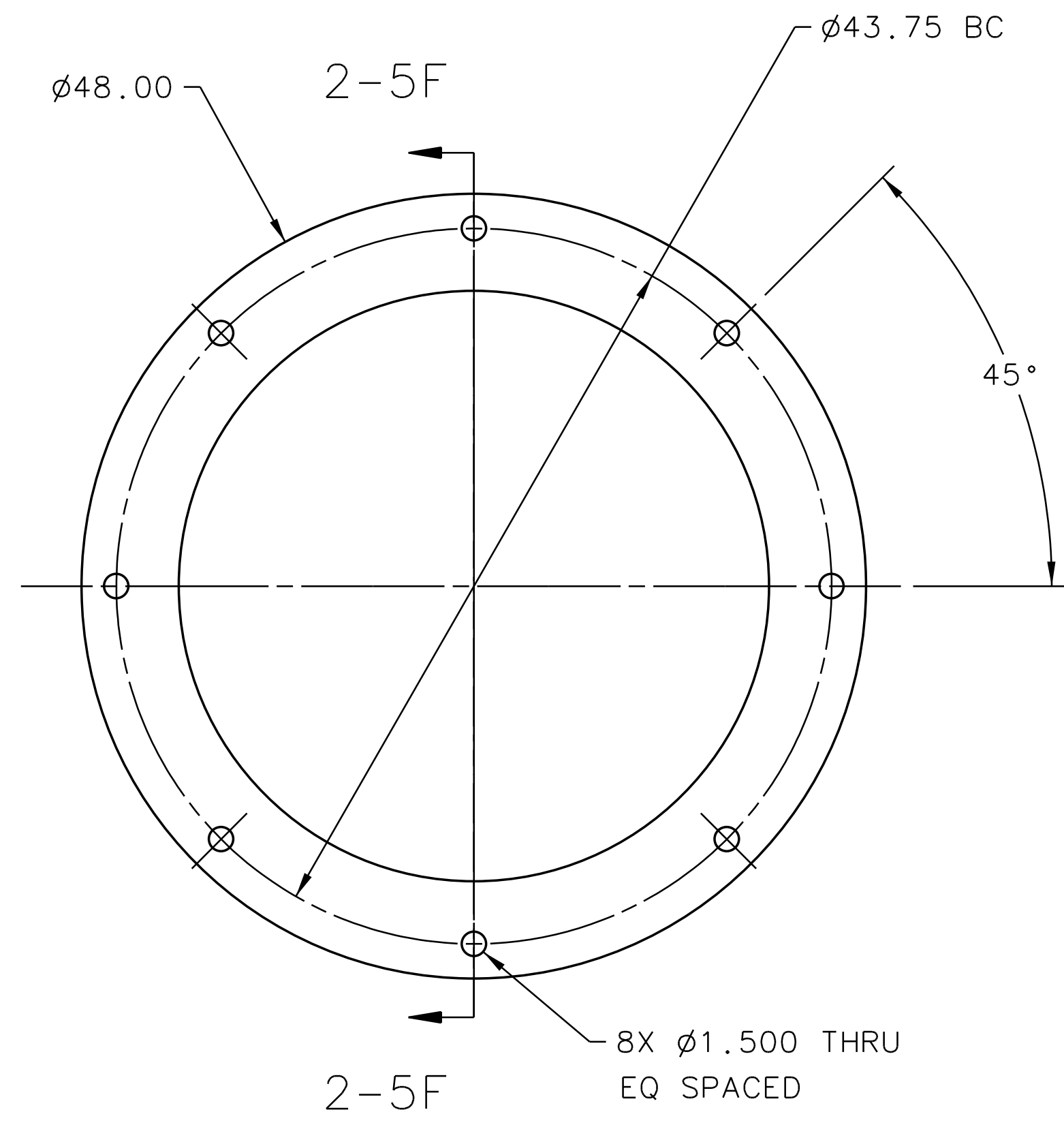
DET VIEW 1-3B
SCALE FULL
WEEP HOLE TYP (4) PLACES

- NOTES:
- APPROX. WEIGHT 2290 LBS.
 - ALL WELDS JLAB CODE WELDS UNLESS OTHERWISE NOTED.
 - APPLICABLE WELDING CODE AWS D1.6 (2007).
 - MTR REQUIRED FOR ALL BASE & FILLER METALS.
 - 100% VISUAL INSPECTION REQUIRED.
 - FINAL INSPECTION BY JLAB WELD INSPECTOR OR DESIGNEE REQUIRED.
 - WELDING PROCESS MAY BE GTAW OR GMAW.
 - JLAB WPS-015 OR OTHER APPROVED BY ENGINEER.
 - FILLER ER316L/316 OR ER308L/308.

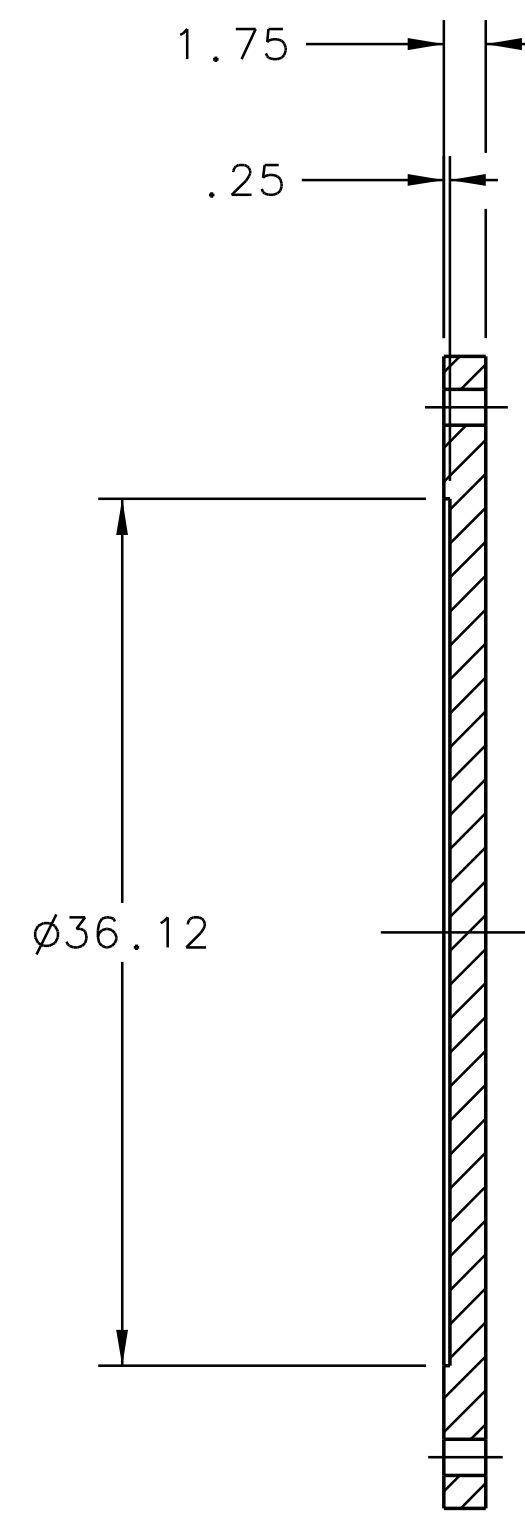
QTY	ITEM NO.	PART OR IDENTIFYING NO.	DESCRIPTION OR IDENTIFYING NO.	MATERIAL SPECIFICATION	NOTES
1	5	FELKER PIPE	FACE RING FOR 30 DIA PIPE	316 STAINLESS STEEL	-
2	4	COASTAL 3612501S OR EQ	FLANGE 36 IN 150 LB SLIPON	304 STAINLESS STEEL	-
1	3	FELKER PIPE	REDUCING TEE 36 X 30 X .38 WALL	304L STAINLESS STEEL ASTM-A774	-
1	2	A11112-14-10-1700 -WLD02	PIPE 36 DIA X .25 WALL X 50.75 LG	304 STAINLESS STEEL ASTM-A777	-
1	1	A11112-14-01-1700 -WLD01	BASE FLANGE	304 STAINLESS STEEL ASTM-A240	-

DOCUMENT CONTROL STAMP	DIN & TOL PER ASME Y14.5 UNLESS OTHERWISE SPECIFIED DIMENSIONS ARE IN INCHES TOLERANCES ARE FRACTIONS DECIMAL ANGLES ± N/A X ± .01 ± .50' ± N/A X ± .005 ± .50'	TRACKING NO. N/A	United States Department of Energy
MATERIAL A36 STEEL	THIRD ANGLE PROJECTION	APPROVALS DATE	Jefferson Lab Newport News Virginia
FINISH MACHINED SURFACES DEBURR & BREAK ALL SHARP EDGES DO NOT SCALE DRAWING	UNLESS OTHERWISE NOTED	DRAWN J. MILLER 02MAY16	HALL A - EXP 11112 SRC CIVIL - TRITIUM EXHAUST OUTSIDE HALL LARGE VENT SUBASSY BASE PIPE WELDMENT
		APPROVED	SIZE (DWG. NO.) A11112-14-01-1700
		APPROVED	SCALE 1:4 (SEE DWG. NO. A11112-14-01-0800) SHEET 1 OF 2

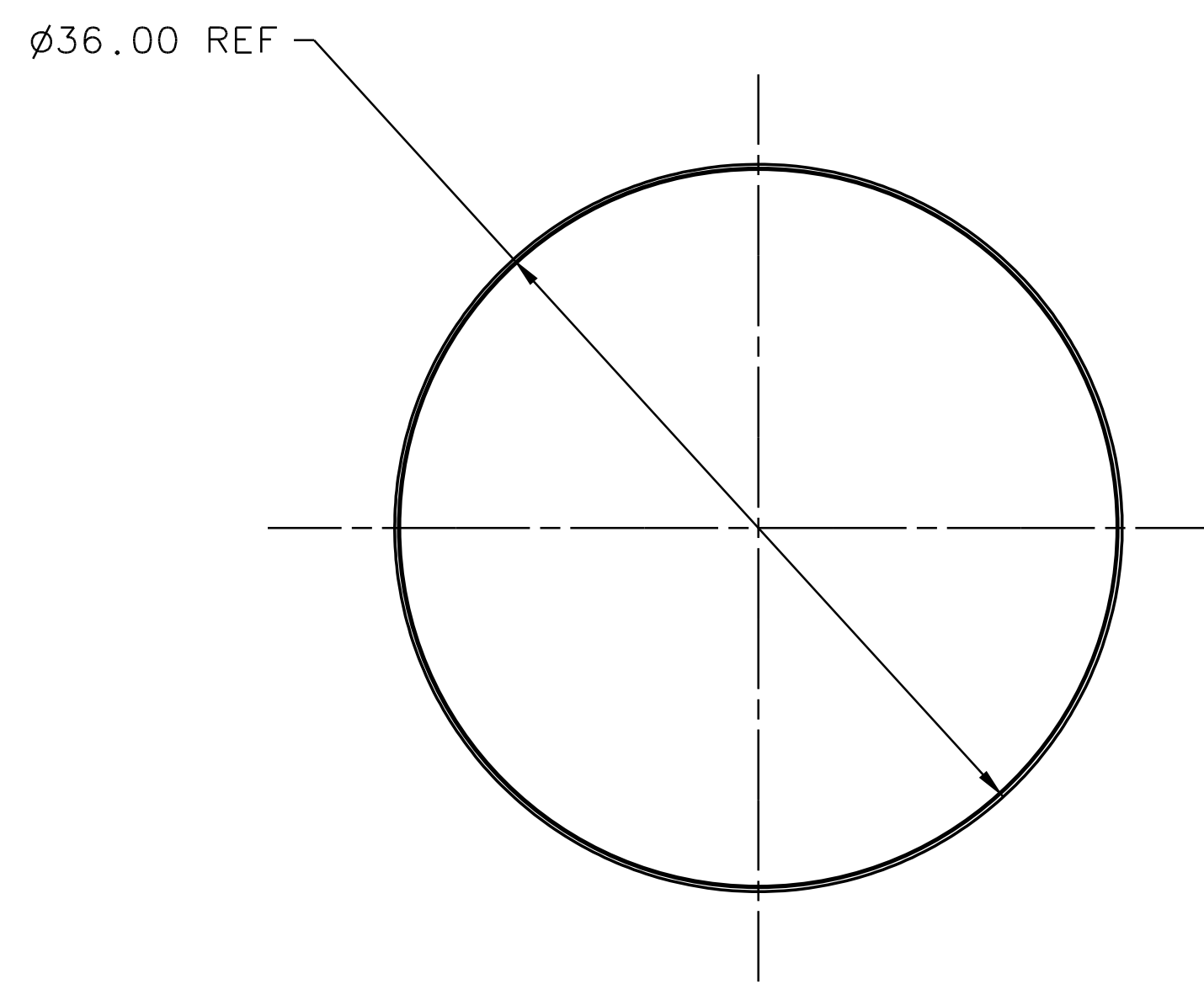
IN ACCORDANCE WITH THE JEFFERSON LAB ESH&Q MANUAL SUBJECT MATTER EXPERT (SME) SIGNATURES MAY BE REQUIRED.



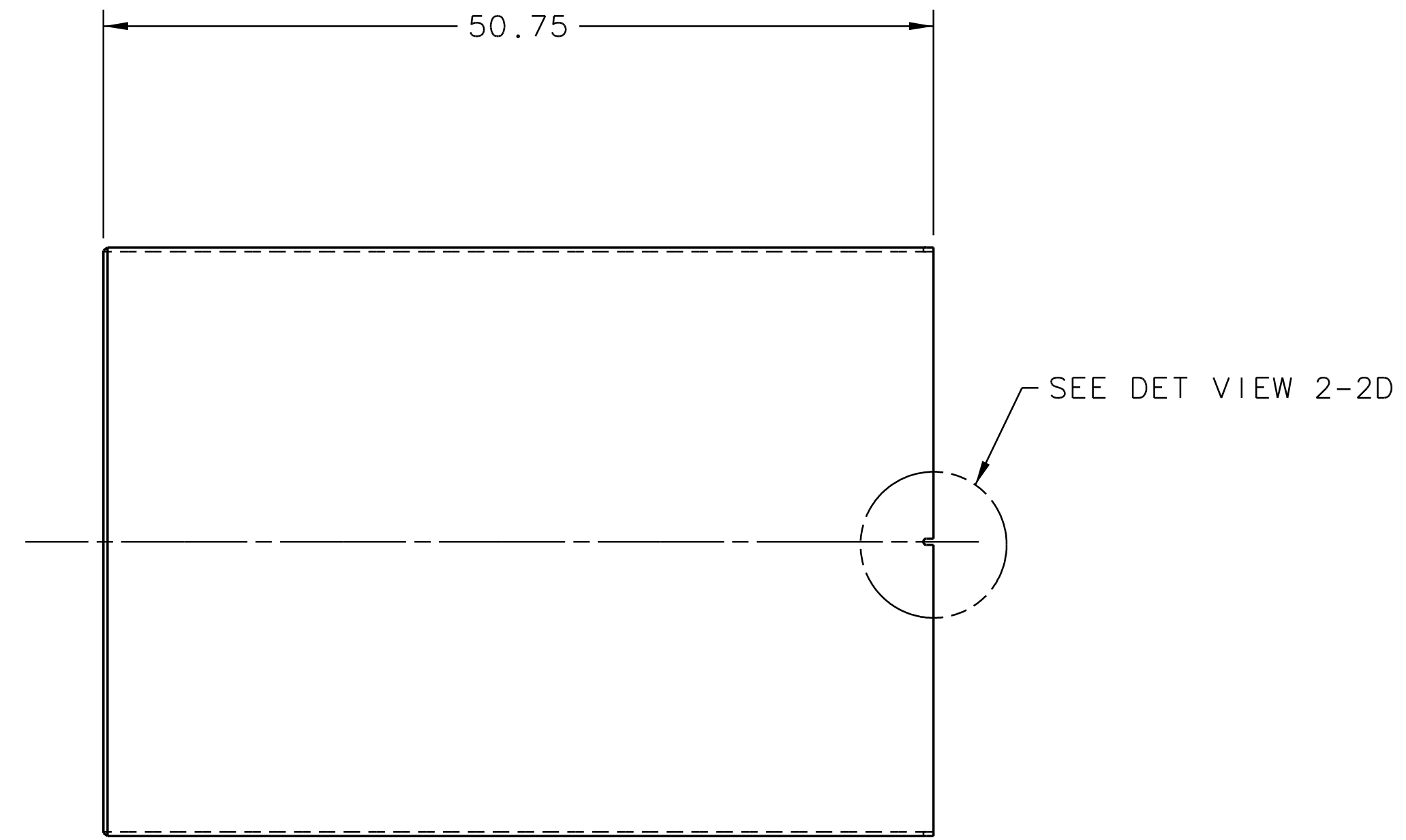
DET VIEW 2-7F OF ITEM 1



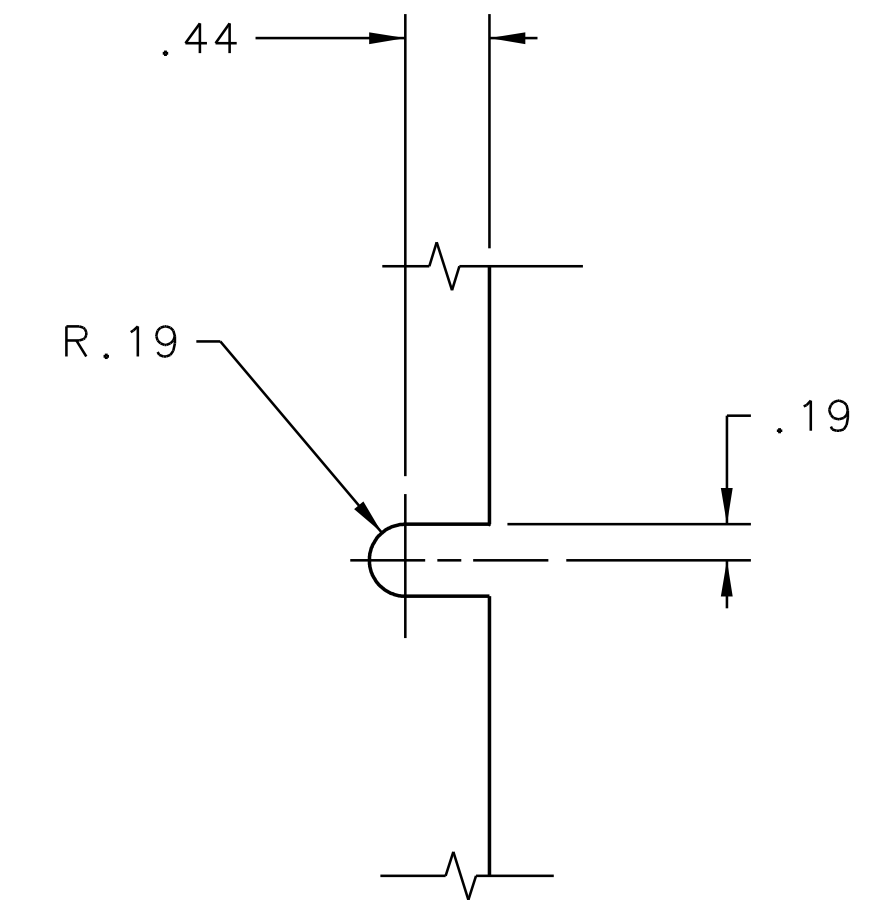
SECT VIEW 2-5F OF ITEM 1



DET VIEW 2-7C OF ITEM 2



DET VIEW 2-4C OF ITEM 2



DET VIEW 2-2D OF ITEM 2
SCALE FULL
WEEP HOLE TYP (4) PLACES