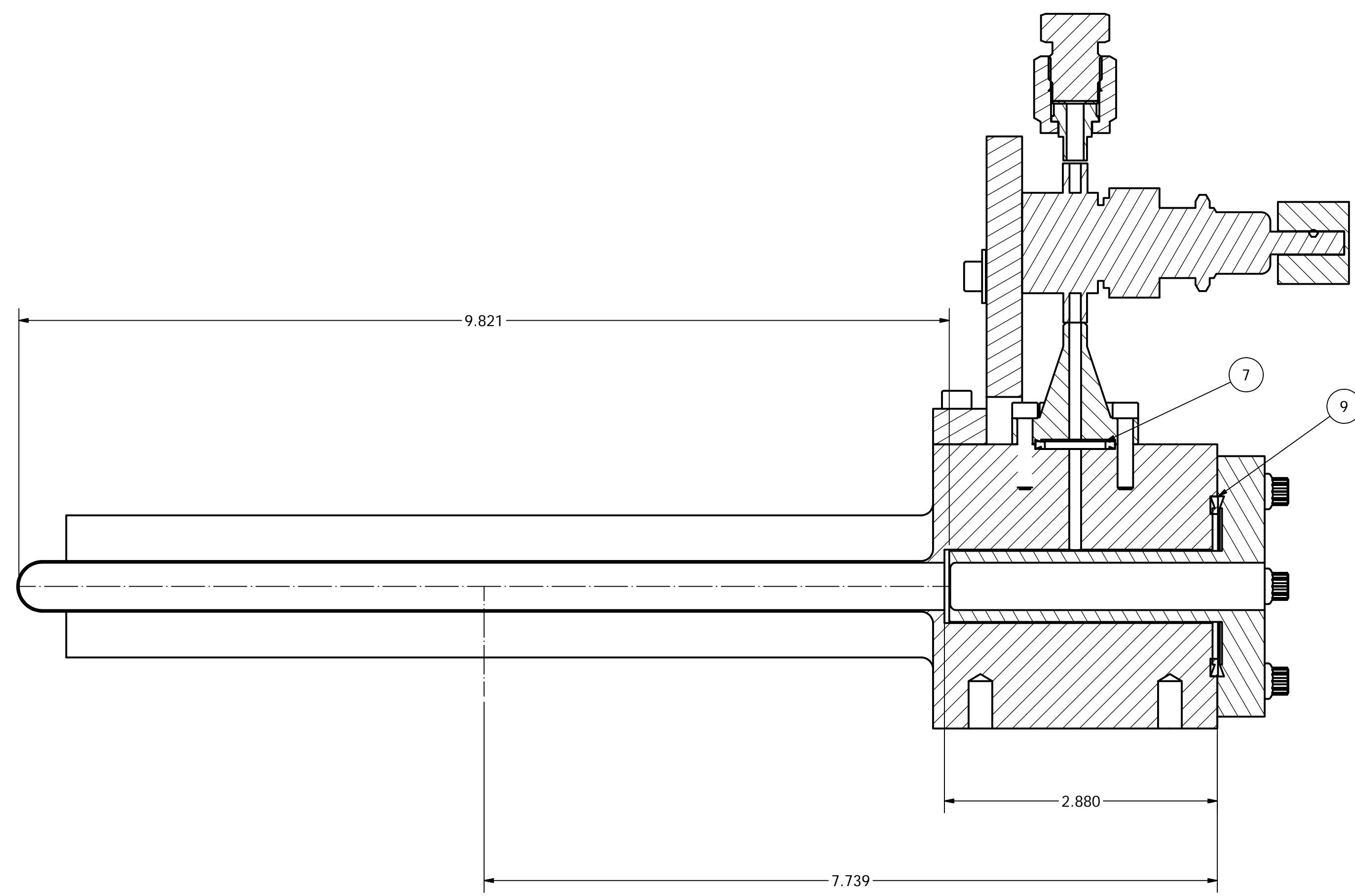


Notes:

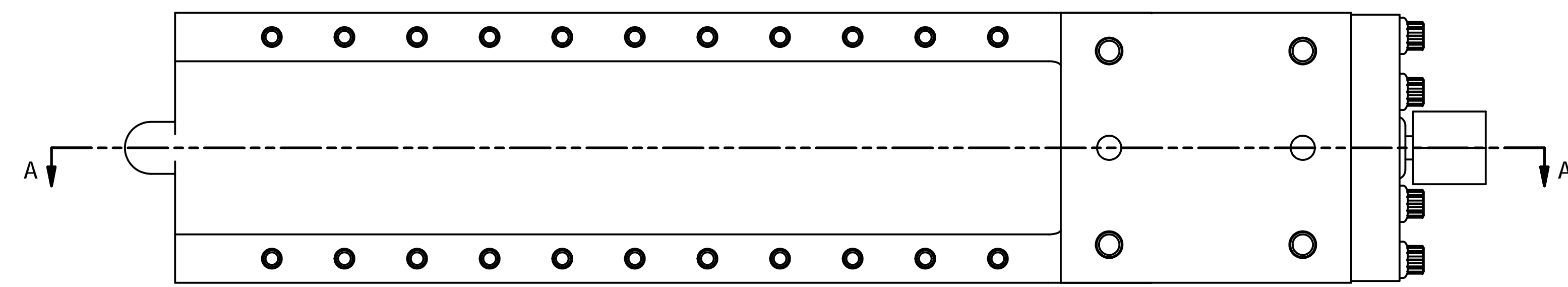
- 1) Tritium cell to be assembled by qualified personnel only
- 2) Leak/pressure test to less than 10^{-9} atm cc/s in reverse mode with 400 psi internal pressure
- 3a) Torque 1/4-28 12 pt screws to 150 in-lbf
- 3b) Torque 8-32 screws to 85 in-lbf
- 3c) Torque 10-32 screws to 100 in-lbf
- 4) Minimum design metal temperature is -370F (50K)
- 5) Maximum design temperature 120F (322K)
- 6) Design Pressure 500 psi
- 7) JLAB Pressure system number PS-TGT-12-001

PARTS LIST					
ITEM	QTY	PART NUMBER	DESCRIPTION	MATERIAL	VENDOR
1	1	TGT-103-1000-0010	Tritium Target Cell Block	VARIOUS	
2	1	TGT-103-1000-0011	Fill Tube Weldment Assy	ASTM A 269 316L/ER316L	
3	1	TGT-103-1000-0100	Tritium Cell Entrance Window	ASTM B209 7075-T651	
4	6	12pt 1/4-28x1-28.6	1/4-28 x 1.00 12 pt. Cap Screw SST	ASTM A453-A286	Ocean State Stainless
5	1	TGT-103-1000-0103	Valve Support Bracket	ASTM B209 AL 6061-T651	
6	2	ANSI B18.3 - 10-32 UNF - 0.625 HS HCS	SHCS 10-32 x .625	ASTM A453-A286	Ocean State Stainless
7	1	GA-0133AL	1.33 Al CF Gasket	Aluminum 1100-H14	Lesker Vacuum
8	2	SHCS 10-32x0.75 A286	SHCS 10-32x0.75 A286	ASTM A453-A286	Ocean State Stainless
9	1	GA-0275AL	Al Gasket 2.75 CF	Aluminum 1100-H14	Lesker Vacuum
10	2	ANSI B18.22.1 - No. 10 - Regular - Type B	#10 Plain Washer A286	ASTM A453-A286	Ocean State Stainless
11	6	8-32 x 0.75 HSHCS	8-32 x 0.75 HSHCS	ASTM A453-A286	Ocean State Stainless

DOCUMENT CONTROL STAMP	DIM & TOL PER ASME Y14.5 UNLESS OTHERWISE SPECIFIED DIMENSIONS ARE IN INCHES TOLERANCES ARE: FRACTIONS DECIMALS ANGLES ±1/64 X±0.1 XXX±0.005	APPROVALS	DATE	JEFFERSON LAB TARGET GROUP THOMAS JEFFERSON NATIONAL ACCELERATOR FACILITY NEWPORT NEWS VIRGINIA U.S. DEPARTMENT OF ENERGY
MATERIAL N/A	THIRD ANGLE PROJECTION	DRAWN D. Meekins	1/8/2014	Hall A Tritium Target Target Cell Cell Assembly
FINISH N/A UNLESS OTHERWISE NOTED	DEBUR AND BREAK ALL SHARP EDGES ACCEPT AS NOTED	CHECKED		SIZE E
Do Not Scale Drawing		APPROVED		DWG NO TGT-103-1000-0012
		APPROVED		REV A
		APPROVED		SCALE 1:1 ASSY NO. SHEET 1 OF 2



SECTION A-A
SCALE 1 : 1



DOCUMENT CONTROL STAMP	DIM & TOL PER ASME Y14.5 UNLESS OTHERWISE SPECIFIED DIMENSIONS ARE IN INCHES TOLERANCES ARE: FRACTIONS DECIMALS ANGLE ±1/64 X±0.1 ±0.5° XXX±0.01 XXX±0.005	APPROVALS	DATE	JEFFERSON LAB TARGET GROUP THOMAS JEFFERSON NATIONAL ACCELERATOR FACILITY NEWPORT NEWS VIRGINIA U.S. DEPARTMENT OF ENERGY
MATERIAL VAR	THIRD ANGLE PROJECTION	DRAWN D. Meekins	1/8/2014	Hall A Trilium Target Target Coil Coil Assembly
FINISH DEBUR AND BREAK ALL SHARP EDGES ACCEPT AS NOTED	VAR UNLESS OTHERWISE NOTED	CHECKED		REV A
Do Not Scale Drawing		APPROVED		SIZE E
		APPROVED		DWG NO TGT-103-1000-0012
		APPROVED		SCALE VAR ASSY NO. SHEET 2 OF 2