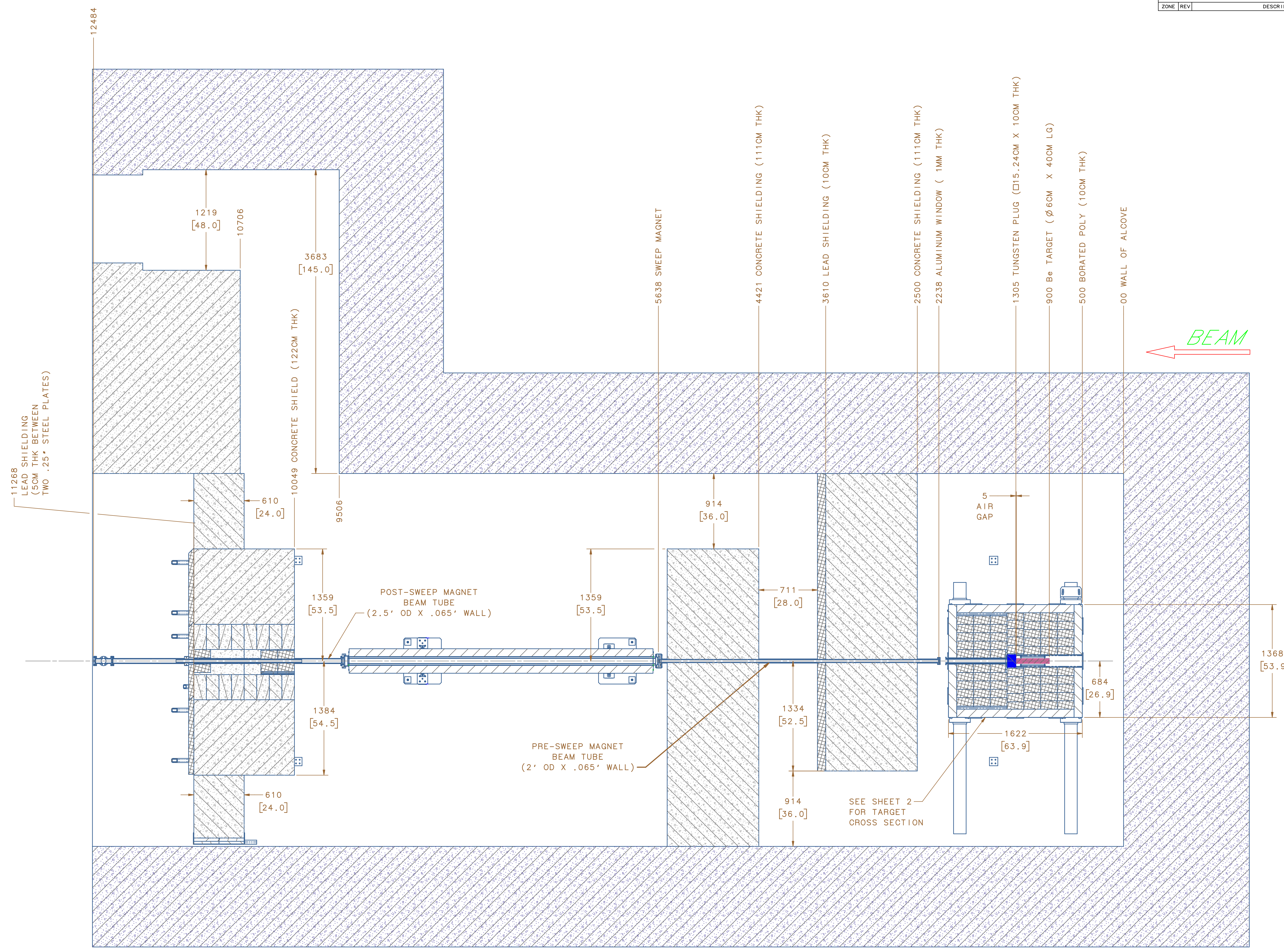


REVISION HISTORY		
ZONE	REV	DESCRIPTION



EACH SHEET OF MULTI-SHEET DRAWINGS SHALL ALWAYS HAVE THE SAME REVISION LEVEL.

UNITED STATES DEPARTMENT OF ENERGY
Jefferson Lab
 Thomas Jefferson National Accelerator Facility
 Newport News, Virginia

HALL D - KLONG INSTALLATIONS
 COLLIMATOR ALCOVE
 COLLIMATOR ALCOVE LAYOUT

SIZE DWG. NO. D00001-00-01-4000
 SCALE 1:16
 SHEET 1 OF 2

DATE 17NOV21
 DRAWN K. HARDING

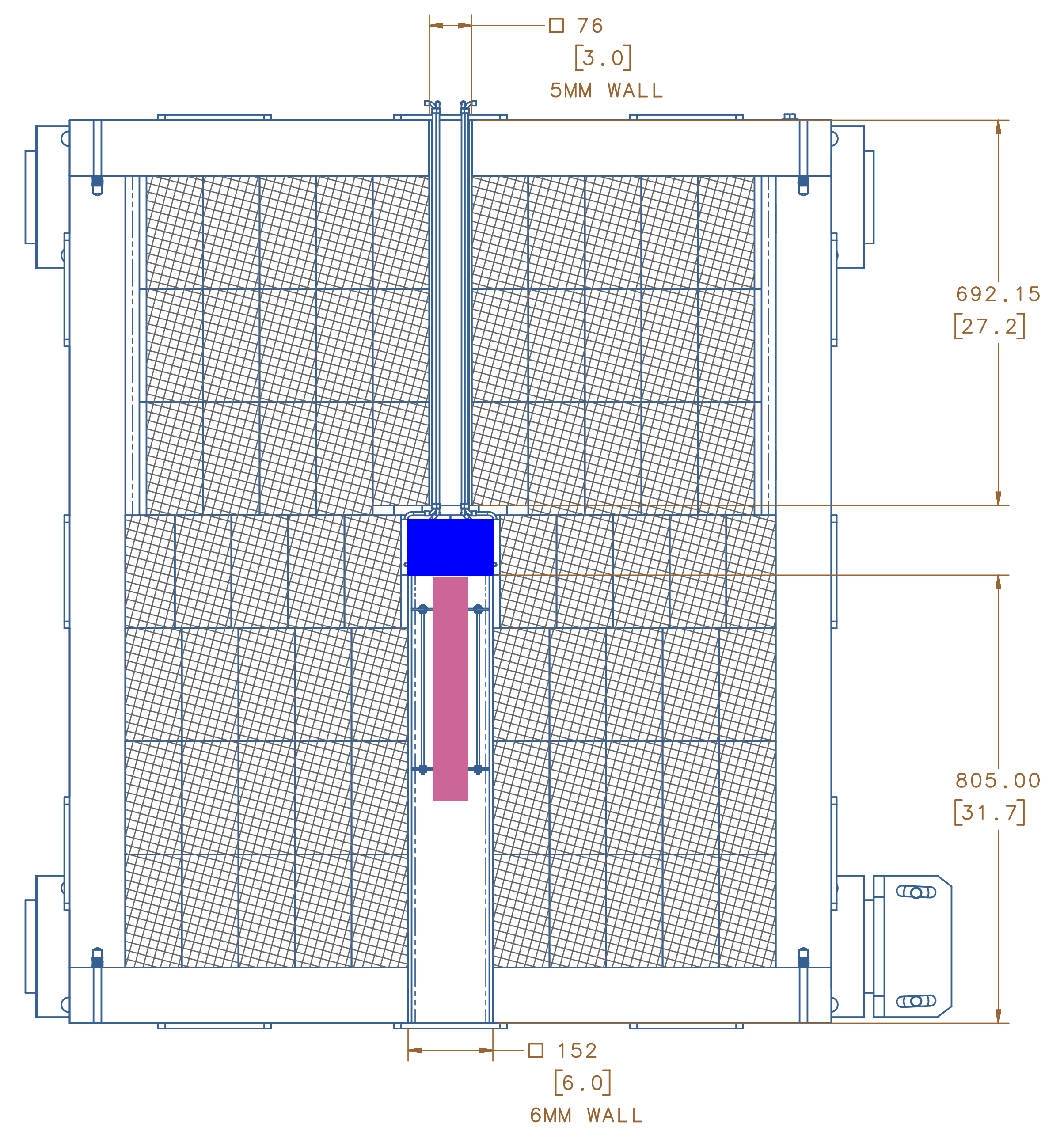
FINISH MACHINED SURFACES UNLESS OTHERWISE NOTED
 DEBURR & BREAK ALL SHARP EDGES

DO NOT SCALE DRAWING

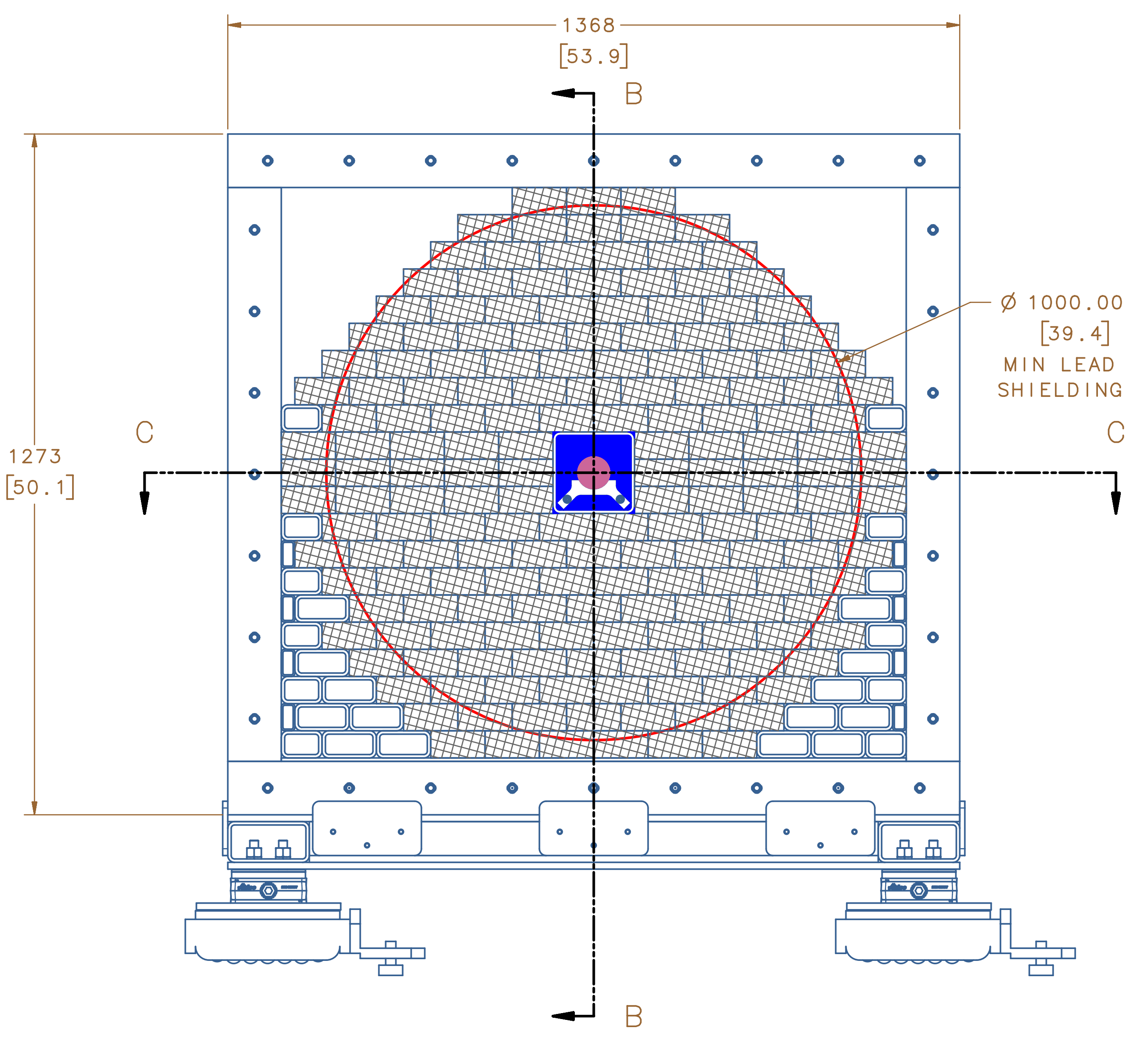
THIRD ANGLE PROJECTION

UNITED STATES DEPARTMENT OF ENERGY
 Thomas Jefferson National Accelerator Facility
 Newport News, Virginia

BEAM ↑

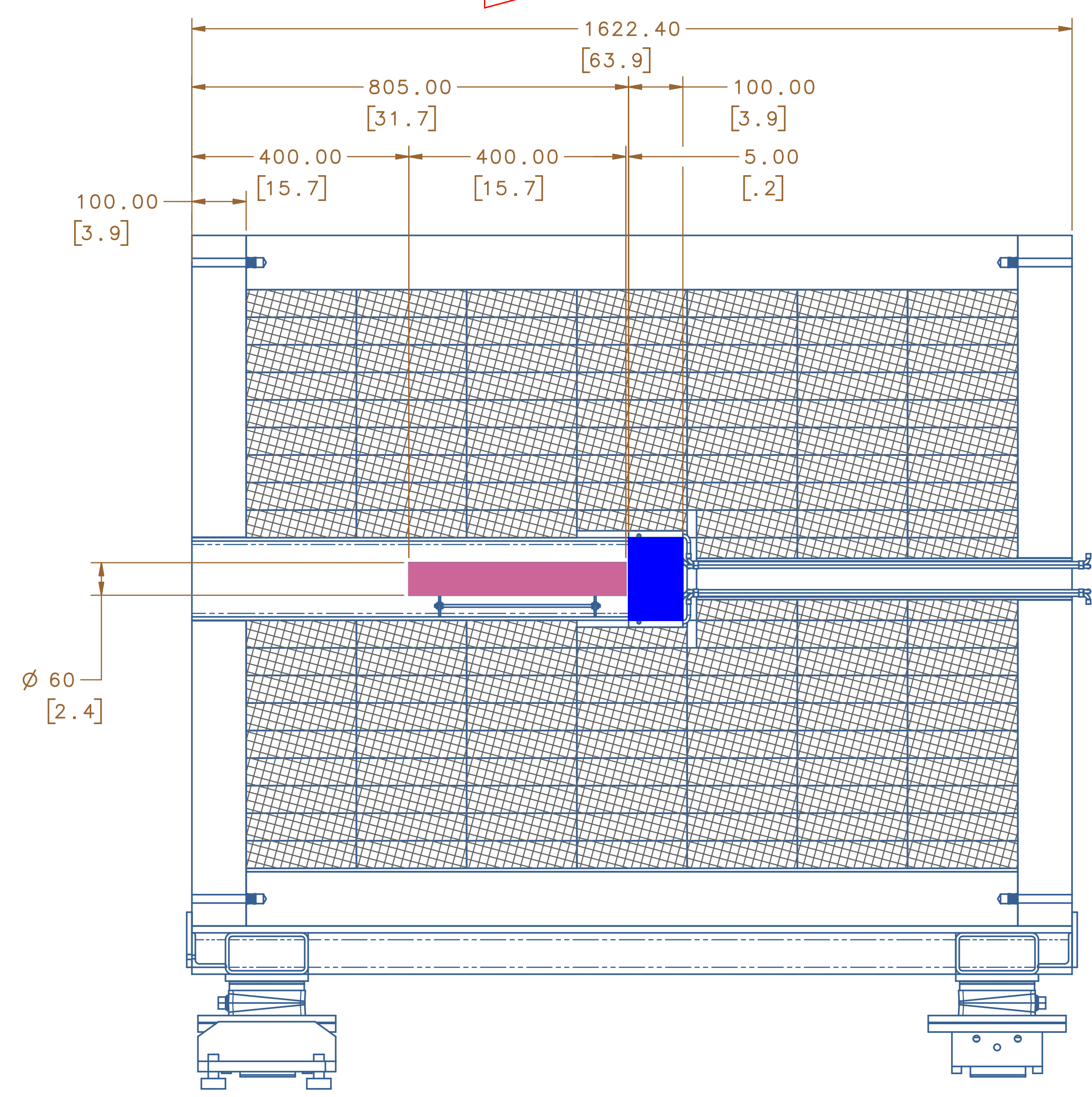


SECTION C-C



US BORATED POLYETHYLENE REMOVED FOR CLARITY

BEAM →



SECTION B-B