

SECOND FLOOR PLAN

SCALE: 1/8" = 1'-0"

NOTES:

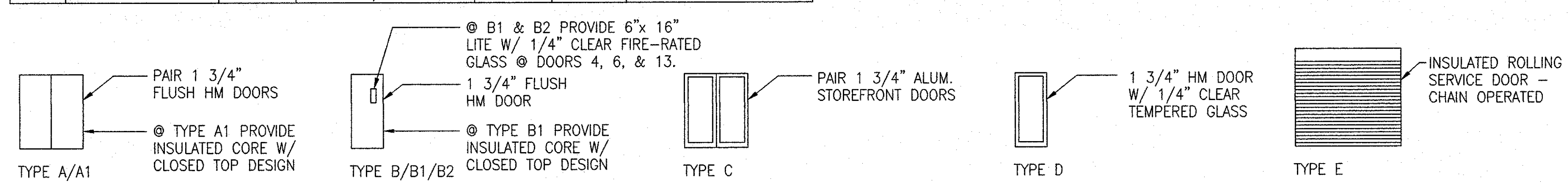
- SEE SHEET A-1 FOR PLAN ABBREVIATIONS.
- SEE STRUCTURAL DRAWINGS FOR FLOOR PENETRATION LOCATIONS TO ENCLOSURE BELOW.
- PROVIDE 7/8" FURRING CHANNELS ON CONTROL ROOM SIDE OF STUDS CLEAR OF STRUCTURAL BRACING FROM COLUMN ENCLOSURE @ B.5/12 TO COLUMN ENCLOSURE @ C/12.
- SEE SHEET A-10 FOR GB COLUMN ENCLOSURES KEYED TO STRUCTURAL COLUMN DESIGNATIONS.

DOOR SCHEDULE

MARK	SIZE	DOOR TYPE	FRAME DETAIL	HDW SET	LABEL	NOTES
MARK	WIDTH	HEIGHT				
1	6'-0" X 7'-0"	C	11/A7, 10/A8, 9/A8	H-1		SEE ELEV. H/A8
2	6'-0" X 7'-0"	C	7/A11, 11/A8			SEE ELEV. H/A8
3	3'-0" X 7'-0"	B	4/A10	H-2	45 MIN	
4	3'-0" X 7'-0"	B2	9/AB, 7/AB	H-3	45 MIN	SEE ELEV. J/A8
5	8'-0" X 7'-0"	A1	9/A4	H-4		
6	3'-0" X 7'-0"	B2	9/AB	H-3	45 MIN	
7	4'-0" X 7'-0"	B2	4/A10	H-5		
8	4'-0" X 7'-0"	B2	4/A10	H-5		
9	4'-0" X 7'-0"	B2	4/A10	H-6		
10	10'-0" X 8'-0"	E	6/A10			
11	3'-0" X 7'-0"	B	5/A10	H-7		
12	6'-0" X 7'-0"	A1	9/A4	H-8		
13	3'-0" X 7'-0"	B2	9/AB, 7/AB	H-3	45 MIN	SEE ELEV. J/A8
14	3'-0" X 7'-0"	B	9/AB	H-9		
15	3'-0" X 7'-0"	B	9/AB	H-9		
16	3'-0" X 7'-0"	B	4/A10	H-10		
17	3'-0" X 7'-0"	D	4/A10	H-10		
18	3'-0" X 7'-0"	B	4/A10	H-3		
19	6'-0" X 7'-0"	A	4/A10	H-11		
20	6'-0" X 7'-0"	A	4/A10	H-11		

DOOR SCHEDULE

MARK	SIZE	DOOR TYPE	FRAME DETAIL	HDW SET	LABEL	NOTES
MARK	WIDTH	HEIGHT				
21	8'-0" X 7'-0"	A	4/A10	H-11		
22	6'-0" X 7'-0"	A	4/A10	H-11		
23	6'-0" X 7'-0"	A	4/A10	H-11		
24	6'-0" X 7'-0"	A	4/A10	H-11		
25	6'-0" X 7'-0"	A	4/A10	H-11		
26	8'-0" X 8'-0"	A1	10/A4, 9/A4	H-4		
27	3'-0" X 7'-0"	B1	9/A4	H-13		
28	3'-0" X 7'-0"	B	4/A10	H-3		
29	3'-0" X 7'-0"	B	9/A4	H-12		NO LITE



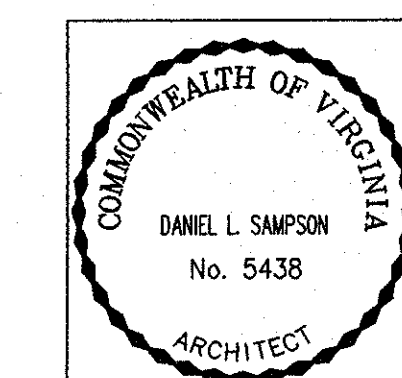
DOOR TYPES

N.T.S.

PLAN ABBREVIATIONS:

- FD - FLOOR DRAIN
- FC - FACE OF CONCRETE
- FOM - FACE OF MASONRY
- FOS - FACE OF STUD
- FEC - FIRE EXTINGUISHER CABINET - SEE DETAIL 3/A10
- PDA - PENETRATION DETAIL "A" - SEE DETAIL 1/S6
- PDB - PENETRATION DETAIL "B" - SEE DETAIL 7/S6
- PDC - PENETRATION DETAIL "C" - SEE DETAIL 7/S6

DCG



AS-BUILT	JMB	5-19-98	
AMENDMENT #1	HFF	4-16-96	
SYM.	ZONE	DESCRIPTION	DATE
REVISIONS			

USER		PLANT ENGINEERING CIVIL/CONSTRUCTION	
CONCEPT REVIEWED	DATE	DESIGNER	DATE
		DLS	3-29-96
CHECKED	DATE	DRAWN	DATE
		HFF	3-29-96
APPROVED	DATE	APPROVED	DATE

CEBAF
The Continuous Electron Beam Accelerator Facility
NEWPORT NEWS, VIRGINIA
UNITED STATES DEPARTMENT OF ENERGY

TITLE:			
FEL FACILITY SECOND FLOOR PLAN			
SCALE	DRAWING NUMBER	FILENAME	SHEET
AS NOTED	9648-1835-007	A2	A-2
REV	DATE	BY	DESCRIPTION
1			

