

LERF Progress

Kevin Jordan

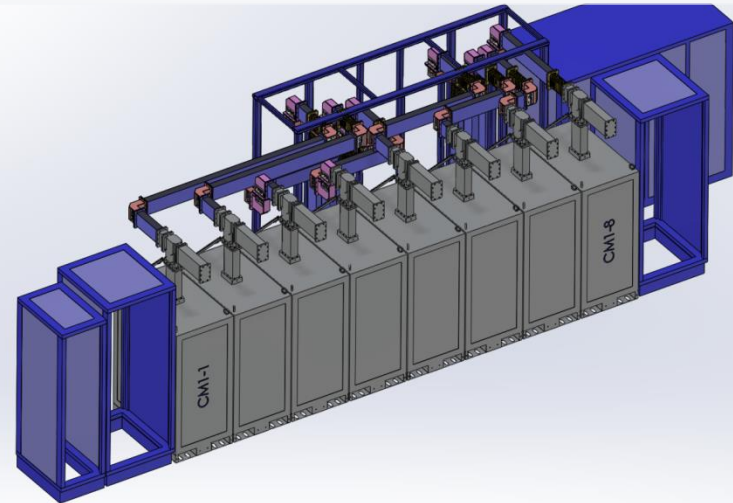
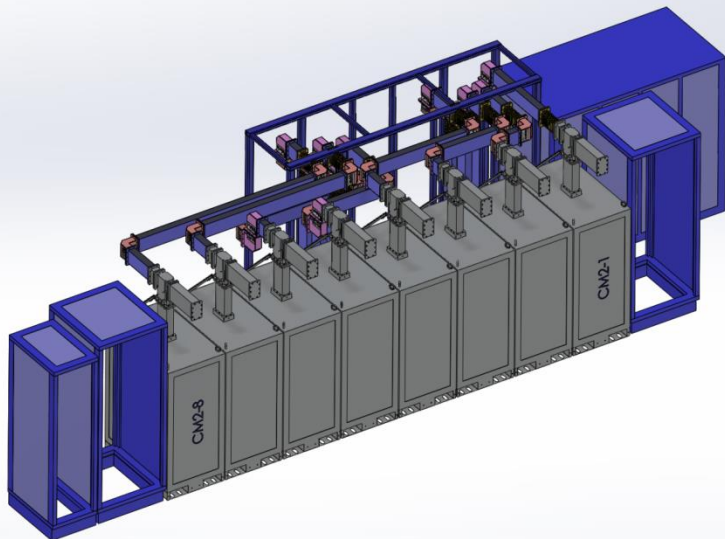
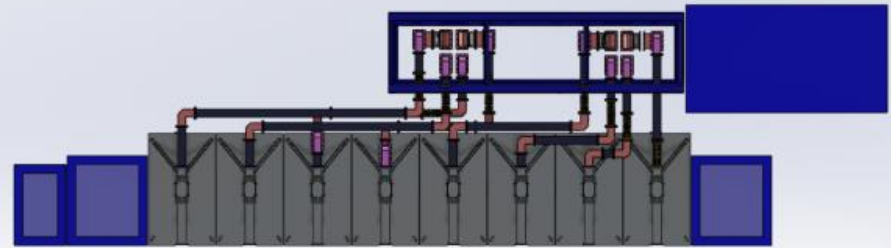
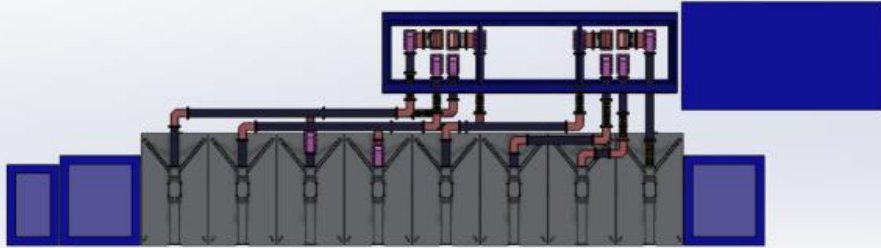
Oct 10, 2017

Gallery Layout for SSAs & Waveguide

- Power removed from CPS/HPA
 - New 480VAC panel installation ready to start

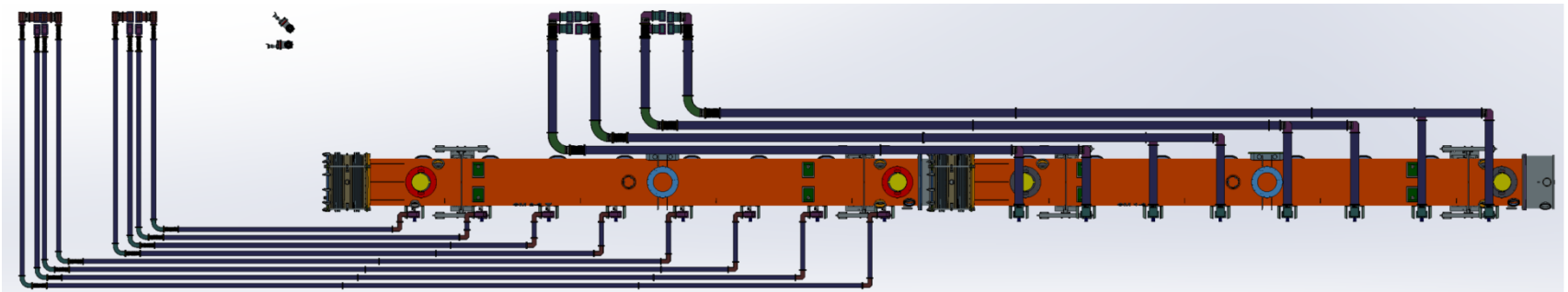
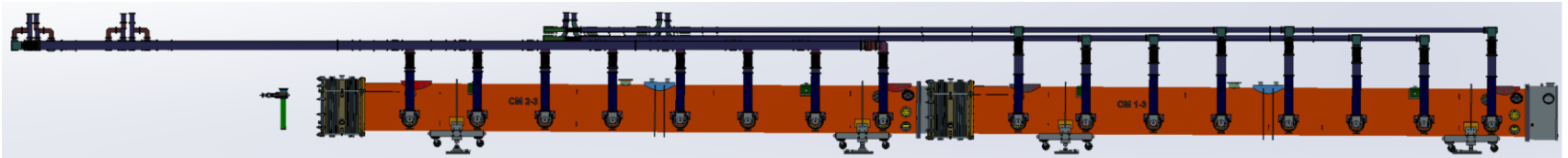
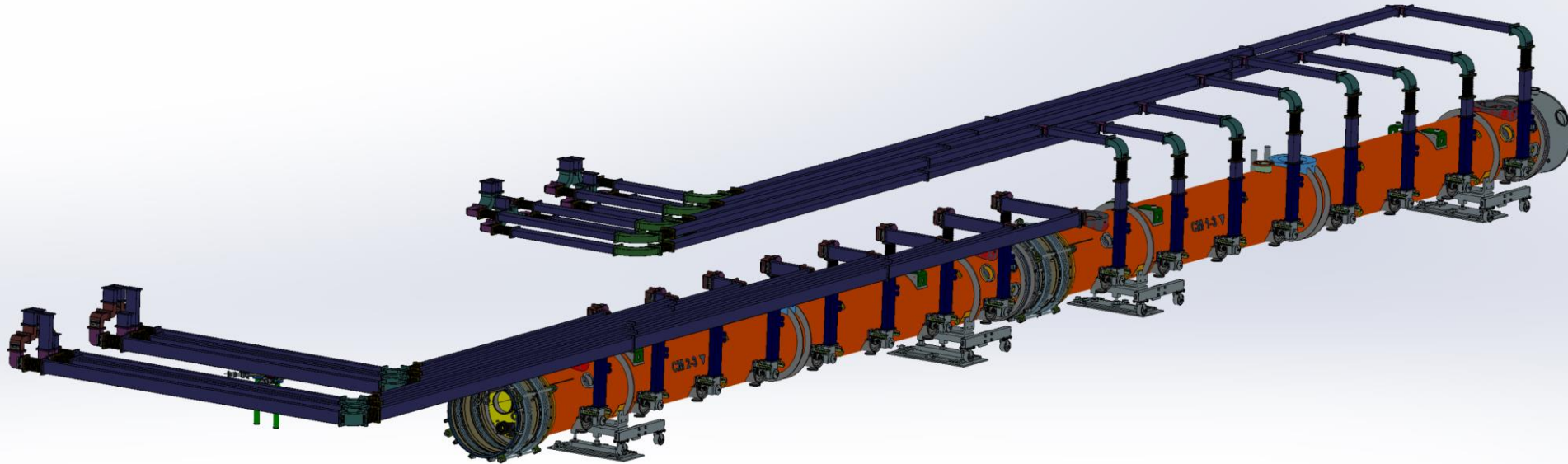


Gallery Layout for SSAs & Waveguide



Tunnel Layout for CMs & Waveguide

- Waveguide review tomorrow (10/11/17)
 - Requisition submitted this week



Other Progress...

- Preliminary Hazard Analysis complete & signed off
- Safety Assessment Document in progress
- Facilities Management Assessment complete
 - Minimal impact on building
 - No additional fire heads required
 - Sufficient AC power & cooling water available
 - Egress OK for placement of SSAs
- CMs & transfer line in LERF warm & ready for CM shuffle
 - Waiting on crew – Jlab @2K today...
- Cryo-box & U-Tube connections progressing well
- Wiki.jlab.org/lerf
 - WIKI setup for one stop shopping

